



Instruction manual for COOKER HOODS

Model code: VIE550BK - VIE550SS



Contact Caple on 0844 800 3830 or for spare parts www.4caple.co.uk

GB



The symbol on the product or on its packaging indicates that this product may not be treated as household waste. Instead it shall be handed over to the applicable collection point for the recycling of electrical and electronic equipment. By ensuring this product is disposed of correctly, you will help prevent potential negative consequences for the environment and human health, which could otherwise be caused by inappropriate waste handling of this product. For more detailed information about recycling of this product, please contact your local city office, your household waste disposal service or the shop where you purchased the product. This appliance is marked according to the European directive 2002/96/EC on waste electrical and electronic equipment (WEEE).

CONTENTS

GB

Warnings

Uses

Installation


Working


Maintenance

WARNINGS

* The appliance is not intended for use by young children or infirm persons without supervision. Young children should be supervised to ensure they do not play with the appliance.

* The cooker surface and the inferior part of the cooker hood must be at a minimum distance of 65 cm.

If the rating label in the cooker-hood shows the symbol  , the appliance is built in class II° and it does not need any earth connection.

If the rating label in the cooker-hood does not show the symbol  , the appliance is built in class I° and it needs the earth connection.

* When performing the electrical connections on the appliance, please make sure that the current-tap is provided with earth connection and that voltage values correspond to those indicated on the label placed inside the appliance itself.

* Before carrying out any cleaning or maintaining operations, the appliance needs to be removed from the electric grid. If the appliance is not provided with a non-separable flexible cable and plug, or with another device ensuring omnipolar disconnections from the grid, with an opening distance between the contacts of at least 3 mm, then such disconnecting devices must be supplied within the fixed installation.

If the fixed appliance is endowed with a supply cord and a plug, the appliance has to be put in a place where the plug can be reached easily.

* The use of materials which can burst into flames should be avoided in close proximity of the appliance. When frying, please pay particular attention to fire risk due to oil grease. Being highly inflammable, fried oil is especially dangerous. Do not use uncovered electric grills.

In order to avoid possible fire risk, all instructions for grease-filter cleaning and for removing eventual grease deposits should be strictly followed.

USES

The appliance can only be used in the filtering version, so it is equipped with metal grease filters and activated charcoal filters.

INSTALLATION

Make sure that the packaging is in perfect conditions and that none of the components inside is damaged : in case of damaged components, please contact your retailer and do not carry out installation. Read all of the following instructions before carrying out installation.

VIE50BK Installation

Place the fixing plate (Fig.1) into the ceiling, in a position which coincides with the centre of your cook-top, then drill the holes and fix the plate by using the screws and screw anchors supplied with the appliance. The power cord needs to pass through the plate hole, which is shown by the arrow in Fig.1.

Remove the appliance from its packaging and place it in a suitable area, where it is not likely to be damaged.

Fix the articulated rod to the product by inserting and tightening the fixing screw, as shown in Fig. 2.

Adjust the height of the appliance , making sure a minimum distance of at least 65 cm is maintained between the lowest part of the hood and the cook-top; height adjustment can be done by loosening the rod fixing screws , adjusting the appliance height and then by fastening them again.

Insert the fixing plate cover from the rod upper part, as per Fig. 3.

Hang the appliance to the fixing plate, and secure the plate by using the two screws supplied with the appliance, as shown in Fig. 4.

Make the electric connection.

Lift the fixing plate cover and secure it with the screws supplied with the appliance, as shown in Fig. 5.

WORKING

Remote control for cooker hood remote fig. 6.

Technical data:

Alkaline battery powered: 12v mod. 23A

Operating frequency: 433.92 Mhz

Combinations: 4096

Max. consumption: 25mA

Operating temperature: -20° : +55°C

- To light the cooker hood on or to light it off press the button:



- To increase the speed up to the fourth one press the button:



- To reduce the speed up to the second one press the button:



- To go from a high speed back to the first one press twice the button:



- To give power to the lights or to shut them down press the button:



- To set the timer up press the button:



The LED on the right side will start to flash (every 5 seconds), the hood will work for 10 minutes at the selected speed and then it lights automatically off. If the client increases or reduces the speed while the timer is on, this is automatically stopped.

Remark: At every selected function, the LED lights on accordingly.

Standard configuration

If two cookerhoods–radiocontrol system are installed in the same room or in the immediate vicinity, each system may affect the operation of the other, due to the fact that they have the same code. Therefore it will be necessary to change the code of one of the radio controls.

Warning:

The battery should be replaced every year to guarantee the optimal range of the transmitter. To replace the exhausted battery, take the plastic lid off, remove the battery and replace it with a new one, observing the correct battery polarities. Used batteries should be discarded in special collection bins.

Emergency button:

In case of radio control malfunctioning, to switch off the appliance just press the emergency button (Fig. 7) placed near the lighting lamp. After fixing reset the emergency button.


The luxury products are endowed with an electronic device which allows the automatic switching off after 4 hours working from the last operation.

Generating a new transmission code

The radiocontrol is supplied by the manufacturer with default codes stored. If you want to create a new set of codes, proceed as follows:press and hold the UP, STOP and DOWN buttons simultaneously for 2 seconds. Afterthe LEDS light up, press the UP and DOWN button swithin 5 seconds. The LEDS will flash 3 times to indicate that the process is completed.

WARNING: This procedure deletes all previously stored codes.

Learning the new transmission code

After changing the transmission code on the radio control, the cooker hood electronic control unit must be made to set the new code as follows: Disconnect the appliance from the electric network and then re-connect it ; press  the light key within the next 15 seconds, in order to synchronize the cooker–hood with the new code.

MAINTENANCE

An accurate maintenance guarantees good functioning and long-lasting performance.

A special care is due to the grease filter.

VIE550BK grease filters replacement

Remove the lower cylindrical plate as shown in Fig. 7, by pulling it downwards since it is magnetically hold.

Remove the grease filters by acting on their handle.

After 30 hours of operation of the cooker-hood, the remote control will signal the filter saturation by the simultaneous lighting of led indicators; to reset, select the timer function when the cooker-hood is off ☹.

The metal grease filter can be washed by hand or in the dishwasher.

The grease filter needs regular cleaning depending on its use, once every two months at least.

The charcoal filter needs to be replaced depending on its use, once every six months at least.

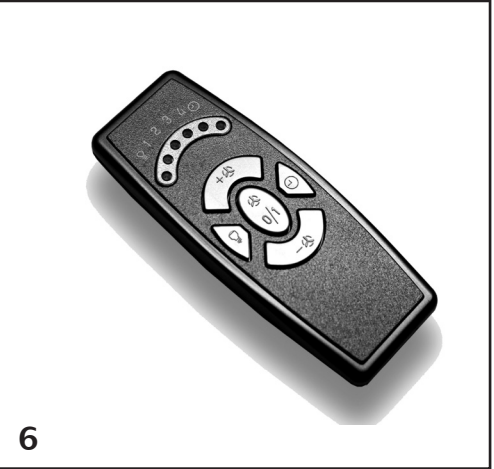
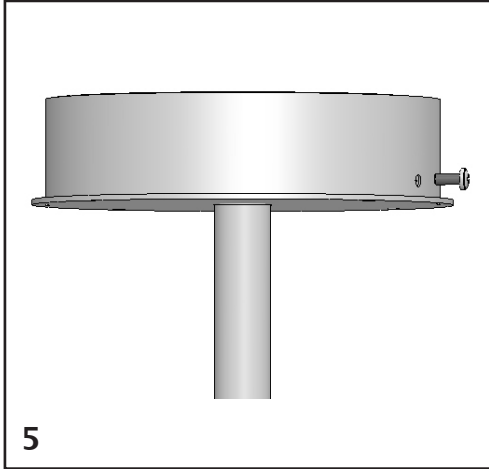
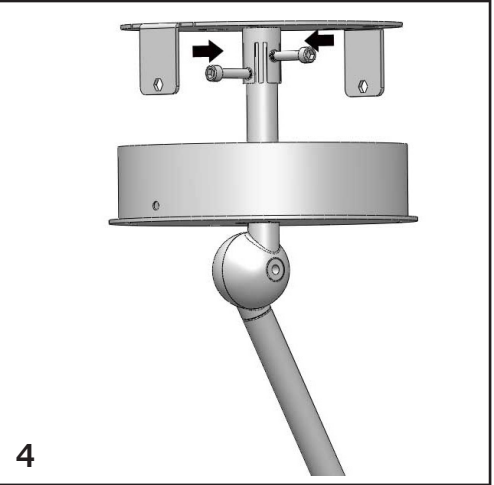
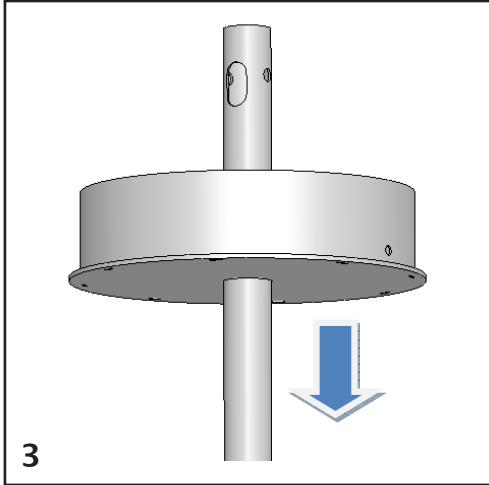
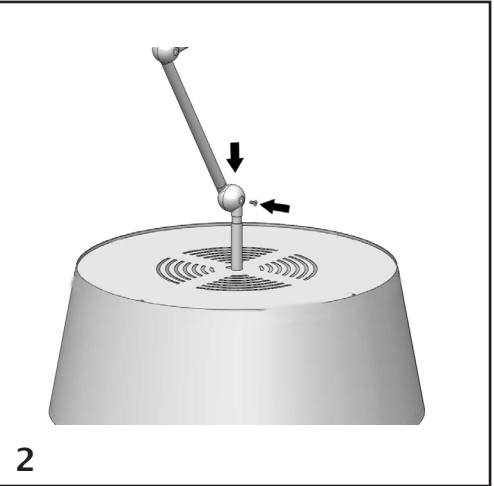
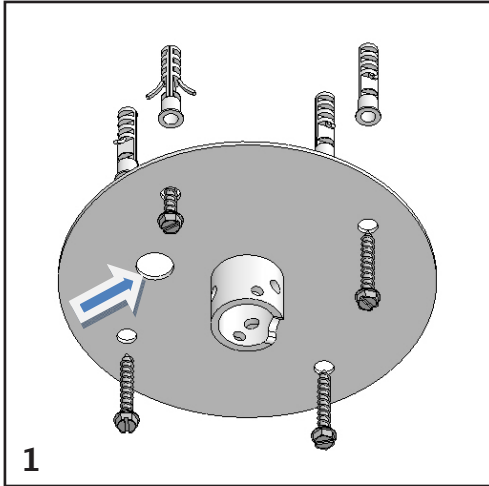
We recommend to use tepid water and a neutral detergent to clean the appliance, while abrasive products should be avoided .

The power cord replacement must be carried out by specialized personnel only.

LED VIE550BK lamps replacement:

Remove the cooker-hood upper cover by removing the 4 fixing screws , find the damaged LED lamp and replace it with a new one with the same characteristics.

Refit the upper cover.





7

