



Wall chimney extractor Instruction manual

Models: TAU760 - NOV800



Contact Caple on 0117 938 7420 or for spare parts www.caple.co.uk

www.caple.co.uk

CONTENTS

GB

Warnings

Uses

Installation

Working

Maintenance



ENVIRONMENTAL PROTECTION

Waste electrical products should not be disposed of with household waste. Please recycle where facilities exist. Check with your Local Authority or retailer for recycling advice. This appliance is marked according to the European directive on Waste Electrical and Electronic Equipment (WEEE).

By ensuring this product is disposed of correctly, you will help prevent potential negative consequences for the environment and human health, which could otherwise be caused by inappropriate waste handling of this product. The symbol on the product indicates that this product may not be treated as household waste. Instead it shall be handed over to the applicable collection point for the recycling of electrical and electronic equipment. Disposal must be carried out in accordance with local environmental regulations for waste disposal.

For more detailed information about treatment, recovery and recycling of this product, please contact your local council, your household waste disposal service or the retailer where you purchased the product

CE DECLARATIONS OF CONFORMITY



This appliance has been manufactured to the strictest standards and complies with all applicable legislation, Low Voltage Directive (LVD) and Electromagnetic Compatibility Directive (EMC).

WARNINGS


*** The appliance is not intended for use by young children or infirm persons without supervision. Young children should be supervised to ensure they do not play with the appliance.**


*** The cooking surface and the lower part of the extractor must be at a minimum distance of 500mm**

*** The air extracted can't be conveyed through or into a duct used to let out fumes from appliances fed by energy other than electric power(eg. centralised heating, radiators, waterheaters, etc.).**

*** To duct out the air outlet, please comply with the pertaining rules given by competent authorities.**

* Provide the room with an adequate aeration when an extractor and appliance fed by energy other than electric power (gas, oil, or coal stoves, etc.) are used simultaneously. The cooker hood, when evacuating the extracted air, could generate a negative pressure in the room (which can't exceed the limit of 0.04 mbar, in order to avoid the extraction of exhausts deriving from the heat source). Therefore the room should be provided with air-intakes to allow a constant flow of fresh air.

If the rating label in the extractor shows the  symbol, the appliance is built in class II° and it does not need any earth connection.

If the rating label in the extractor does not show the symbol , the appliance is built in class I° and it needs the earth connection.

* When performing the electrical connections on the appliance, please make sure that the current tap is provided with earth connection and that voltage values correspond to those indicated on the rating label placed inside the appliance itself.

* Before carrying out any cleaning or maintaining operations, the appliance needs to be removed from the electric grid. If the appliance is not provided with a non-separable flexible cable and plug, or with another device ensuring omnipolar disconnections from the grid, with an opening distance between the contacts of at least 3 mm, then such disconnecting devices must be supplied within the fixed installation.

If the fixed appliance is endowed with a supply cord and a plug, the appliance has to be put in a place where the plug can be reached easily.

USES

*** The use of materials which can burst into flames should be avoided in close proximity of the appliance. When frying, please pay particular attention to fire risk due to oil grease. Being highly inflammable, fried oil is especially dangerous. Do not use uncovered electric grills. In order to avoid possible fire risk, all instructions for grease filter cleaning and for removing eventual grease deposits should be strictly followed.**

The appliance is already arranged both for recirculating and vented performances.

* In **Recirculation mode** (Fig. 1), the air and fumes extracted by the appliance are cleaned by both a grease filter and by an active charcoal filter, and then recycled back into the room through the side-grids of the chimney. For this version an air deflector placed on the superior part of the pipe and allowing air recycling is necessary (Fig. 1A).

* In **Vented mode** (Fig. 2), fumes are directly conveyed outside, through a ducting channel connected to the ducting spigot located on the top of the appliance. Both charcoal filter and air deflector are not necessary in this case.

INSTALLATION

Before installing the appliance, make sure that none of the parts are damaged in any way. In case of damaged parts, contact your retailer and do not proceed with installation.

Read all of the following instructions with care before installing the appliance.

- Use an air outlet pipe of the shortest possible length.
- Limit the number of pipe bends.
- Use a material approved by standards and regulations.
- Avoid any sudden changes in ducting dimensions (we recommended a constant diameter of 150 mm or equal surface area).
- The manufacturer shall not respond for air capacity or noise problems due to non compliance with above mentioned instructions, and no warranty shall be given for such installations.

The **TAU760** extractors have been designed to have the possibility of directing the air outlet to the rear of the appliance, instead of out of the top; if you choose to use this function, it is necessary to remove the x10 screws from the motor unit (Fig. 3), remove the motor unit and rotate it in such a way to direct the air outlet spigot towards the rear side of the appliance (Fig. 4); then place the motor unit back into position and tighten the screws previously removed.

By using the drilling template (Fig. 5A), drill the holes for the wall bracket installation;

Appliances shall be installed at a minimum distance of 500mm from the cooking surface. Drill the remaining holes indicated by the hole drilling template.

Fix the brackets to the wall, by using the wall plugs and screws supplied with the product; Hang the body (Fig. 6) to the wall brackets previously fixed.

Tighten the two screws into the wall bracket (Fig. 7A), as they are necessary for the appliance to secure to the wall. Then check that the hood is perfectly flush with the wall, otherwise adjust the screws shown in Fig.7B. Tighten the screw if you need to lift up the corresponding side, or unscrew it, in case you need to reduce the height.

TAU760

Remove the metal grease filters, which are magnetically secured to the appliance, by using either a hand tool or a knife edge. Act on the slot found in the filter sides, as shown in Fig. 8. Fix the appliance to the wall with the screws provided, as per Fig. 11.

NOV800

Open the front panel by pulling the lower side upwards, as shown in Fig. 7, then remove the grease filter. Fix the appliance to the wall with the screws provided, as per Fig. 11.

Vented mode

Using the supplied wall plugs and screws, fix the chimney support bracket (Fig. 12) to the wall and/or the ceiling. The bracket must be fixed in a central position in respect of the air outlet flange. Connect the motor air outlet flange to the ducting by using a suitable pipe. Perform the electric connection. Place the two ornamental pipes on the hood body; lift the internal pipe up until it reaches the ceiling; then fix it to the pipe bearing bracket, by using the two self-threaded screws provided.

Recirculation mode

Install the air outlet grill above the hood in the relative seat (refer to Fig. 13). The stainless steel chimneys are not necessary.

TAU760

The charcoal filters are installed directly onto the rear side of the grease filters (see Fig. 14).

NOV800

The charcoal filters are installed as shown in Fig. 15, by fitting it into its seat which is found just behind the metal grease filter.

Charcoal filters should be replaced accordingly to the effective use of the hood, and in any case at least once every 6 months.

To purchase replacement charcoal filters, please visit www.caple.co.uk or call our sales office on 0117 938 1900.

Note: Charcoal filters do not come included, and must be ordered separately if required.

WORKING

Control panel

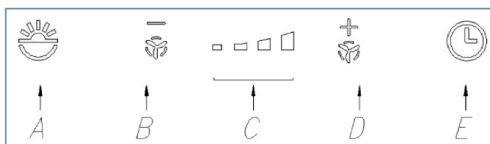
A: Light switch On/Off

B: Reduce speed / OFF

C: Selected speed indicator

D: ON / increase speed

E: 10 minute timer



The touch control key allows the function desired by touching the relative key.

If the electrical power supply to the product is cut, 15 seconds are needed for self diagnostics after the functions are restored.

In the meanwhile, its operation may be incorrect.

TIMING

As a result of the new EU65 “Energy label” and EU66 “Ecodesign” regulations issued by the European Commission, which came into force as from January 1st, 2015, our products have been adapted to comply with these new requirements.

All of the models complying with the energy label requirements, are equipped with new electronics including a timer device for suction speeds control, when the air capacity exceeds 650m³/h.

Internal motor models, with maximum air capacity higher than 650m³/h, are equipped with a timer device that automatically switches the suction speed from 4th to 3rd speed, after 6 minutes operation.

The energy consumption of the appliance in stand – by mode is lower than 0.5W.

MAINTENANCE

An accurate maintenance guarantees good functioning and long lasting performance.

Particular care is due to the grease filter. It can be removed by following the instructions below.

The saturation of the filter is indicated by the flashing speed indicators (Fig. 16C). Press the timer button to reset.

The grease filter needs cleaning regularly by either hand washing or in the dishwasher. We recommend cleaning every two months at least or depending on its use.

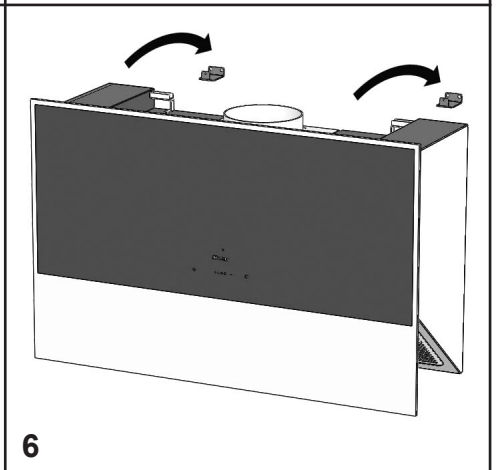
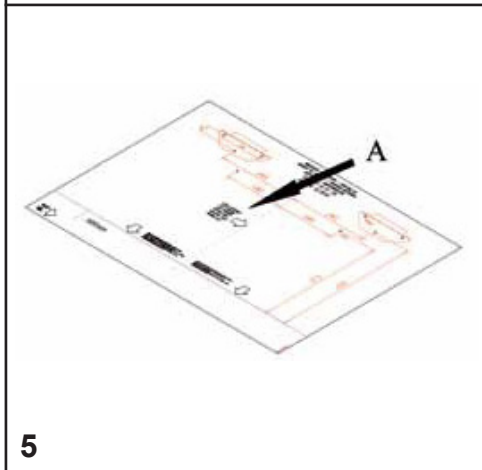
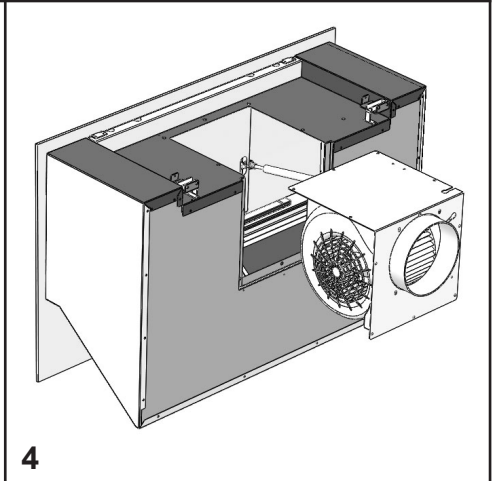
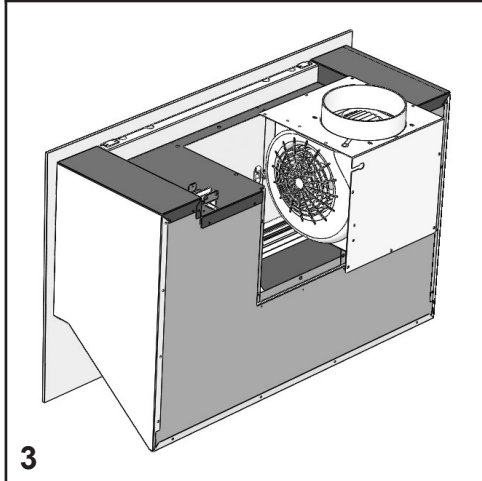
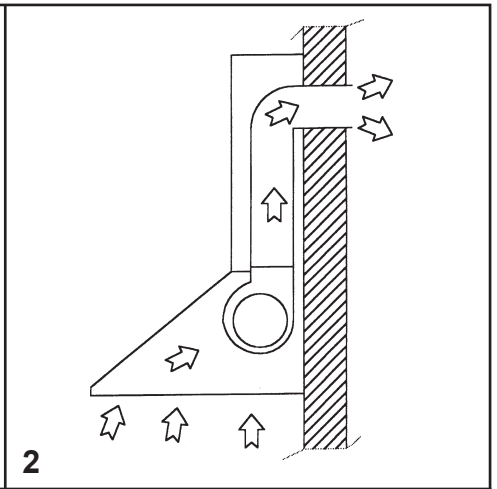
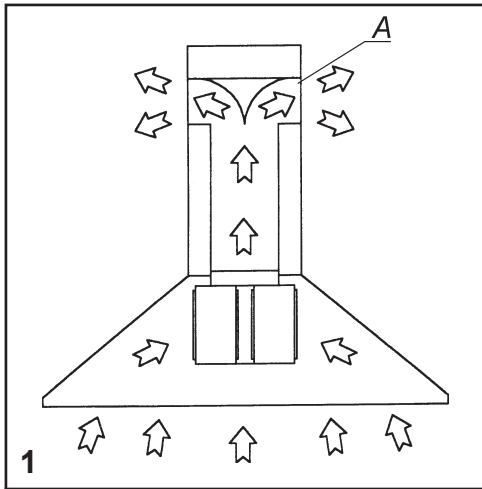
In case the appliance is used in Recirculation mode, the active charcoal filter needs to be periodically replaced.

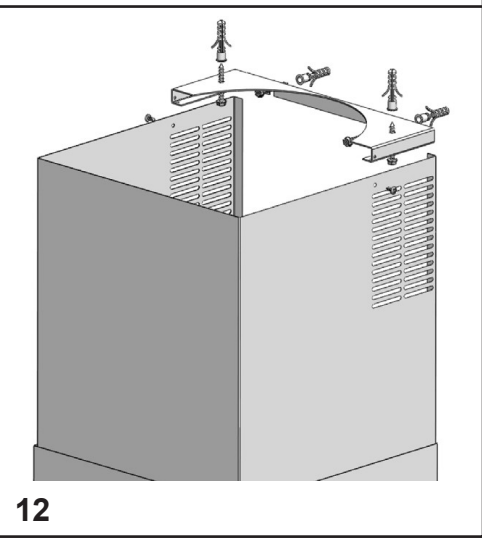
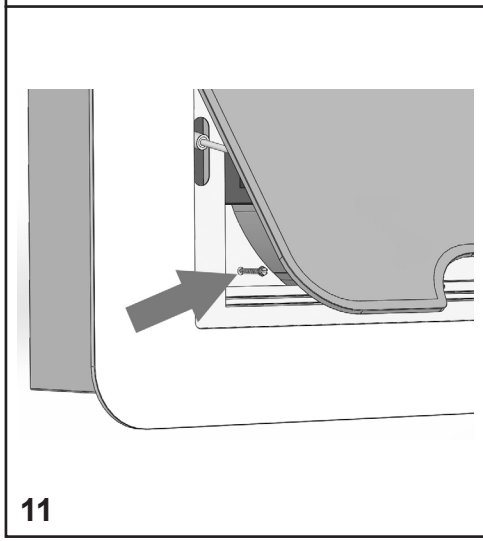
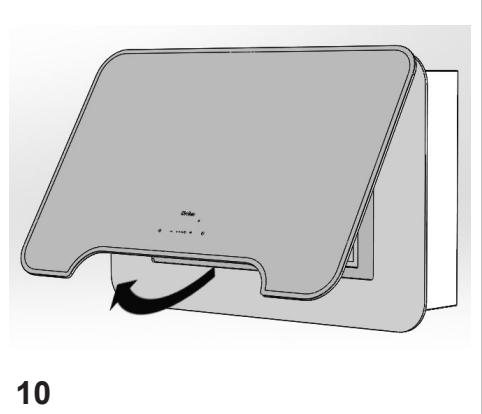
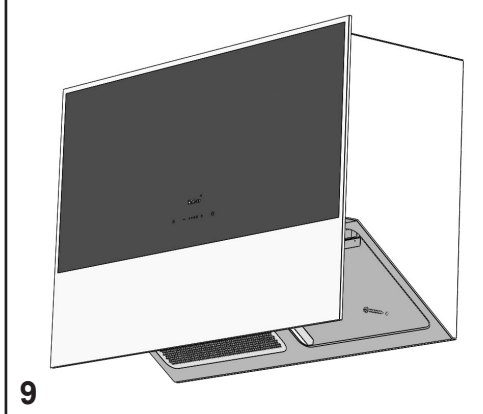
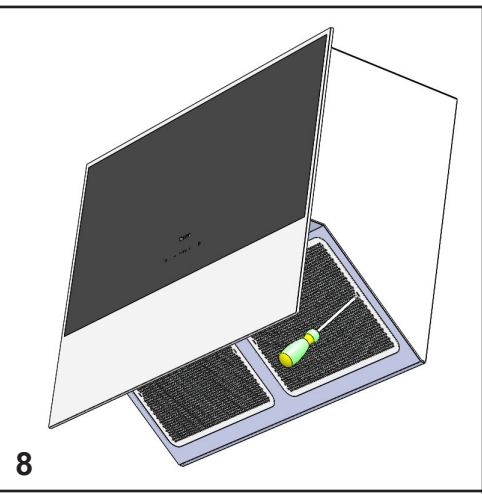
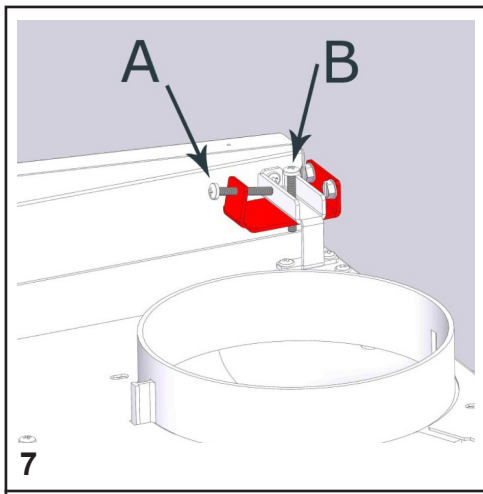
To clean the appliance itself tepid water and neutral detergent are recommended, while abrasive products should be avoided.

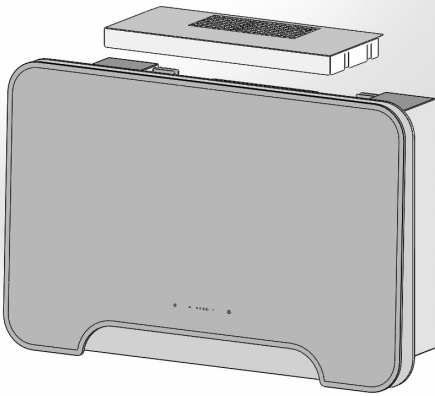
The power cord shall be replaced by authorized personnel only.

Substitution of the LED bar:

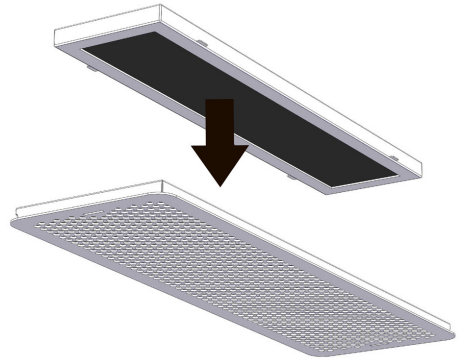
Using an appropriate tool, remove the LED bar from its seat (refer to Fig. 17), disconnect it electronically using the appropriate connector then substitute it with a LED bar with same characteristics.



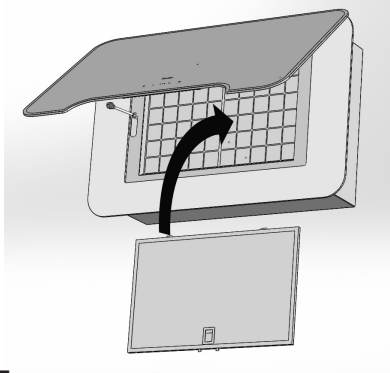




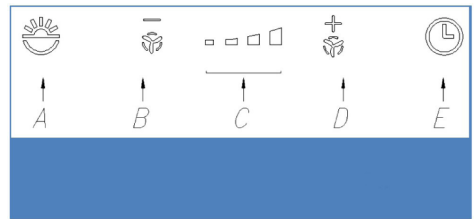
13



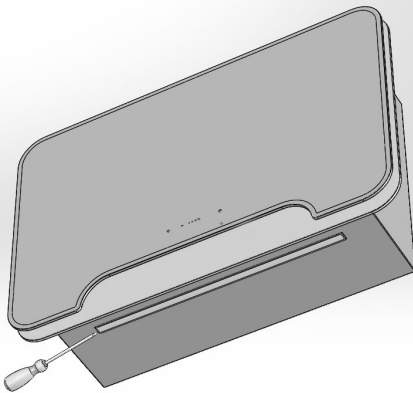
14



15



16



17

Caple Service
Fourth Way
Avonmouth
Bristol
BS11 8DW

t: 0117 938 7420
e: service@caple.co.uk
www.caple.co.uk