



Pyra Ceramic Wall Hood Instruction Manual

PYR600



Contact Caple on 0117 938 7420 for spare parts or www.caple.co.uk

CONTENTS

Safety Instructions	3
Environmental Protection	7
Uses	9
Installation	10
Control Panel	15
Timing	16
Lighting	17
Cleaning and Maintenance	18
Caple Contact Details	20

WARNING:

- The appliance is not intended for use by young children or infirm persons without supervision. Young children should be supervised to ensure they do not play with the appliance.
- The cooking surface and the inferior part of the cooker hood must be at a minimum distance of 65cm.
- The extracted air can't be conveyed through or into a duct used to let out fumes from appliances fed by energy other than electric power (eg. centralized heating, radiators, water-heaters, etc.).
- To evacuate the air outlet, please comply with the pertaining rules given by competent authorities.
- Provide the room with an adequate aeration when a cooker hood and appliances fed by energy other than electric power (gas, oil, or coal stoves, etc.) are used simultaneously. The cooker hood, when evacuating the extracted air, could generate a negative pressure in the room which can't exceed the limit of 0.04 mbar, in order to avoid the suck of exhausts deriving from the heat source. Therefore the room should be provided with air-intakes to allow a constant flow of fresh air.

- When performing the electrical connections on the appliance, please make sure that the current tap is provided with earth connection and that voltage values correspond to those indicated on the rating label placed inside the appliance itself.
- Before carrying out any cleaning or maintaining operations, the appliance needs to be removed from the electric grid. If the appliance is not provided with a non-separable flexible cable and plug, or with another device ensuring omnipolar disconnections from the grid, with an opening distance between the contacts of at least 3 mm, then such disconnecting devices must be supplied within the fixed installation.
- If the fixed appliance is endowed with a supply cord and a plug, the appliance has to be put in a place where the plug can be reached easily.
- The use of materials which can burst into flames should be avoided in close proximity of the appliance. When frying, please pay particular attention to fire risk due to oil grease. Being highly inflammable, fried oil is especially dangerous. Do not use uncovered electric grills. In order to avoid possible fire risk, all instructions for grease-filter cleaning and for removing eventual grease deposits should be strictly followed.
- This appliance complies with all relevant local and national safety requirements. Inappropriate use can, however, lead to personal injury and damage to property.

- The cooker hood is not intended for outdoor use.
- It must only be used as a domestic appliance to extract vapours and remove odours from cooking. Any other usage is not supported by the manufacturer and could be dangerous.
- Where a recirculation cooker hood is fitted above a gas hob, please ensure that there is an adequate supply of fresh air into the room in which it is installed. Please seek the advice of a qualified gas fitter (e.g. GasSafe in the UK) if necessary.
- Children under 8 years of age must be kept away from the cooker hood unless they are constantly supervised.
- Children 8 years and older may only use the cooker hood unsupervised if they have been shown how to use it safely and recognise and understand the consequences of incorrect operation.
- The electrical safety of this appliance can only be guaranteed when correctly earthed. It is essential that this standard safety requirement is met. If in any doubt please have the electrical installation tested by a qualified electrician.
- Do not connect the appliance to the mains electricity supply by a multi-socket unit or an extension lead. These are a fire hazard and do not guarantee the required safety of the appliance.
- The cooker hood can get very hot during cooking due to heat rising from the hob.

- Do not touch the housing or the grease filters until the cooker hood has cooled down.

APPROPRIATE USE:

- This appliance is intended to be used in household and similar applications such as:
 - › Staff kitchen areas in shops, offices and other working environments.
 - › Farm Houses.
 - › By clients in hotels, motels and other residential type environments.
 - › Bed and breakfast type environments.



ENVIRONMENTAL PROTECTION

Waste electrical products should not be disposed of with household waste. Please recycle where facilities exist. Check with your Local Authority or retailer for recycling advice. This appliance is marked according to the European directive on Waste Electrical and Electronic Equipment (WEEE).

By ensuring this product is disposed of correctly, you will help prevent potential negative consequences for the environment and human health, which could otherwise be caused by inappropriate waste handling of this product. The symbol on the product indicates that this product may not be treated as household waste. Instead it shall be handed over to the applicable collection point for the recycling of electrical and electronic equipment. Disposal must be carried out in accordance with local environmental regulations for waste disposal.

For more detailed information about treatment, recovery and recycling of this product, please contact your local council, your household waste disposal service or the retailer where you purchased the product.

WARRANTY

Your new appliance is covered by warranty. The warranty card is enclosed - if it is missing, you must provide the following information to your retailer in order to receive a replacement: date of purchase, model and serial number. Registration can also be completed online by visiting www.caple.co.uk.

Ensure you keep your warranty card safe, you may need to show it to Caple Service together with proof of purchase. If you fail to show your warranty card you will incur all repair charges.

Spare parts are only available from Caple Service and spare parts authorised centres.

CE DECLARATIONS OF CONFORMITY



This appliance has been manufactured to the strictest standards and complies with all applicable legislation, Low Voltage Directive (LVD) and Electromagnetic Compatibility (EMC).

UKCA DECLARATIONS OF CONFORMITY



This appliance has been manufactured to the strictest standards and complies with all applicable legislation.

TECHNICAL FICHE

This appliance conforms to all current and applicable energy regulations. To view the Technical Fiche that supports the energy labelling data, please visit the product page on our website www.caple.co.uk.

USES

The appliance is already arranged both for re-circulation and ducted installation.

- › In Recirculation mode (Fig.1), the air and fumes conveyed by the appliance are cleaned both by a grease filter and by an active charcoal filter, and put again into circulation through the top of the hood.
- › In ducted mode (Fig.2), fumes are directly conveyed outside, through ducting connected from the extractor to the outside. Both charcoal filter and air deflector are not necessary in this case.

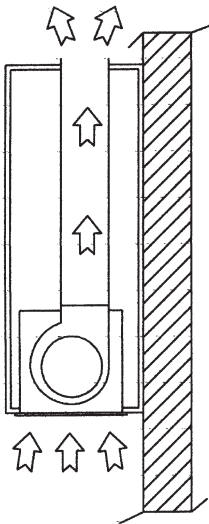


Fig.1.

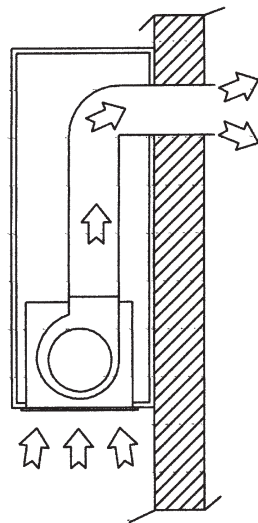


Fig.2.

INSTALLATION

Before installing the appliance, make sure that none of the parts are damaged in any way. In case of damaged parts, contact your retailer and do not proceed with installation.

Read all of the following instructions with care before installing the appliance:

- › If venting the hood, use an air outlet pipe of the shortest possible length.
- › Limit the number of pipe bends.
- › Use a duct of recognised and approved material.
- › Avoid any abrupt changes of direction and use a duct with a diameter of 150mm constant over the entire length.

NOTE:

For more information on venting, please see our 'Extraction & Ventilation guide' available at www.caple.co.uk

ATTENTION: AT LEAST TWO PEOPLE ARE NEEDED TO PERFORM THE INSTALLATION.

The cooker hood can be installed with top or rear ventilation. See 'Rear Ducted Version' section before proceeding with the following installation instructions.

Using the template (Fig.3A), drill the holes to install the hood onto the wall.

The cooker hood should be placed at a minimum distance of 65-76cm above the hob. It is the manufacturer of the hob who determines the clearance required and the clearance quoted by the hob manufacturer must be followed. In the absence of any instructions supplied with a gas hob the minimum distance between the hob and the hood must be at least 760mm.

Fix the hood to the wall using the dowels and screws supplied (Fig.4).

Open the front panel by lifting the lower section upwards (Fig.5) and remove the grease filter but pushing the lever down (Fig.6).

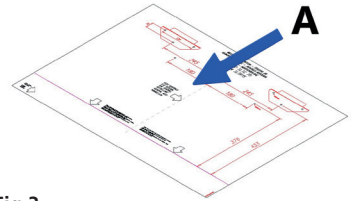


Fig.3

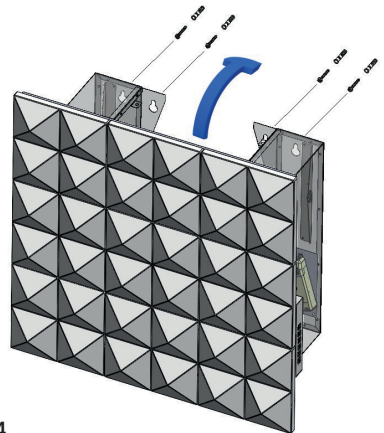


Fig.4

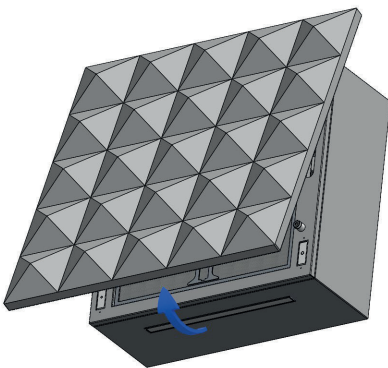


Fig.5

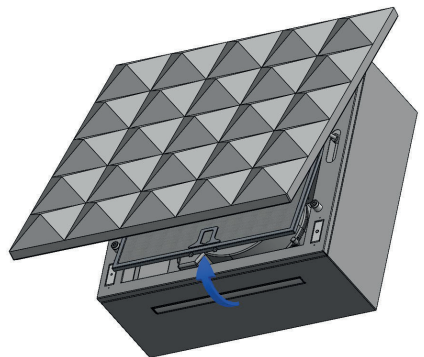


Fig.6

Fix the hood to the wall using the screws supplied (Fig.7).

DUCTED VERSION

- › Connect the large to the air evacuation hole with appropriate ducting.
- › Make the electrical connection by inserting the plug into the outlet.

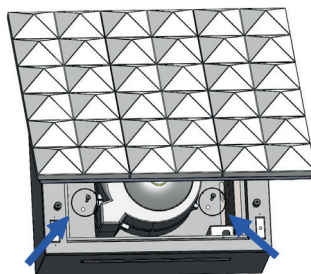


Fig.7

CHIMNEY INSTALLATION

- › Take the inner and outer chimney sections and place on the top of the hood (Fig.8).
- › Lift the internal stainless steel chimney section to the chosen installation height. Use a pencil to mark the location (Fig.9).
- › Lower the entire chimney and position fixing bracket in line with the marking made (Fig.10).

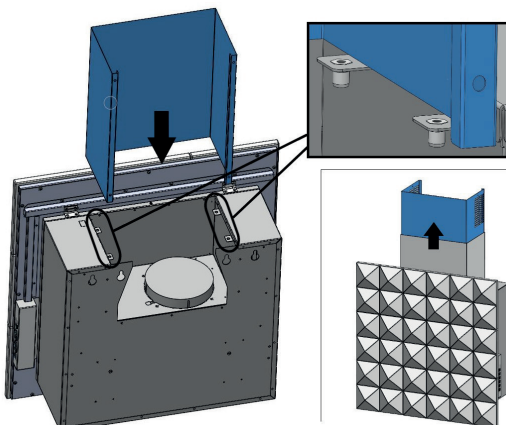


Fig.8

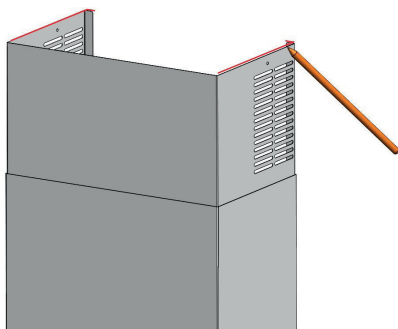


Fig.9

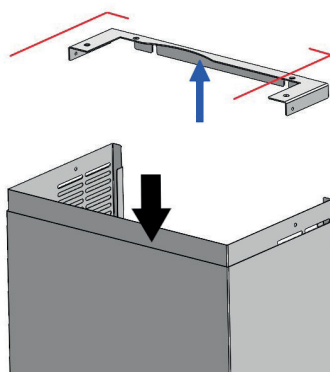


Fig.10

- › Fix the bracket to the wall using the screws supplied (Fig.11).
- › Lift up the internal chimney until it covers the bracket and secure it by fixing the screws on both sides (Fig.12).

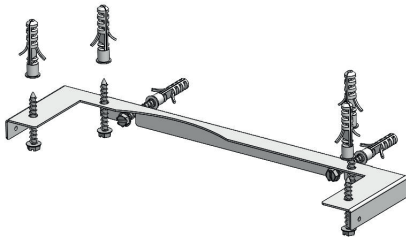


Fig.11

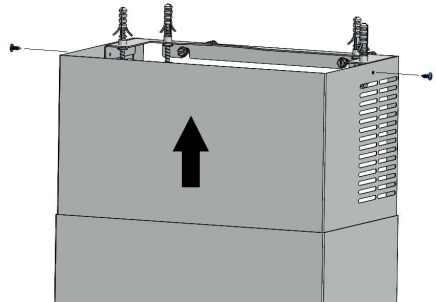


Fig.12

RECIRCULATION VERSION

- › The chimney sections are not necessary when using the hood in recirculation mode.
- › An activated charcoal filter is required when recirculating. This is to be installed behind the grease filter and slots into place (Fig.13). Charcoal Filter CAP47CF can be purchased directly from www.caple.co.uk or by calling our sales office on 0117 938 1900. This should be replaced according to the effective use of the hood at least once every 6 months.

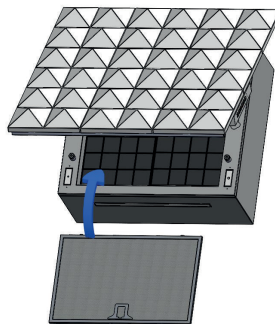


Fig.13

REAR DUCTED VERSION

If installing with rear ventilation, it is necessary to first install the junction accessory supplied (Fig.14) using the screws provided (Fig.15). Fix these screws from underneath (inside the hood).

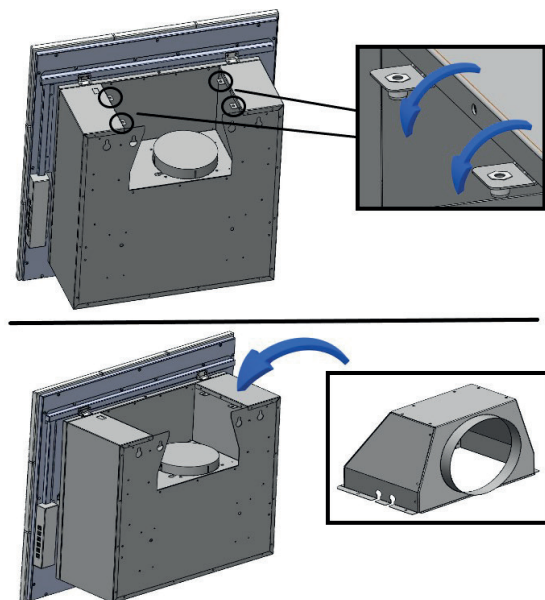


Fig.14

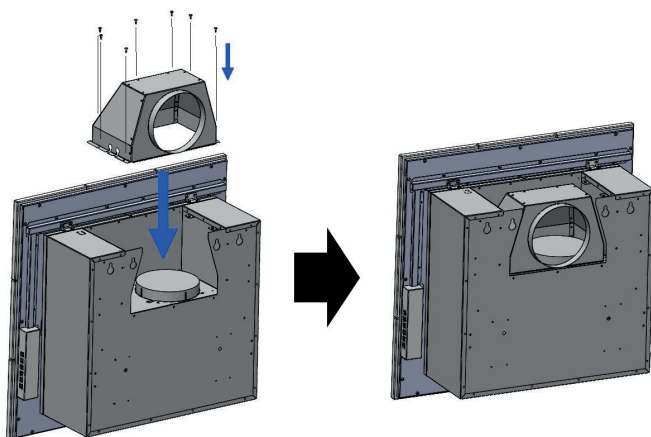
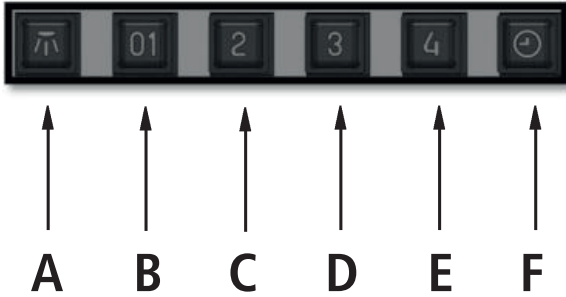


Fig.15

CONTROL PANEL



- A. Light switch on/off
- B. Motor switch - speed 1 / OFF
- C. Motor switch - speed 2
- D. Motor switch - speed 3
- E. Motor switch - speed 4
- F. 10-minute timer

AUTOMATIC TURN OFF

After 4 hours of continuous working from the last function selection, the appliance automatically turns off.

TIMING

- › This product is equipped with intelligent electronics which include a timer device for speed controls when the air capacity exceeds $650\text{m}^3/\text{h}$. Internal motor models, with maximum air capacity higher than $650\text{m}^3/\text{h}$, are equipped with a timer device that automatically switches the speed from 4th to 3rd speed, after 5 minutes operation.
- › External motor models are equipped with remote motors that, as for internal motor versions, include a timer device that switches down the speed when it exceeds $650\text{ m}^3/\text{h}$. (See External Motors Instructions). Remote motors, whose air capacity exceeds $650\text{m}^3/\text{h}$ at both 4th and 3rd speed, will have the following by default timer control functions: The speed is automatically switched from 4th to 2nd speed, after 6 minutes operation.
- › If the appliance is working at 3rd speed, it is automatically switched to 2nd speed, after 7 minutes operation. Operation speeds can also be changed during operation. The energy consumption of the appliance in standby mode is lower than 0.5W.

LIGHTING

DIMMABLE LIGHTS FUNCTION

This function provides for lights dimmability, ranging from 20% to 100%, by continuously pressing the light key on the remote control.

Functions are the following:

- › Hood light off - press the light key - light on at 100%.
- › Light on at 100% - press the light key - light off.
- › Light on at 100% - continuously press the light key - brightness reduction.
- › Releasing the key during reduction or increase - light keeps the luminous intensity reached.
- › Light on - dimmed - continuously press the light key - brightness is inverted if compared to the previous function.

COLOUR TEMPERATURE SETTING

Make sure that the lights and the fan are Off.


Holding down the TIMER key will turn on the light at the previously set colour temperature.

Press and hold the Light key to change the colour temperature.

As long as the key is continuously pressed, the colour temperature is changed from warm to cold. Stop pressing the Light key to select the desired colour.

Exit the colour temperature selection function by pressing the TIMER key.

CLEANING AND MAINTENANCE

- › Accurate maintenance guarantees good functioning and long lasting performance.
- › Particular care must be made when handling the grease filter panel. It can be removed by pushing its handle toward the back-side of the cooker hood and turning the filter downwards so to unfasten it from its slot (Fig.6). To insert the filter just perform the opposite operation.
- › After 30 hours of use, the control panel will signal the saturation of the grease filter by illuminating all the buttons. Press the timer button  to reset.
- › The grease filter needs cleaning regularly by hand or in the dishwasher, at least every two months or more depending on use.

NOTE:

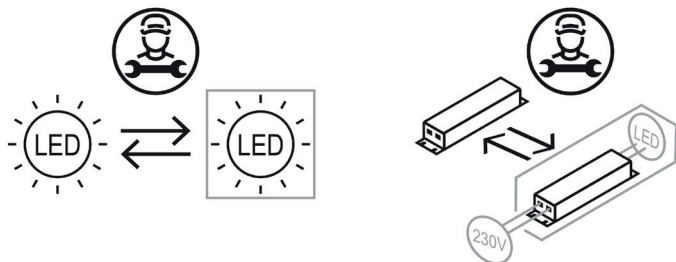
If washing the grease filter in the dishwasher, wash separately to prevent food particles becoming trapped in the filter mesh.


- › When the appliance is used in recirculating mode, the active charcoal filter (Fig.13) needs to be periodically replaced. The charcoal filter can be removed by removing the grease filter first (Fig.6), and by pulling its special plastic tongue until it is unfastened from its slot. Reinsert the charcoal filter by performing the opposite operation.
- › The active charcoal filter will need replacing depending on the use, but at least every six months. To purchase replacement charcoal filters CAP47CF please visit www.caple.co.uk.
- › To clean the appliance itself, tepid water and neutral detergent are recommended, while abrasive products should be avoided.
- › If the supply cord is damaged, it must be replaced by the manufacturer or its service agent or a similarly qualified person in order to avoid a hazard.


REPLACING LED LIGHTING

LIGHT SOURCE ENERGY CLASS

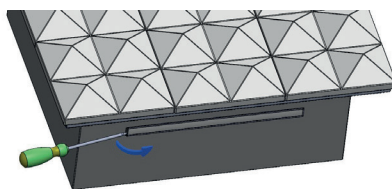
This product contains a light source of energy efficiency class F.



 The LED light must be replaced by an authorised engineer or similar only. For more information, please contact Caple service - 0117 938 7420 or service@caple.co.uk

 Unplug the unit from the power supply before starting the process.

1. Carefully insert a flat screw driver into the edge of the LED light.
2. Remove the LED light from its housing.
3. Disconnect the connector and change the LED light.
4. Implement the steps in reverse order.
5. After waiting 5 minutes, plug in the unit.





Caple Service
Fourth Way
Avonmouth
Bristol
BS11 8DW

T: 0117 938 1900
E: service@caple.co.uk
www.caple.co.uk