





PC400SS

Plaza 40cm cuboid cooker hood





INSTRUCTION MANUAL

I Il simbolo  sul prodotto o sulla confezione indica che il prodotto non deve essere considerato come un normale rifiuto domestico, ma deve essere portato nel punto di raccolta appropriato per il riciclaggio di apparecchiature elettriche ed elettroniche. Provvedendo a smaltire questo prodotto in modo appropriato, si contribuisce a evitare potenziali conseguenze negative per l'ambiente e per la salute, che potrebbero derivare da uno smaltimento inadeguato del prodotto. Per informazioni più dettagliate sul riciclaggio di questo prodotto, contattare l'ufficio comunale, il servizio locale di smaltimento rifiuti o il negozio in cui è stato acquistato il prodotto. Questo elettrodomestico è marcato conformemente alla Direttiva Europea 2002/96/CE sui rifiuti da apparecchiature elettriche ed elettroniche (WEEE).

GB The symbol  on the product or on its packaging indicates that this product may not be treated as household waste. Instead it shall be handed over to the applicable collection point for the recycling of electrical and electronic equipment. By ensuring this product is disposed of correctly, you will help prevent potential negative consequences for the environment and human health, which could otherwise be caused by inappropriate waste handling of this product. For more detailed information about recycling of this product, please contact your local city office, your household waste disposal service or the shop where you purchased the product. This appliance is marked according to the European directive 2002/96/EC on waste electrical and electronic equipment (WEEE).

F Le symbole  sur le produit ou son emballage indique que ce produit ne peut être traité comme déchet ménager. Il doit plutôt être remis au point de ramassage concerné, se chargeant du recyclage du matériel électrique et électronique. En vous assurant que ce produit est éliminé correctement, vous favorisez la prévention des conséquences négatives pour l'environnement et la santé humaine qui, sinon, seraient le résultat d'un traitement inapproprié des déchets de ce produit. Pour obtenir plus de détails sur le recyclage de ce produit, veuillez prendre contact avec le bureau municipal de votre région, votre service d'élimination des déchets ménagers ou le magasin où vous avez acheté le produit. Cet appareil est commercialisé en accord avec la directive européenne 2002/96/CE sur les déchets des équipements électriques et électroniques (WEEE).

E El símbolo  en el producto o en su embalaje indica que este producto no se puede tratar como desperdicios normales del hogar. Este producto se debe entregar al punto de recolección de equipos eléctricos y electrónicos para reciclaje. Al asegurarse de que este producto se desecha correctamente, usted ayudará a evitar posibles consecuencias negativas para el ambiente y la salud pública, lo cual podría ocurrir si este producto no se manipula de forma adecuada. Para obtener información más detallada sobre el reciclaje de este producto, póngase en contacto con la administración de su ciudad, con su servicio de desechos del hogar o con la tienda donde compró el producto. Este electrodomestico está marcado conforme a la directiva Europea 2000/96/CE sobre los residuos de aparatos eléctricos y electrónicos (WEEE).

D Das Symbol  auf dem Produkt oder seiner Verpackung weist darauf hin, dass dieses Produkt nicht als normaler Haushaltsabfall zu behandeln ist, sondern an einem Sammelpunkt für das Recycling von elektrischen und elektronischen Geräten abgegeben werden muss. Durch Ihren Beitrag zum korrekten Entsorgen dieses Produkts schützen Sie die Umwelt und die Gesundheit Ihrer Mitmenschen. Umwelt und Gesundheit werden durch falsches Entsorgen gefährdet. Weitere Informationen über das Recycling dieses Produkts erhalten Sie von Ihrem Rathaus, Ihrer Müllabfuhr oder dem Geschäft, in dem Sie das Produkt gekauft haben. Dieses Elektrohaushaltsgerät ist entsprechend der EU-Richtlinie 2002/96/CE über Elektro- und Elektronik – Altgeräte (WEEE).

NL Het symbool  op het product of op de verpakking wijst erop dat dit product niet als huishoudafval mag worden behandeld. Het moet echter naar een plaats worden gebracht waar elektrische en elektronische apparatuur wordt gerecycled. Als u ervoor zorgt dat dit product op de correcte manier wordt verwijderd, voorkomt u mogelijk voor mens en milieu negatieve gevolgen die zich zouden kunnen voordoen in geval van verkeerde afvalbehandeling. Voor meer details in verband met het recyclen van dit product, neemt u het best contact op met de gemeentelijke instanties, het bedrijf of de dienst belast met de verwijdering van huishoudafval of de winkel waar u het product hebt gekocht. Dit apparaat voldoet aan de Europese richtlijnen 2002/96/CE voor elektrische en elektronische afval (WEEE).

CONTENTS

GB

Warnings

Uses

Installation

Working

Maintenance

WARNINGS

* The appliance is not intended for use by young children or infirm persons without supervision. Young children should be supervised to ensure they do not play with the appliance.


* The cooker surface and the inferior part of the cooker hood must be at a minimum distance of 65 cm.

* The air sucked can't be conveyed through or into a duct used to let out fumes from appliances fed by energy other than electric power (eg. centralized heating, radiators, water-heaters, etc.).

* To evacuate the air outlet, please comply with the pertaining rules given by competent authorities.

* Provide the room with an adequate aeration when a cooker hood and appliances fed by energy other than electric power (gas-, oil-, or coal- stoves, etc.) are used simultaneously. The cooker hood, when evacuating the sucked air, could generate a negative pressure in the room- which can't exceed the limit of 0.04 mbar, in order to avoid the suck of exhausts deriving from the heat-source. Therefore the room should be provided with air-intakes to allow a constant flow of fresh air.

If the rating label in the cooker-hood shows the symbol , the appliance is built in class II° and it **does not need** any earth connection.

If the rating label in the cooker-hood **does not** show the symbol , the appliance is built in class I° and it **needs** the earth connection.

* When performing the electrical connections on the appliance, please make sure that the current-tap is provided with earth connection and that voltage values correspond to those indicated on the label placed inside the appliance itself.

* Before carrying out any cleaning or maintaining operations, the appliance needs to be removed from the electric grid. If the appliance is not provided with a non-separable flexible cable and plug, or with another device ensuring omnipolar disconnections from the grid, with an opening distance between the contacts of at least 3 mm, then such disconnecting devices must be supplied within the fixed installation.

If the fixed appliance is endowed with a supply cord and a plug, the appliance has to be put in a place where the plug can be reached easily.

* The use of materials which can burst into flames should be avoided in close proximity of the appliance. When frying, please pay particular attention to fire risk due to oil grease. Being highly inflammable, fried oil is especially dangerous. Do not use uncovered electric grills.

In order to avoid possible fire risk, all instructions for grease-filter cleaning and for removing eventual grease deposits should be strictly followed.

USES

The appliance is already arranged both for filtering and for suction performances.

* In its **filtering version** (Fig.1), the air and fumes conveyed by the appliance are depured both by a grease filter and by an active coal filter, and put again into circulation through the side-grids of the chimney. For this version an air deflector placed on the superior part of the pipe and allowing air-recycling is necessary (Fig.1A).

* In its **sucking version** (Fig.2), fumes are directly conveyed outside, through an evacuation duct connected with the superior part of the wall or the ceiling. Both coal filter and air deflector are not necessary in this case.

INSTALLATION

* Before installing the appliance, in order not to damage the appliance itself, the metal grease filter should be removed. Such filter can be removed by pushing the special filter handle toward the back side of the cooker hood and turning it downwards so to unfasten it from its slot (Fig.3B-4A).

Wall stirrup-fixing

* By using the special drilling jig (Fig.5X), perforate the wall according to the pattern indicated by the jig itself, and pay attention in order not to damage water pipes and electric wires. Perforation should be performed with a Ø 8 mm wall-drill. Then insert into the proper plastic reinforcements (Fig.5A). The hood-bearing stirrup (Fig.5S) can be applied by using the screws provided with the equipment (Fig.5B). Now hook the cooker hood onto its bearing (Fig.7) and then adjust horizontally and vertically the position of the appliance by acting on the special metric screws (Fig.9V,T).

After the appliance is adjusted, fix it by inserting and tightening the safety screws properly (Fig.5C) Mod. SM - SL. On the modular models standard and luxury version, after fixing the angle iron on the wall (Fig.6C), hang the module to the appropriate bracket (Fig.6S). Adjust and block with the screws supplied (Fig.9V-T). Insert the screws to block the module (Fig.8A).

Fixing the ornamental chimney

* Before fixing the chimney, place the electric feeding equipment into the ornamental pipe and provide it with a hole for the air outlet if the appliance is used in its sucking version.

Warning!

Before connecting the flexible exhausting pipe to the motor, make sure the stop valve, which is on the air outlet of the motor, can swing.

Sucking version

* Fix the pipe-bearing stirrup (Fig.10Y) to the wall or ceiling by using the proper reinforcements and screws in equipment. Connect the cooker-hood flange with the evacuation hole by using a proper pipe. (For versions with display only) Lift the lower pipe until the cable strap coming out of the sucking unit is uncovered and connect it to the display cable strap. Put down the lower pipe while paying attention it is being properly introduced into the hood. Perform the electrical connections. The superior end of the pipe is to be fixed laterally to the pipe bearing (Fig.11Y) by using the two self-threading screws. Now mount the inferior chimney by inserting it through the front side of the cooker hood and then turning it down until it is fixed inside (Fig.11).

Filtering version

* In the filtering version the air deviator is fixed through the screws supplied (Fig.12), by using the holes which are on the back of the upper telescopic section. Connect the flange of the appliance with the air deviator through an appropriate pipe. Connect the appliance with the electric mains. (For versions with display only) Lift the lower pipe until the cable strap coming out of the sucking unit is uncovered and connect it to the display cable strap. Put down the lower pipe while paying attention it is being properly introduced into the hood.

WORKING

Mod. S-SE-Module - Standard version (Fig. 13)

- A: Light switch on/off
- B: Motor switch on/off (1st rate level)
- C: 2nd rate level switch
- D: 3rd rate level switch
- E: Warning gem

Mod. SM (Fig. 14)

- A: Light switch on/off
- B: Motor switch on/off (1st rate level)
- C: 2nd rate level switch
- D: 3rd rate level switch
- E: 10-minute timer
- F: Warning gem

Mod. SL - Module - Luxury version (Fig. 15)

- A: Light switch on/off
- B: Motor switch on/off (1st rate level)
- C: 2nd rate level switch
- D: 3rd rate level switch
- E: 4th rate level switch
- F: 10-minute timer.

Mod. SL TC - Touch Control version (Dis.21)

- A: Light switch On/Off
- B: Reduce speed
- C: Luminous telltale
- D: Increase speed
- E: 10 - minute timer

The touch control key allows the function desired by touching the relative key. The luminous telltales (C) positioned at the center of the keyboard indicate the suction speed set. In case of an active timer, the upper telltale (C) flashes. If the push button console malfunctions, remove the grease filters and press the red button inside the appliance twice. If the electrical power supply to the product SLTC is cut, 15 seconds are needed for self-diagnostics after the functions are restored. In the meanwhile, its operation may be incorrect.

Mod. SL ... I - Intensive version (Dis.22)

- A: Light switch On/Off
- B: Motor switch On/Off (1st rate level)
- C: 2nd rate level switch
- D: 3rd rate level switch
- E: Intensive speed switch
- F: 10 - minute timer

Pressing the Intensive speed key "I", suction is at maximum speed for the duration of 4 minutes. Once 4 minutes have passed, the product returns to the previous setting. Example: starting from 2nd speed and pressing key "I" suction will go to the maximum speed for 4 minutes. Successively the hood returns to 2nd speed.

Mod. SL Module TD - version with display (Dis.18)

- A: 1st speed activated
- B: 2nd speed activated
- C: 3rd speed activated
- D: 4th speed activated
- E: Light on
- F: Set timer 10 min.

Model with remote control (Fig.17)

6 - channel radio control for cooker hood remote control.

Technical characteristics:

- Battery feeding : 12V
- Frequency : 433,92 Mhz
- Max. Consumption : 25 mA
- Working temperature : -20 + 70 °C
- Dimensions : 45x75x14 mm.

Functioning:

The transmitter is provided with 6 buttons for the cooker hood functioning, which are as follows:

- ☰ : ON/OFF light switch.
- 01 : ON 1st speed level-OFF motor switch.
- 2 : 2nd speed level switch.
- 3 : 3rd speed level switch.
- 4 : 4th speed level switch.
- ⌚ : 10 minutes timer.

Standard configuration:

Our standard configuration wants all cooker hood-remote control systems to use the same identically functioning transmission code (with reference to dip-switch buttons 6-7-8-9-10 are ON).

In case two cooker hood-remote control systems are present in a same room or nearby, the two systems could influence one another since their transmission codes are identical. In this case to change one radio control code is recommended.

Changing the transmission code:

To change the transmission code, please follow these instructions:

Open the battery-covering panel; select a dip at will choosing between n. 7-8-9-10 and put it on OFF.

Acknowledgement of the new transmission code:

After having changed the transmission code in the radio control, it has to be acknowledged by the electronic central unit of the sucking hood in the way that follows: Press the general off-switch button of the cooker hood (Fig. 4B-3A) and then re-establish the electronic central unit feeding: from now on you have 13 seconds to press ☁ and let the central unit tune in to the new selected code.

Emergency button:

In case of radio control malfunctioning, to switch off the appliance just press the emergency button (Fig. 4B-3A) placed near the lighting lamp. After fixing reset the emergency button.

The luxury products (SL-Module) are endowed with an electronic device which allows the automatic switching off after 4 hours working from the last operation.

MAINTENANCE

* An accurate maintenance guarantees good functioning and long-lasting performance.

* Particular care is due to the grease filter panel. It can be removed by pushing its special handle toward the back-side of the cooker hood and turning the filter downwards so to unfasten it from its slot (Fig.3B-4A).

To insert the filter just perform the opposite operation. After 30 hours working (model SL-Module Luxury version), the push button control panel will signal the saturation of the grease filter by lighting all the buttons. **In the SLTC models (Touch Control Version) the grease filter saturation is signalled by the flashing of the two central push buttons (Fig. 21 C).** Press the timer button to reset ⌚. The grease filter needs cleaning by regular hand-washing or in dishwashers every two months at least or depending on its use.

* In case the appliance is used in its filtering version, the active coal filter (Fig.16-20Z) needs to be periodically replaced.

The coal filter can be removed by removing the grease filter first (Fig.4A-16B), and by pulling its special plastic tongue until it is unfastened from its slot. Re-insert the coal filter by operating in the opposite way. The coal filter needs replacing depending on the use, but however every six months at least.

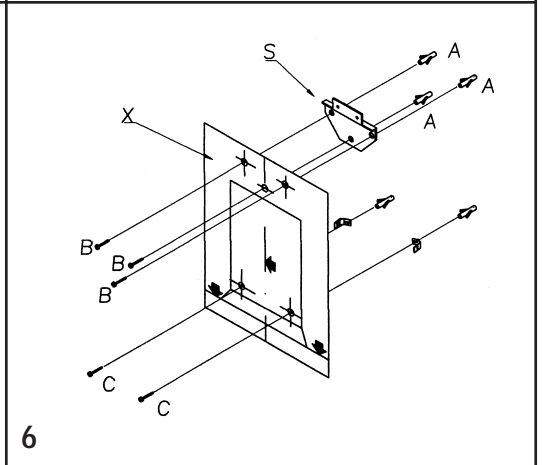
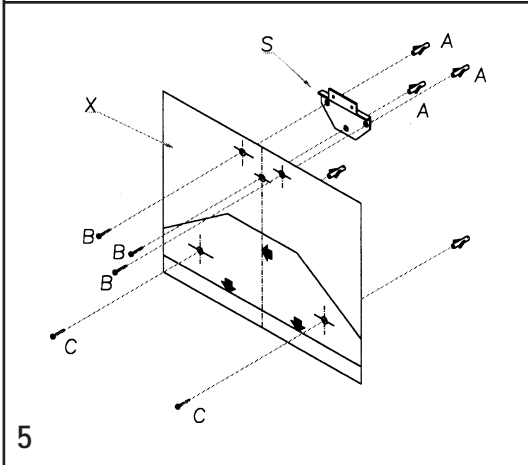
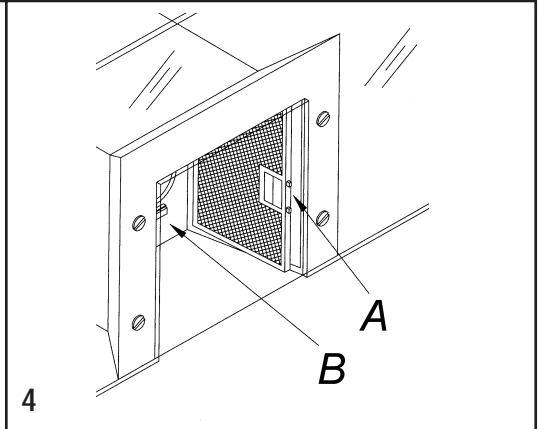
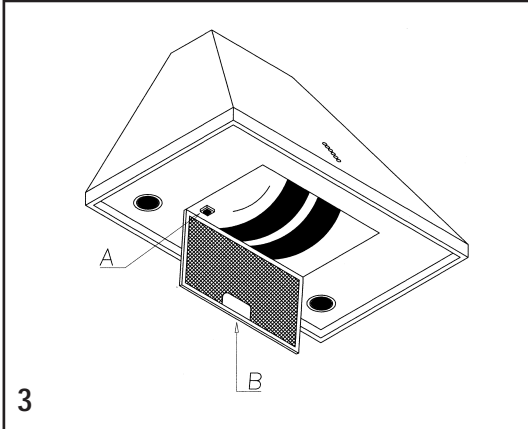
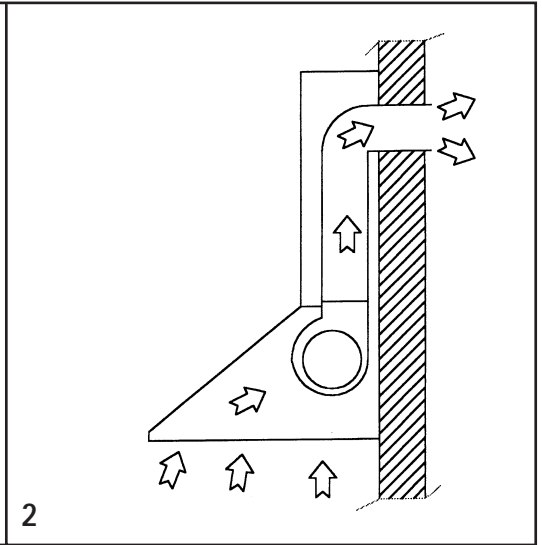
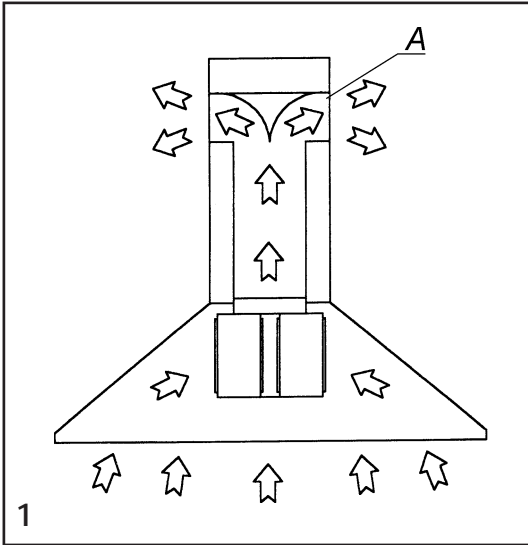
* To clean the appliance itself tepid water and neutral detergent are recommended, while abrasive products should be avoided. For steel appliances specialized detergents are recommended (please follow the instructions indicated on the product itself to obtain the desired results).

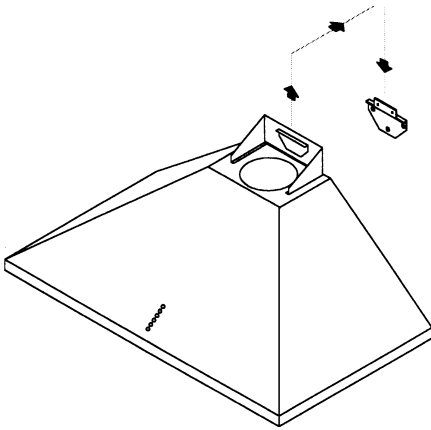
* Before replacing the lamps, disconnect the appliance from the electric mains. Remove the grease filter and the carbon filter, if it is inserted (Fig.11). Once the burnt out bulb is localized, turn it anticlockwisely and replace it with a bulb of the same type.

* To replace the **halogen lamps**, remove first the glass-blocking ring (Fig.18A), by levering with a screw-driver and thus removing the opaque glass (Fig.18B) - when performing this operation hold the opaque glass carefully. Remove the lamp (Fig.18C) without touching it with uncovered hands. Replace it with another lamp of the same kind. After the replacement, re-insert the glass-blocking ring and fasten it.

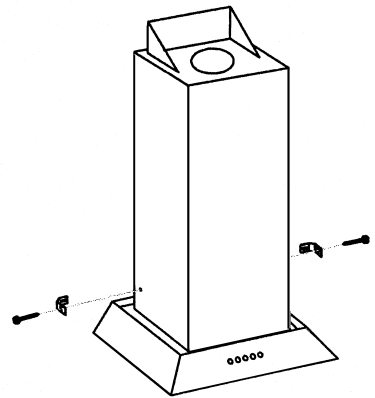
To replace the **dichroic lamp**, remove the lamp (Fig. 19) by inserting a screwdriver or another sharp tool between the lamp and its chrom support and replace it with a lamp of the same kind.

* If the supply cord is damaged, it must be replaced by the manufacturer or its service agent or a similarly qualified person in order to avoid a hazard.

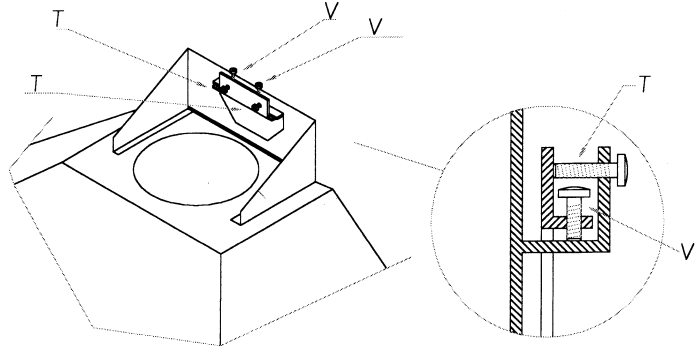




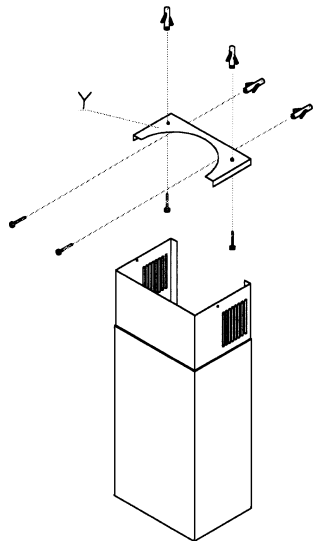
7



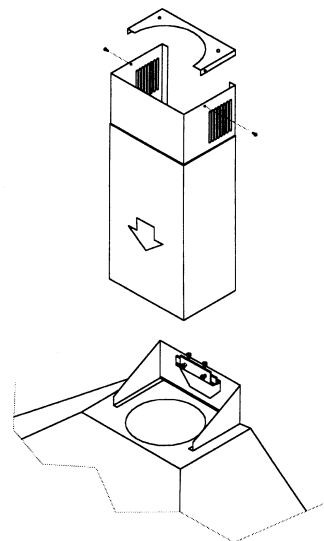
8



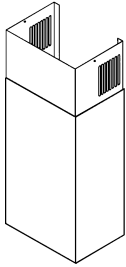
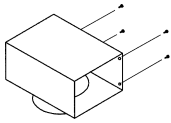
9



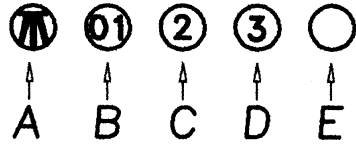
10



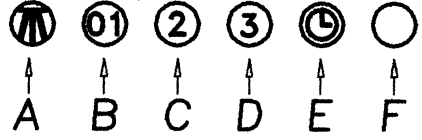
11



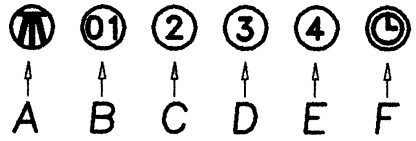
12



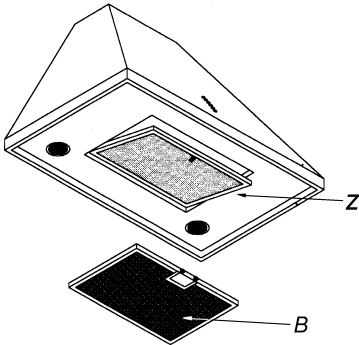
13



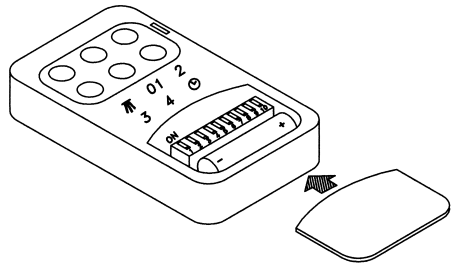
14



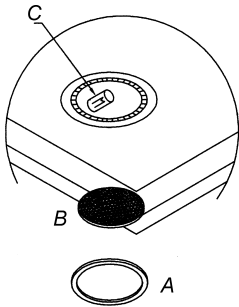
15



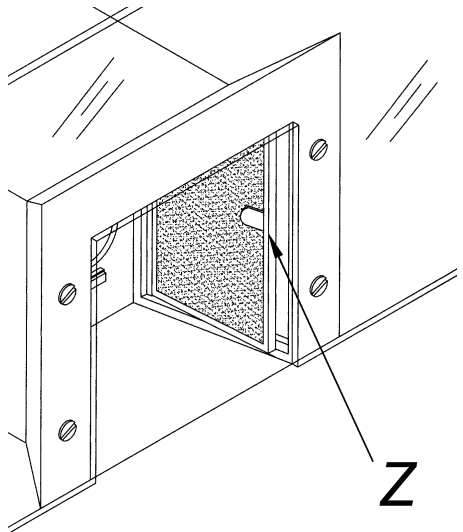
16



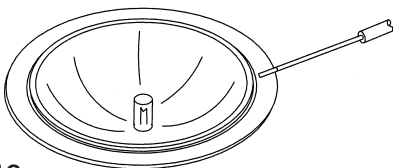
17



18



20



19



A



B



C



D



E

21



A



B



C



D



E



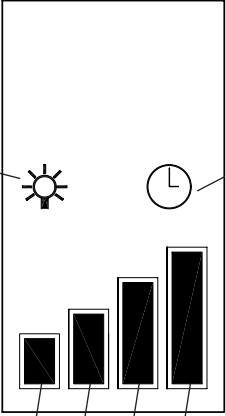
F

22

E



F



A B C D

23