



DDMEXT40

Caple external wall motor

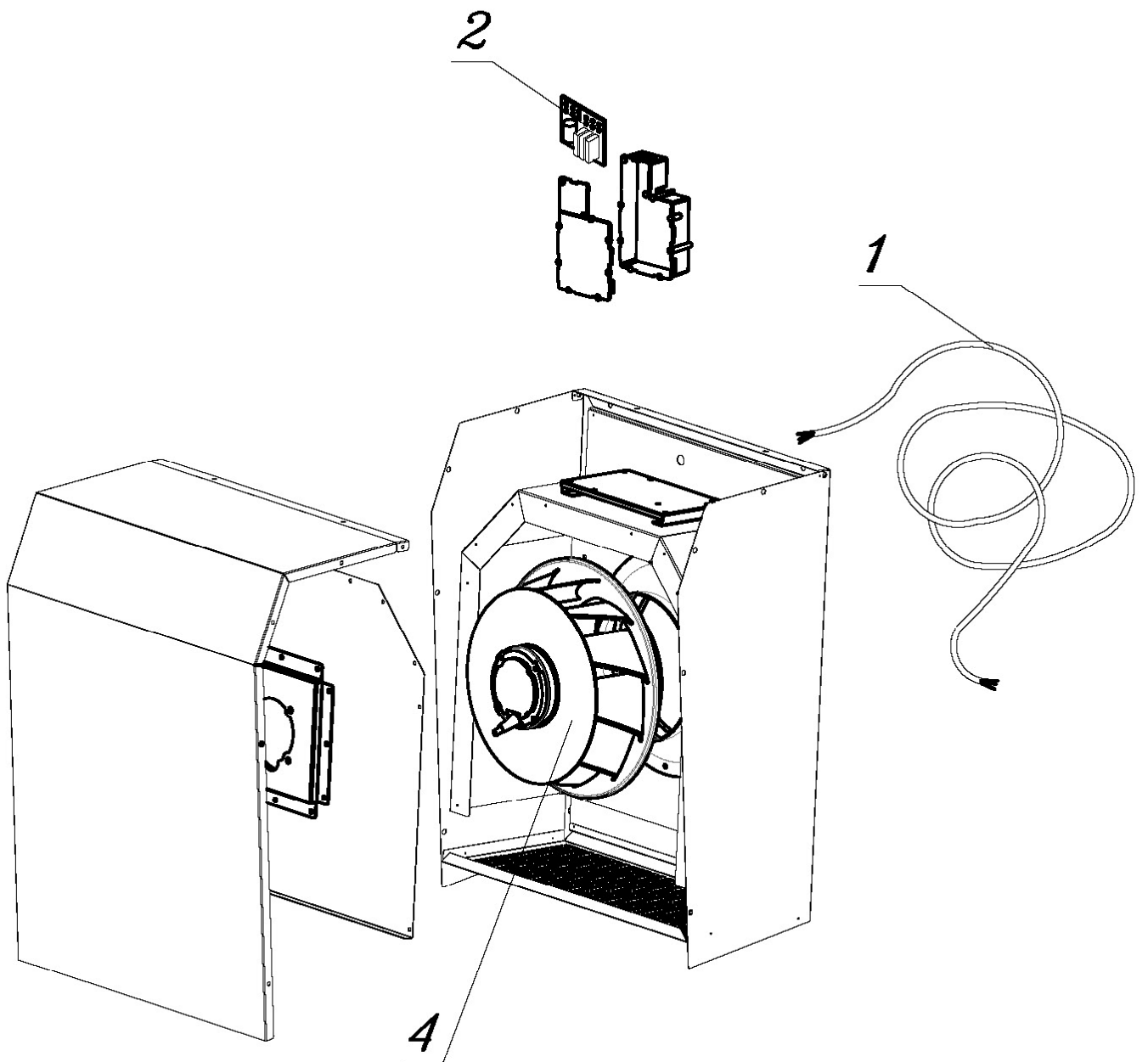


Technical information



DDMEXT40

Caple external wall motor





DDMEXT40 - Caple external wall motor

Item	Part Code	Description	Qty
1	75071008573	SEM8 CABLE	1
2	75071008008	MAIN PRINT FOR SINGLE-SPEED AND BRUSHLESS MOTOR	1
4	75071400999	ASS. R. G.A. EBM R3G250-R040	1