



DDMEXT28

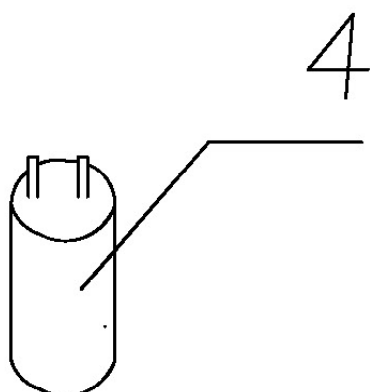
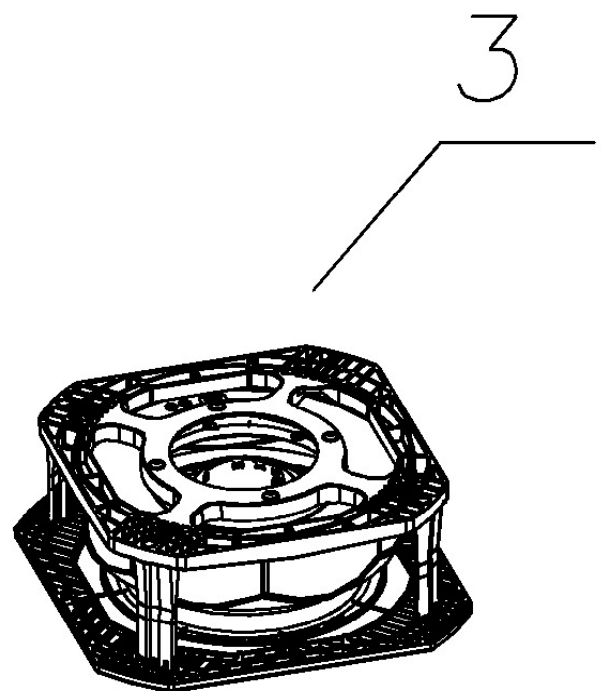
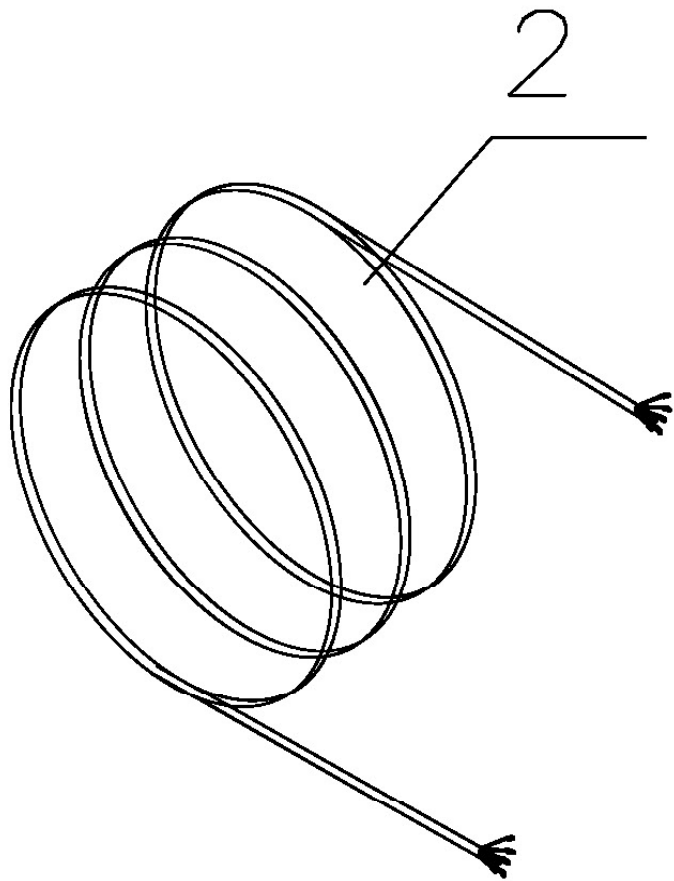
Caple plinth motor

Technical information



DDMEXT28

Caple plinth motor





DDMEXT28 - Caple plinth motor

Item	Part Code	Description	Qty
2	75071010636	CABLE SEM10 E.LA. 7,5mt	1
3	75007026123	MOTOR EBM K2E220RB1412 4V	1
4	75007026042	ASS. R. CONDENSATORE 3,15 MICROF	1