



DDMEXT27

Caple plinth motor

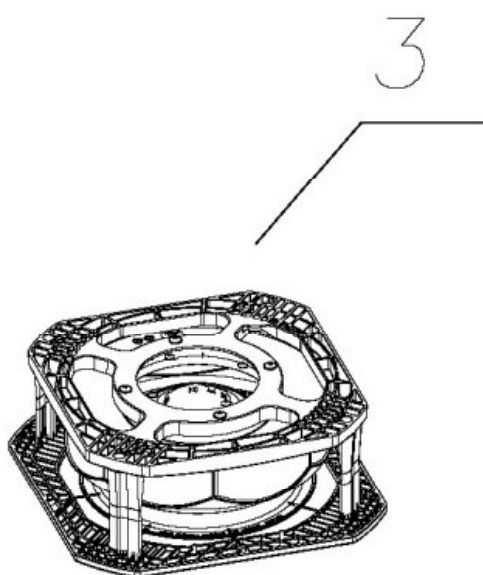
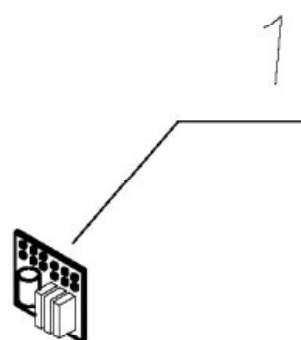
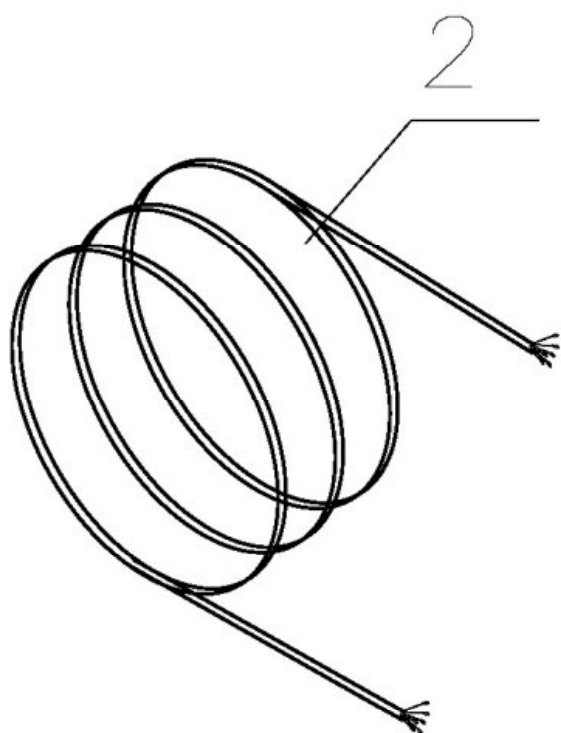


Technical information



DDMEXT27

Caple plinth motor





DDMEXT27 - Caple plinth motor

Item	Part Code	Description	Qty
1	75071008008	MAIN PRINT FOR SINGLE-SPEED AND BRUSHLESS MOTOR	1
2	75071010636	CABLE SEM10 E.LA. 7,5mt	1
3	75007026601	MOTOR EBM K2E220-RB0601	1