



# DDMEXT20

Caple internal motor

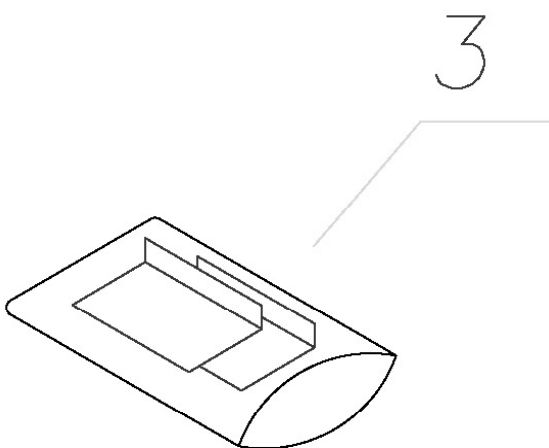
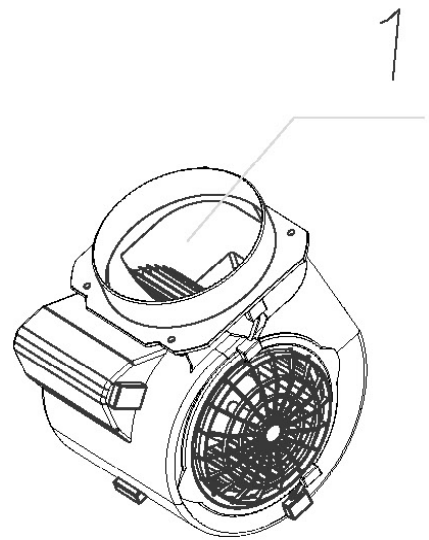
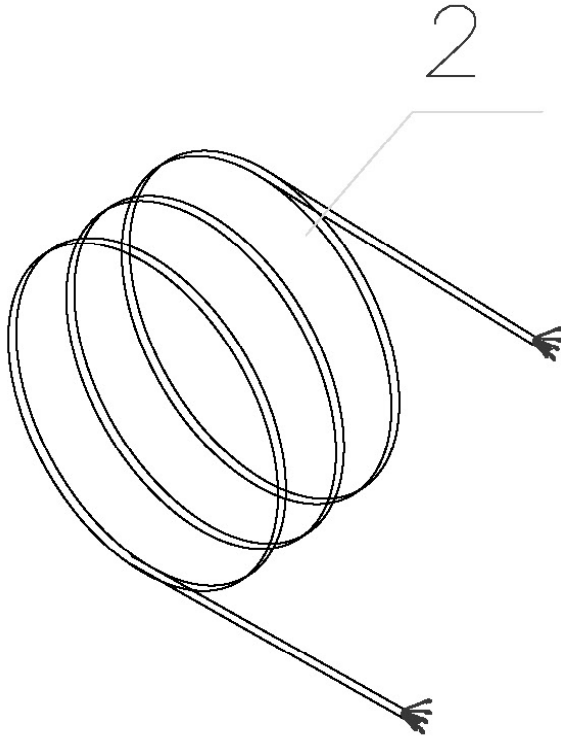


**Technical information**



# DDMEXT20

Caple internal motor





## DDMEXT20 - Caple internal motor

Item	Part Code	Description	Qty
1	75061500999	PLASTIC MOTOR 800 E. LA.	1
2	75071001045	SEM1 CABLE	1
3	75071001072	SEM1 FIXING KIT	1