



MOT912

Caple Motus 90cm cooker hood

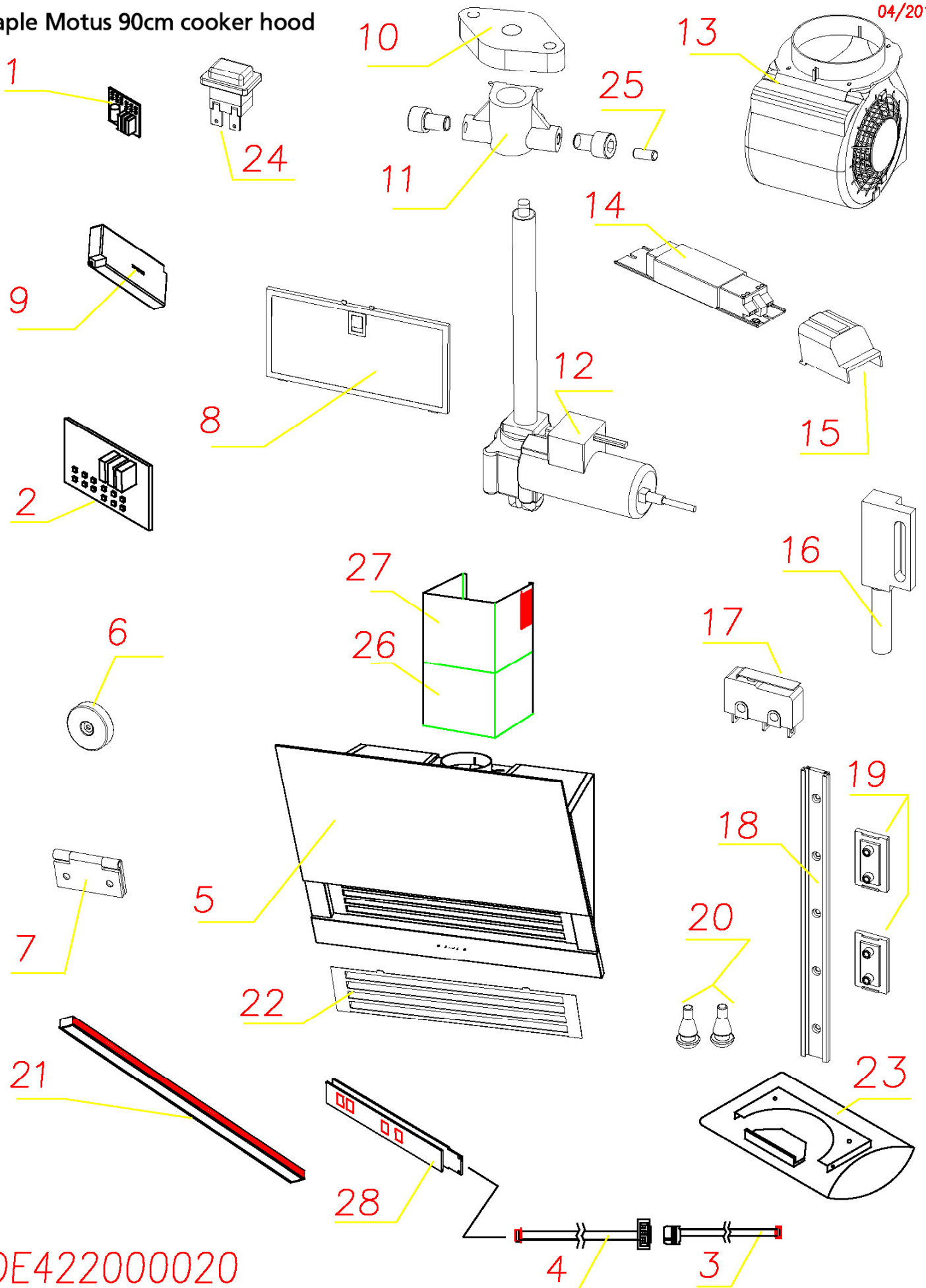


Technical information

MOT912

Caple Motus 90cm cooker hood

04/2017



DE422000020



MOT912 - Caple Motus 90cm cooker hood

| Item | Part Code | Description | Qty |
|------|-------------|-------------------------------------|-----|
| 1 | 75075034398 | E.L. MAIN PRINT | 1 |
| 2 | 75075050027 | MAIN BOARD SLTC/ATT EL | 1 |
| 3 | 75075050553 | FLAT CABLE EFI-A553 | 1 |
| 4 | 75075050554 | FLAT CABLE EFI-A554 | 1 |
| 5 | 75421207256 | BLACK GLASS MOT910 | 1 |
| 6 | 75096000553 | MAGNET 20X3 | 1 |
| 7 | 75096003003 | FLAT MILLED HINGE | 1 |
| 8 | 75075030001 | FILTER 338X171 LFI-M001 | 1 |
| 9 | 75007026320 | TRANSFORMER DC 12V EFU 122320 | 1 |
| 10 | 75075050001 | SPINDLE SUPPORT | 1 |
| 11 | 75075030409 | ACTUATOR POINTER MOD. H40 | 1 |
| 12 | 75075030296 | ACTUATOR LM25 | 1 |
| 13 | 75061500999 | PLASTIC MOTOR 800 E. LA. | 1 |
| 13 | 75061500999 | Motor GPE837 | 1 |
| 14 | 75075030309 | TRANSFORMER 220-240V 50Hz 50W | 1 |
| 15 | 75075030003 | TRANSFORMER COVER 220-240V 50Hz 50W | 1 |
| 16 | 75075030312 | MAGNETIC SENSOR L520 | 1 |
| 17 | 75075030500 | SECURITY MICROSWITCH SLTR75 | 1 |
| 18 | 75075030365 | IGUS GUIDE S75 MSU-N365 | 1 |
| 19 | 75075030027 | SKATE SLIDING SKIDS | 1 |
| 20 | 51011007501 | RUBBER FEET FOR S75 GRATING | 1 |
| 21 | 75010515012 | LED STRIP 10 W | 1 |
| 22 | 75075030635 | GRATING S75 XS430 | 1 |
| 23 | 75075030750 | ACCESSORIES BAG SL75 | 1 |
| 24 | 75470199999 | EMERGENCY SWITCH/START NEON | 1 |
| 25 | 75075030314 | MAGNETIC UNIT D4X10 | 1 |
| 26 | 75024610101 | STAINLESS STEEL LOWER CHIMNEY | 1 |
| 27 | 75034610101 | STAINLESS STEEL UPPER CHIMNEY | 1 |
| 28 | 75075051075 | MAIN PRINT SLTC/ATT | 1 |