



MOT911

Caple Motus 90cm cooker hood

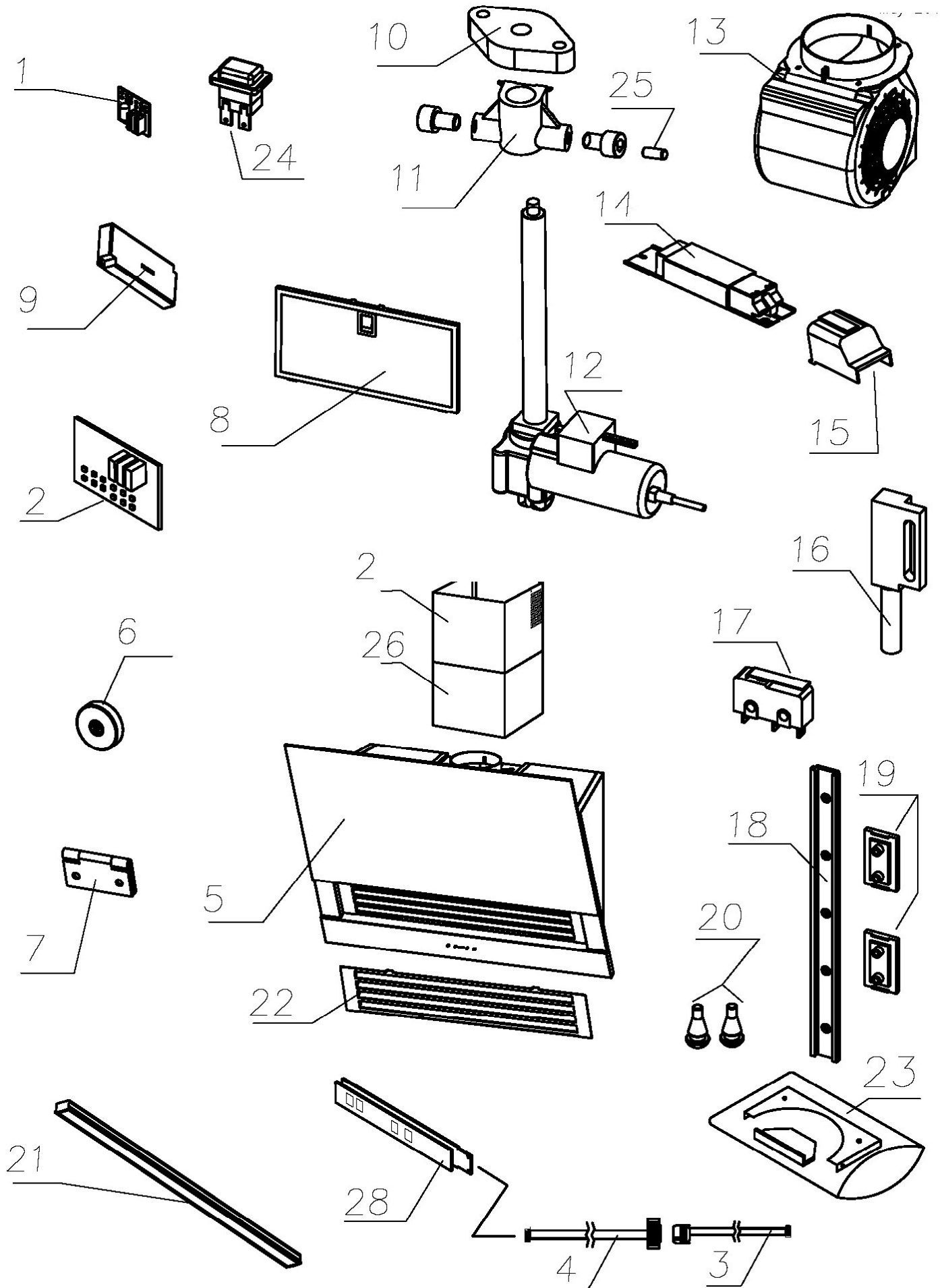


Technical information



MOT911

Caple Motus 90cm cooker hood





MOT911 - Caple Motus 90cm cooker hood

Item	Part Code	Description	Qty
1	75075034398	E.L. MAIN PRINT	1
2	75075050027	MAIN BOARD SLTC/ATT EL	1
3	75075050553	FLAT CABLE EFI-A553	1
4	75075050554	FLAT CABLE EFI-A554	1
5	75421207256	BLACK GLASS MOT910	1
6	75096000553	MAGNET 20X3	1
7	75096003003	FLAT MILLED HINGE	1
8	75075030001	FILTER 338X171 LFI-M001	1
9	75007026320	TRANSFORMER DC 12V EFU 122320	1
10	75075050001	SPINDLE SUPPORT	1
11	75075030409	ACTUATOR POINTER MOD. H40	1
12	75075030296	ACTUATOR LM25	1
13	75061500999	PLASTIC MOTOR 800 E. LA.	1
14	75075030309	TRANSFORMER 220-240V 50Hz 50W	1
15	75075030003	TRANSFORMER COVER 220-240V 50Hz 50W	1
16	75075030312	MAGNETIC SENSOR L520	1
17	75075030500	SECURITY MICROSWITCH SLTR75	1
18	75075030365	IGUS GUIDE S75 MSU-N365	1
19	75075030027	SKATE SLIDING SKIDS	1
20	51011007501	RUBBER FEET FOR S75 GRATING	1
21	75010515012	LED STRIP 10 W	1
22	75075030635	GRATING S75 XS430	1
23	75075030750	ACCESSORIES BAG SL75	1
24	75470199999	EMERGENCY SWITCH/START NEON	1
25	75075030314	MAGNETIC UNIT D4X10	1
26	75024610101	STAINLESS STEEL LOWER CHIMNEY	1
27	75034610101	STAINLESS STEEL UPPER CHIMNEY	1
28	75075051075	MAIN PRINT SLTC/ATT	1