



MOT901

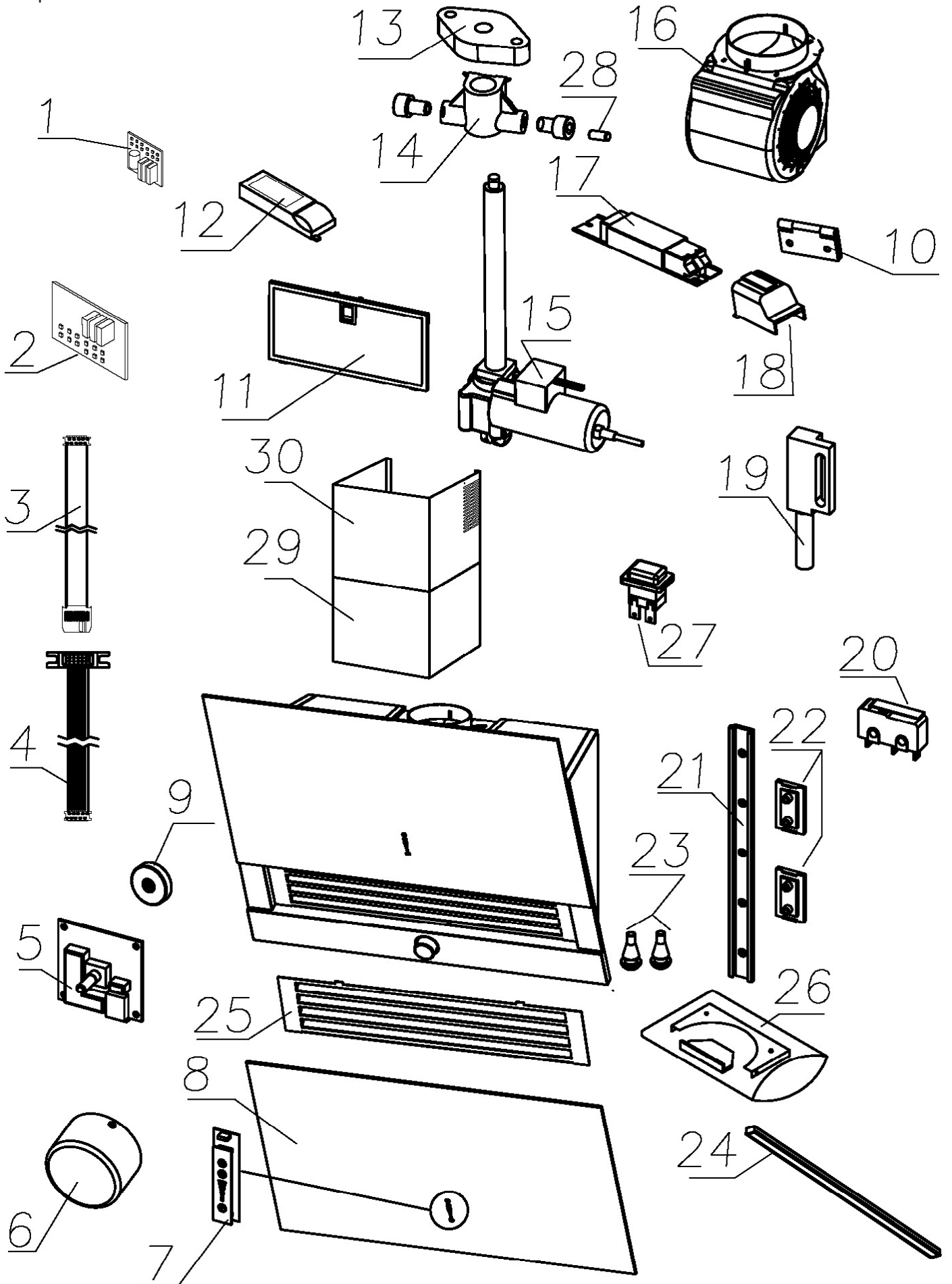
Caple Motus 90cm cooker hood



Technical information

MOT901

Caple Motus 90cm cooker hood





MOT901 - Caple Motus 90cm cooker hood

Item	Part Code	Description	Qty
1	75075034398	E.L. MAIN PRINT	1
2	75075030026	EL MAIN PRINT SLTR/ATT	1
3	75075030237	FLAT CABLE EFI-A237	1
4	75075030564	FLAT CABLE EFI-A564	1
5	75075030022	ROTATIONAL COMMAND MAIN PRINT	1
6	75075030099	ROTATIONAL COMMAND KNOB	1
7	75075030021	ROTATIONAL KNOB DISPLAY CIRCUIT BOARD	1
8	75421207254	BLACK GLASS	1
9	75096000553	MAGNET 20X3	1
10	75096003003	FLAT MILLED HINGE	1
11	75075030001	FILTER 338X171 LFI-M001	1
12	75007026320	TRANSFORMER DC 12V EFU 122320	1
13	75075050001	SPINDLE SUPPORT	1
14	75075030409	ACTUATOR POINTER MOD. H40	1
15	75075030296	ACTUATOR LM25	1
16	75061500999	PLASTIC MOTOR 800 E. LA.	1
17	75075030309	TRANSFORMER 220-240V 50Hz 50W	1
18	75075030003	TRANSFORMER COVER 220-240V 50Hz 50W	1
19	75075030312	MAGNETIC SENSOR L520	1
20	75075030500	SECURITY MICROSWITCH SLTR75	1
21	75075030365	IGUS GUIDE S75 MSU-N365	1
22	75075030027	SKATE SLIDING SKIDS	1
23	51011007501	RUBBER FEET FOR S75 GRATING	1
24	75010515012	LED STRIP 10 W	1
25	75075030635	GRATING S75 XS430	1
26	75075030750	ACCESSORIES BAG SL75	1
27	75470199999	EMERGENCY SWITCH/START NEON	1
28	75075030314	MAGNETIC UNIT D4X10	1
29	75024610101	STAINLESS STEEL LOWER CHIMNEY	1
30	75034610101	STAINLESS STEEL UPPER CHIMNEY	1

