

Instruction manual for COOKER HOODS

Model code: MOT901



Model code: LUC600



Model code: ZZ801



Model code: MOT912



Contact Caple on 0117 938 7420 or for spare parts www.caple.co.uk

GB



The symbol on the product or on its packaging indicates that this product may not be treated as household waste. Instead it shall be handed over to the applicable collection point for the recycling of electrical and electronic equipment. By ensuring this product is disposed of correctly, you will help prevent potential negative consequences for the environment and human health, which could otherwise be caused by inappropriate waste handling of this product. For more detailed information about recycling of this product, please contact your local city office, your household waste disposal service or the shop where you purchased the product. This appliance is marked according to the European directive 2012/19/EC on waste electrical and electronic equipment (WEEE).

CONTENTS

GB

Warnings

Uses

Installation

Working

Maintenance

WARNINGS


* **The appliance is not intended for use by young children or infirm persons without supervision. Young children should be supervised to ensure they do not play with the appliance.**


* **The minimum distance between the cooking surface and the lower part of the cooker hood shall be 400 mm. For LUC600 and ZZ801 MODELS, the minimum distance shall be 650 mm.**

* **The extracted air can't be conveyed through or into a duct used to let out fumes from appliances fed by energy other than electric power (eg. centralized heating, radiators, water heaters, etc.).**

* **To evacuate the air outlet, please comply with the pertaining rules given by competent authorities.**

* Provide the room with an adequate aeration when a cooker hood and appliances fed by energy other than electric power (gas, oil, or coal stoves, etc.) are used simultaneously. The cooker hood, when evacuating the extracted air, could generate a negative pressure in the room which can't exceed the limit of 0.04 mbar, in order to avoid the suck of exhausts deriving from the heat-source. Therefore the room should be provided with air-intakes to allow a constant flow of fresh air.

If the rating label in the cooker hood shows the symbol  , the appliance is built in class II° and it does not need any earth connection.

If the rating label in the cooker hood does not show the symbol  , the appliance is built in class I° and it needs the earth connection.

* When performing the electrical connections on the appliance, please make sure that the current-tap is provided with earth connection and that voltage values correspond to those indicated on the rating label placed inside the appliance itself.

* Please disconnect the appliance from power mains, before carrying out any cleaning or maintenance operation.

If the appliance is not equipped with a non-separable flexible cable and plug, or with another device ensuring omnipolar disconnection from the mains, with an opening distance between the contacts of at least 3 mm, then such disconnecting devices must be provided in the fixed installation.

If the appliance is equipped with a power cord and a plug, it shall be placed in such a way that the plug can be reached easily.

* **The use of materials which can burst into flames should be avoided in close proximity of the appliance. When frying, please pay particular attention to fire risk due to oil and grease. Being highly inflammable, fried oil is especially dangerous. Do not use uncovered electric grills.**

In order to avoid possible fire risk, all instructions for grease-filter cleaning and for removing eventual grease deposits should be strictly followed.

USES

The appliance has been designed to work both in recirculating and external extraction modes.

* In the recirculation mode (fig. 1), the air and fumes conveyed by the appliance are purified by both a grease filter and an activated charcoal filter, and then recirculated back into the room through the vent slots in the chimney. When the appliance works in this mode, we recommend the use of an air deflector (Fig.1A) to be placed on the upper part of the pipe, allowing the air to be re-circulated into the room .

* In the **External extraction mode** (fig. 2), fumes are directly conveyed outside the building, through the top or rear air outlet. The use of a charcoal filter and air deflector is not necessary in this case.

INSTALLATION

*Before installing the appliance, make sure that none of the parts are damaged in any way. In case of damaged parts, contact your retailer and do not proceed with installation. Read all of the following instructions carefully before installing the appliance:

- Use an air outlet pipe of the shortest possible length.
- Limit the number of pipe elbows.
- Use a material approved by standards and regulations.
- Avoid any sudden changes in the pipe section (recommended constant diameter: Ø 150 mm or equal surface area).
- The manufacturer shall not be responsible for air capacity or noise problems due to non-compliance with above mentioned instructions, and no warranty shall be given.

The models MOT901, MOT912, ZZ801 have been designed in order to have the possibility of directing the air outlet in the rear side of the appliance; if you choose to use this function, it is necessary to remove the no. 10 screws of the motor unit support (fig. 3), take out the motor unit and rotate it in such a way to direct the air outlet nozzle towards the rear side of the appliance (fig. 4); then place the motor unit in its seat again and tighten the screws previously removed.

By using its drilling template (fig. 5A), drill the holes for the wall bracket installation; The model MOT901, MOT912 shall be installed at a minimum distance of 400mm from the cooking surface. Assure a distance of 650mm from the cooking surface with LUC600 model and ZZ801 model.

Fix the brackets to the wall, by using the screw anchors and screws supplied with the product; Hang the body to the wall brackets previously fixed (fig.6).

MOT901 – MOT912 MODEL ONLY

Install no. 4 fixing screws on the corresponding holes on the upper side of the appliance (fig.7). Tighten the front screw (fig.7A) to secure the appliance to the wall, then check if the hood is perfectly leveled. If it isn't leveled tighten the back screws (fig.7B): the right one to raise the right side of the hood or the left screw to raise the left side. Perform the electric connection.

Activate the glass panel lifting up, as shown in the 'Working' section; when the panel is completely open, which is done by setting the IV speed, remove the grid as shown in (fig. 8), then remove the grease filters and make sure the hood is securely fixed to the wall, by using the inside screws (fig. 9).

Reinsert the grease filters, the grid and close the front panel by setting the OFF function, as shown in the 'Working' section.

External extraction mode – upper outlet: Fix the pipe bearing bracket to the wall and/or ceiling by using the anchor screws and screws provided (fig. 10), centered to the hood.

Connect the motor air-outlet flange to the exhaust hole, by using a suitable pipe. Place the two ornamental pipes on the hood body; lift the internal pipe up until it reaches the ceiling; then fix it to the pipe bearing bracket, by using the two self-threaded screws provided.

External extraction mode – back outlet: Install the air outlet grill above the hood in the relative seat (refer to Fig. 11). The stainless steel chimneys are not necessary.

Recirculation mode: Install the air outlet grill above the hood in the relative seat (refer to Fig. 11). The stainless steel chimneys are not necessary.

In case that the appliance is used in the Recirculation mode, it is necessary to install the charcoal filters. First remove the metal grease-filter, as indicated for each model in the MAINTENANCE part, then place the charcoal filter in its seat just behind the grease filter.

LUC600 MODEL ONLY

Adjust the position of the hood horizontally and vertically by acting on its screws through its top hole, as per (fig. 12).

Remove the grease filter, held up by magnets, by pulling it downwards (fig. 13).

Remove the front light panel (white), also held up by magnets, by pulling it outwards

(fig. 13), then disconnect the bipolar electric connector. Insert the screw anchors and screws provided in the holes indicated by the arrows (fig. 14).

If the appliance is installed in the external extraction mode, remove the grid covering the motor air outlet (fig. 15).

Reinsert the grease filter and the light front panel, making sure the electric connector is connected properly.

ZZ801 MODEL ONLY

After the appliance is adjusted, fix it by inserting and tightening the safety screws properly (fig.16).

External extraction mode

Using the supplied wall plugs and screws, fix the tube support bracket (Des. 10) to the wall and/or the ceiling. The bracket must be fixed in a central position in respect of the air outlet flange.

Connect the motor air outlet flange to the exhaust hole, by using a suitable pipe. Perform the electric connection. Place the two ornamental pipes on the hood body; lift the internal pipe up until it reaches the ceiling; then fix it to the pipe bearing bracket, by using the two self threaded screws provided.

Perform the electric connection.

*** Filtering version**

Fix the air deflector to the pipe bearing bracket, by using the screws provided.

Fix the pipe bearing bracket to the wall and/or ceiling (Fig.17), centered to the hood.

Connect the motor air outlet flange to the air deflector, by using a suitable pipe. Perform the electric connection. Place the two ornamental pipes on the hood body; lift the internal pipe up until it reaches the ceiling; then fix it to the pipe bearing bracket, by using the two self threaded screws provided.

WORKING

LUC600 – MOT901 Model (fig. 18)

The rotary knob (fig. 18A) allows you to select the various functions of the appliance.

All the indicators (fig. 18B) are always lit in the standby function ; functions are selected

sequentially by turning the knob ; the desired function is set by pressing the knob.

– LIGHTS Indicator (fig. 18C)

This function allows you to switch the lights on or off; turn the rotary control until the function is selected, then set it by pressing the rotary control.

– Timer Indicator (fig. 18D)

By setting this control, at any speed, the appliance will be switched off after 10 minutes. It is necessary to select the control again in order to exit from this function. .

When the Timer function is set , the Timer indicator will flash and the corresponding speed indicator is lit.

– Speed Indicators (fig. 18E)

They are lit accordingly to the speed set. OFF Indicator (Fig.18F): This function allows you to completely switch off the motor; it is totally lit during selection and setting, while it is in standby afterwards.

MOT901 – MOT912 Model (fig. 19)

This model, in addition to the working features described in the paragraph above, has an automatic opening and closing system of the glass panel.

The opening of the glass panel corresponds to and varies according to the motor speed set. The panel is closed automatically, after the motor is switched off.

A safety device reverses the panel direction in case of impact with unusual surfaces during its normal travel.

All of the appliances are equipped with an electronic device allowing for automatic switching off after four hour working from the last operation performed.

Touch control (fig. 20)

A: Light switch On/Off

B: Reduce speed / OFF motor

C: Motor speed display

D: ON motor/increase speed

E: 10 – minute timer

The touch control key allows the function desired by touching the relative key.

If the electrical power supply to the product is cut, 15 seconds are needed for self diagnostics after the functions are restored. In the meanwhile, its operation may be incorrect.

TIMING

As a result of the new EU65 “Energy label” and EU66 “ Ecodesign” regulations issued by the European Commission, which came into force as from January 1st, 2015 , our products have been adapted to comply with these new requirements.

All of the models complying with the energy label requirements, are equipped with new electronics including a timer device for suction speeds control, when the air capacity exceeds 650m³/h.

Internal motor models, with maximum air capacity higher than 650m³/h, are equipped with a timer device that automatically switches the suction speed from 4th to 3rd speed, after 6 minutes operation.

The energy consumption of the appliance in standby mode is lower than 0.5W.

MAINTENANCE

An accurate maintenance guarantees good functioning and long lasting performance.

Particular care is due to the grease filter. It can be removed by following the instructions below:

MOT901, MOT912

Open the front glass panel by selecting the maximum speed, remove the steel grid by pulling it outwards (fig. 6), then act on the filter handle and rotate it outwards.

LUC600, ZZ801

Remove the filter from the hood by pulling it downwards (fig. 12).

Grease filters are inserted by following the reverse procedure.

After 30 hour working, the grease filter saturation will be signaled by the simultaneous lighting of speed indicators; select the timer function with the hood off to reset it.

The grease filter needs cleaning by regular hand washing or in dishwashers, every two months at least, or depending on its use.

* If the appliance is used in the recirculation mode, the activated charcoal filter needs to be replaced periodically. The charcoal filter is removed by removing the grease filter first, following the instructions above, then by pulling its special plastic tongue until it is released from its seat. The charcoal filter is inserted by following the reverse procedure.

Tepid water and neutral detergents are recommended to clean the appliance, while abrasive products should be avoided.

The power cord shall be replaced by authorized personnel only.

LED lamp replacement in LUC600 model:

Remove the two fixing screws (fig. 8) and rotate the led light panel , as per (fig. 9). Replace the damaged LED lamp with one of the same kind.

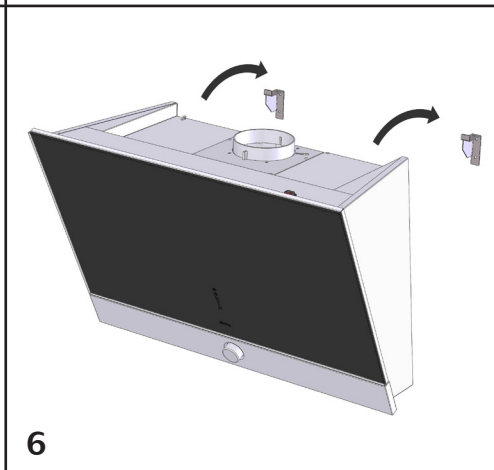
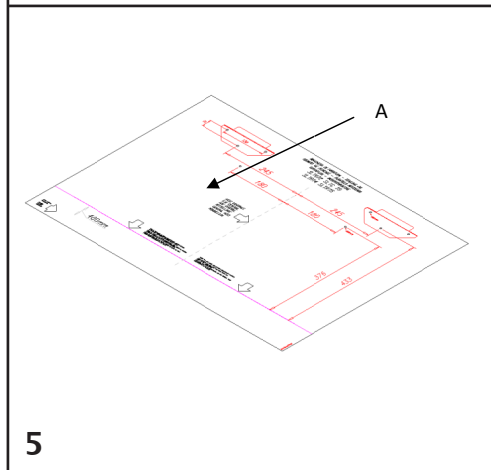
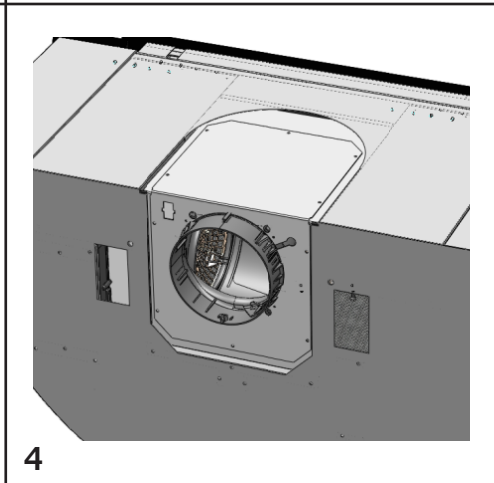
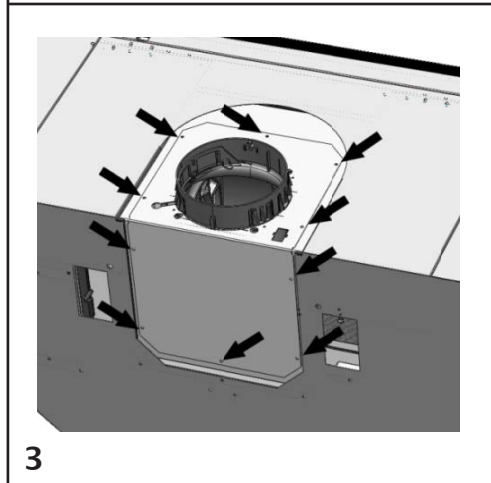
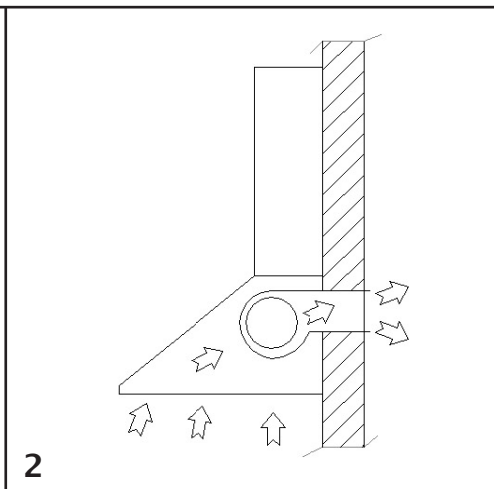
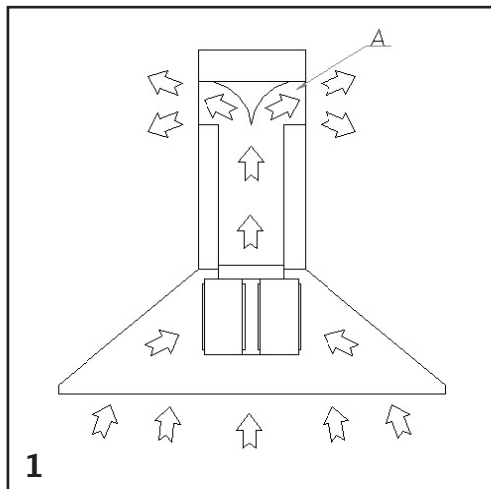
Reinsert the led light panel and fix it by using the screws previously removed.

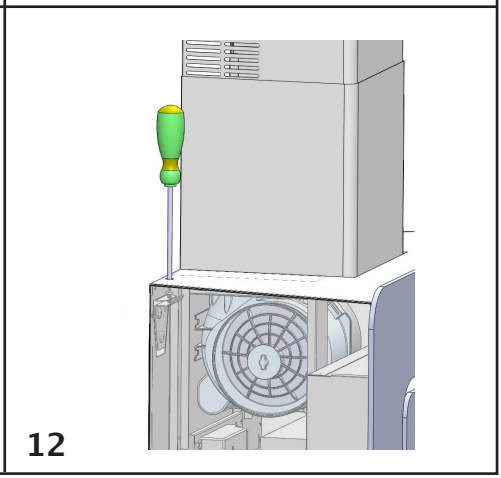
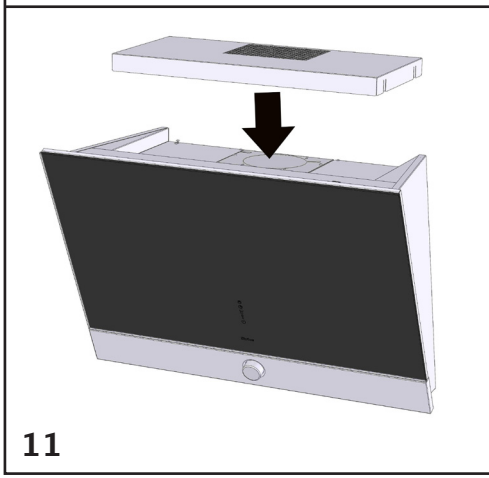
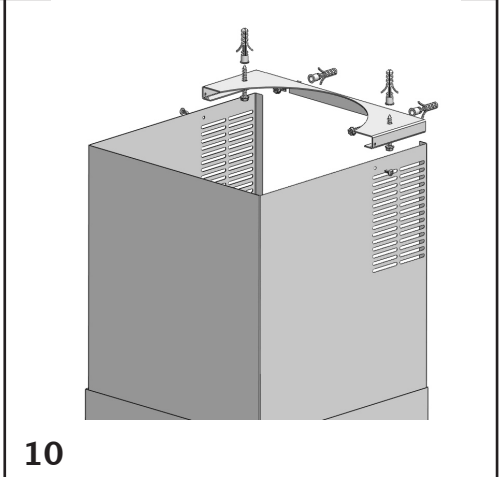
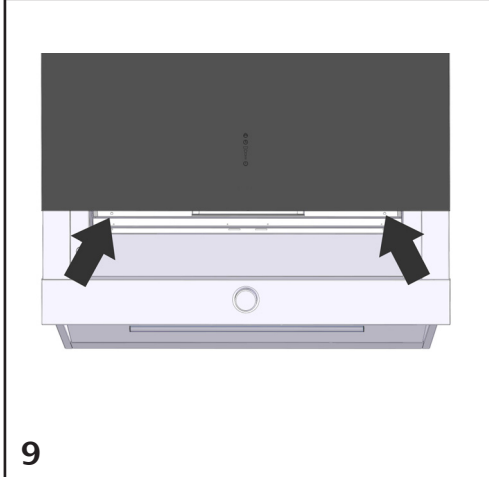
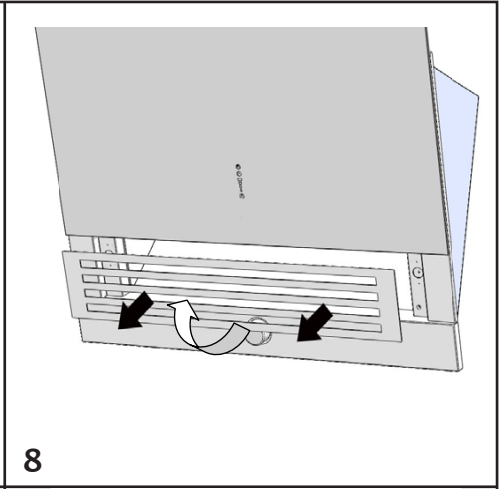
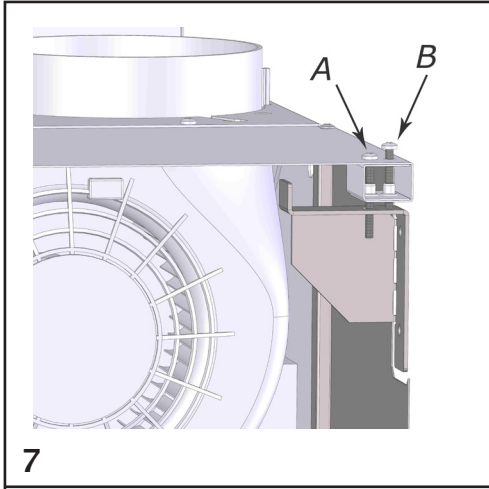
Replacement of the LED bar:

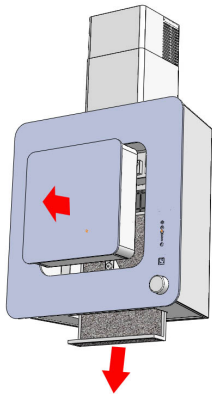
Using an appropriate tool, remove the LED bar from its seat (refer to Fig. 21), disconnect it electronically using the appropriate connector then substitute it with a LED bar with same characteristics.

Replacement Charcoal filters:

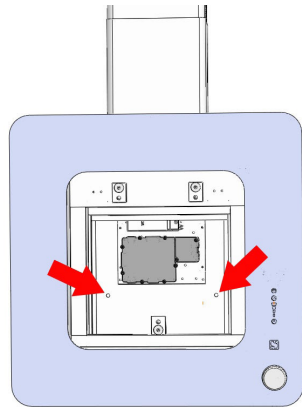
charcoal filters should be replaced every 6 months or depending on use. Replacement charcoal filters can be purchased on our website www.caple.co.uk or by calling our sales office on 0117 938 1900.



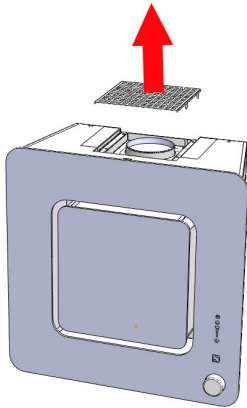




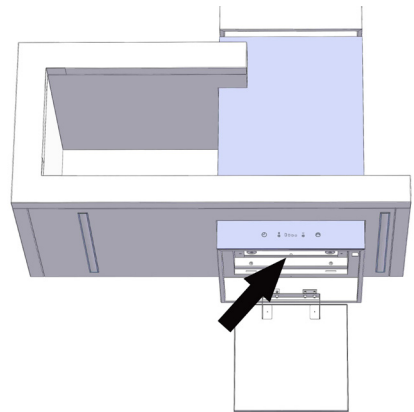
13



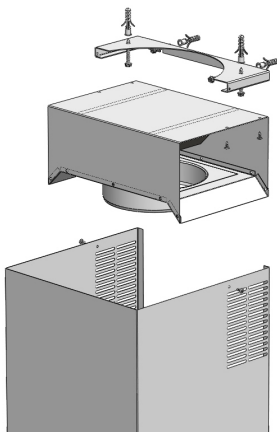
14



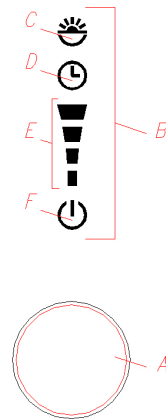
15



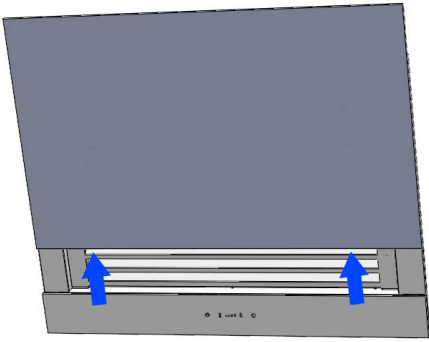
16



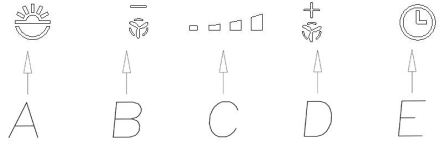
17



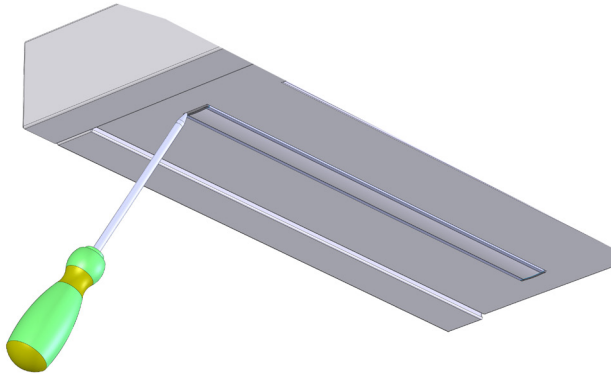
18



19



20



21

Serial number

Cable
Fourth Way
Avonmouth
Bristol
BS11 8DW
www.cable.co.uk

