



Tela Island Hood Instruction Manual

TEL900



Contact Cable on 0117 938 7420 for spare parts or www.cable.co.uk

CONTENTS

Safety Instructions	3
Environmental Protection	7
Installation	9
TEL900/SHELF	20
Maximum Load	37
Control Panel	38
Timing	39
Lighting	40
Cleaning and Maintenance	41
After Sales	44
Caple Contact Details	48

SAFETY INSTRUCTIONS

WARNING

- The cooking surface and the inferior part of the cooker hood must be at a minimum distance of 65 cm.
- The appliance is not intended for use by young children or infirm persons without supervision. Young children should be supervised to ensure they do not play with the appliance.
- The cooker hood, when evacuating the extracted air, could generate negative pressure in the room, which can't exceed the limit of 0.04 mbar, in order to avoid the suck of exhausts deriving from the heat-source. Therefore the room should be provided with air-intakes to allow a constant flow of fresh air.
- When performing the electrical connections on the appliance, please make sure that the current tap is provided with earth connection and that voltage values correspond to those indicated on the rating label placed inside the appliance itself.
- Please disconnect the appliance from power mains, before carrying out any cleaning or maintenance operation. If the appliance is not equipped with a nonseparable flexible cable and plug, or with another device ensuring omnipolar disconnection from the mains, with an opening distance between the contacts of at least 3 mm, then such disconnecting devices must be provided in the fixed installation.

- If the appliance is equipped with a power cord and a plug, it shall be placed in such a way that the plug can be reached easily.
- The use of materials which can burst into flames should be avoided in close proximity of the appliance. When frying, please pay particular attention to fire risk due to oil and grease. Being highly inflammable, fried oil is especially dangerous. Do not use uncovered electric grills. In order to avoid possible fire risk, all instructions for grease-filter cleaning and for removing eventual grease deposits should be strictly followed.
- Two persons are needed for the installation of this product.
- This appliance complies with all relevant local and national safety requirements. Inappropriate use can, however, lead to personal injury and damage to property.
- The cooker hood is not intended for outdoor use.
- It must only be used as a domestic appliance to extract vapours and remove odours from cooking. Any other usage is not supported by the manufacturer and could be dangerous.
- Where a recirculation cooker hood is fitted above a gas hob, please ensure that there is an adequate supply of fresh air into the room in which it is installed. Please seek the advice of a qualified gas fitter (e.g. GasSafe in the UK) if necessary.

- Children under 8 years of age must be kept away from the cooker hood unless they are constantly supervised.
- Children 8 years and older may only use the cooker hood unsupervised if they have been shown how to use it safely and recognise and understand the consequences of incorrect operation.
- The electrical safety of this appliance can only be guaranteed when correctly earthed. It is essential that this standard safety requirement is met. If in any doubt please have the electrical installation tested by a qualified electrician.
- Do not connect the appliance to the mains electricity supply by a multi-socket unit or an extension lead. These are a fire hazard and do not guarantee the required safety of the appliance.
- The cooker hood can get very hot during cooking due to heat rising from the hob.
- Do not touch the housing or the grease filters until the

APPROPRIATE USE:

- This appliance is intended to be used in household and similar applications such as:
 - › Staff kitchen areas in shops, offices and other working environments.
 - › Farm Houses.
 - › By clients in hotels, motels and other residential type environments.
 - › Bed and breakfast type environments.



ENVIRONMENTAL PROTECTION

Waste electrical products should not be disposed of with household waste. Please recycle where facilities exist. Check with your Local Authority or retailer for recycling advice. This appliance is marked according to the European directive on Waste Electrical and Electronic Equipment (WEEE).

By ensuring this product is disposed of correctly, you will help prevent potential negative consequences for the environment and human health, which could otherwise be caused by inappropriate waste handling of this product. The symbol on the product indicates that this product may not be treated as household waste. Instead it shall be handed over to the applicable collection point for the recycling of electrical and electronic equipment. Disposal must be carried out in accordance with local environmental regulations for waste disposal.

For more detailed information about treatment, recovery and recycling of this product, please contact your local council, your household waste disposal service or the retailer where you purchased the product.

WARRANTY

Your new appliance is covered by warranty. The warranty card is enclosed - if it is missing, you must provide the following information to your retailer in order to receive a replacement: date of purchase, model and serial number. Registration can also be completed online by visiting www.caple.co.uk.

Ensure you keep your warranty card safe, you may need to show it to Caple Service together with proof of purchase. If you fail to show your warranty card you will incur all repair charges.

Spare parts are only available from Caple Service and spare parts authorised centres.

CE DECLARATIONS OF CONFORMITY



This appliance has been manufactured to the strictest standards and complies with all applicable legislation, Low Voltage Directive (LVD) and Electromagnetic Compatibility (EMC).

UKCA DECLARATIONS OF CONFORMITY **UK CA**

This appliance has been manufactured to the strictest standards and complies with all applicable legislation.

TECHNICAL FICHE

This appliance conforms to all current and applicable energy regulations. To view the Technical Fiche that supports the energy labelling data, please visit the product page on our website www.cable.co.uk.

INSTALLATION

This appliance can be used in recirculation mode only. In recirculation mode the air and fumes conveyed by the appliance are cleaned by both a grease filter and an active charcoal filter, and then released back into the room.

Prior to installation, make sure that the packaging is intact and all the parts are unbroken, otherwise stop the installation and contact your retailer. The manufacturer is not responsible for damages caused by material handling or product installation.

Before installing the appliance read all these instructions carefully.

WARNING:

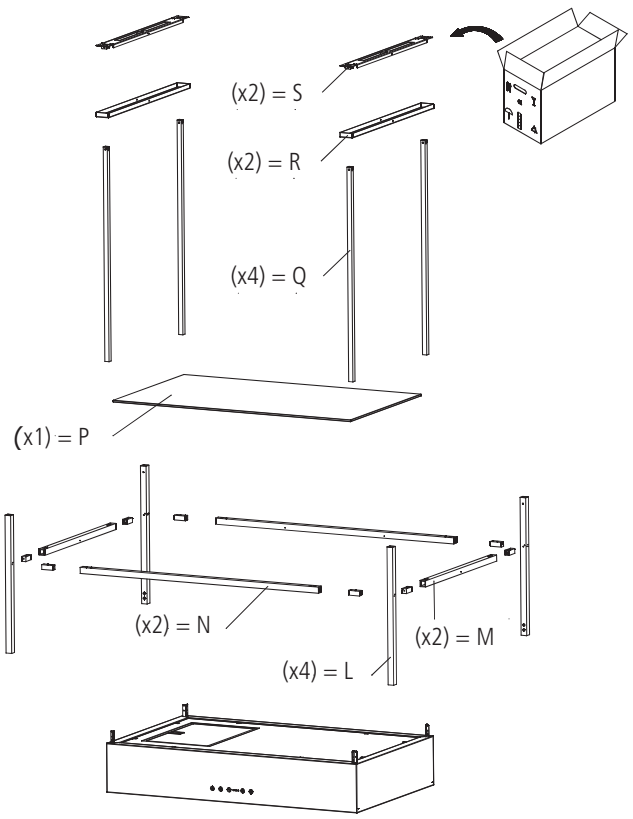
This product must be installed by at least 2 people.

Start by removing the parts from the packaging and lay it on a suitable surface such as a soft material such as sponge or fabric to protect the surface of the hood.

NOTE:

The following instructions are for installing the appliance only. If installing the appliance with the TEL900/SHELF unit (sold separately), follow the installation instructions in 'TEL900/SHELF'.

WHAT'S IN THE BOX



Ø8 (x10) = A



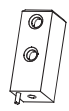
4.8 x 38 (x10) = B



4 x 16 (x12) = I



3.5 x 6.4 (x10) = D



(x8) = O



M4 x 25 (x4) = E



M4 (x4) = F



Ø12 x 18 (x6) = G



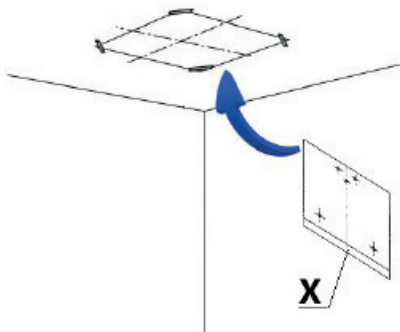
M4 x 10 (x24) = H



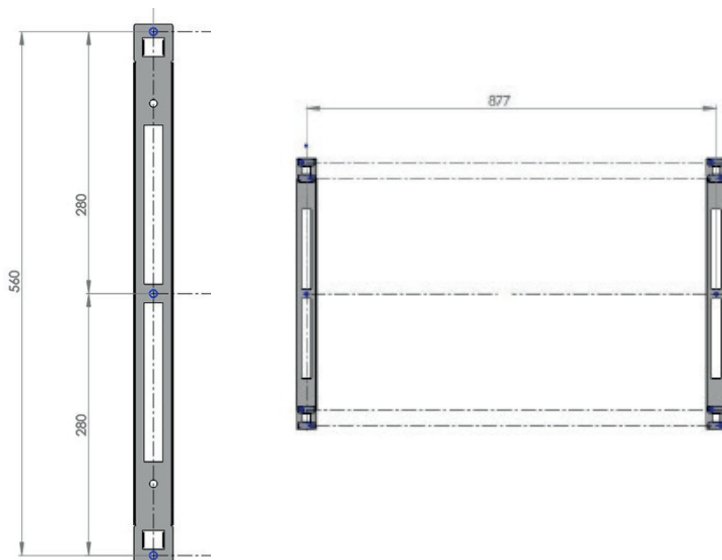
(x1) = X

Start by removing the product from the packaging and lay it on a suitable surface such as a soft material to protect the surface of the hood.

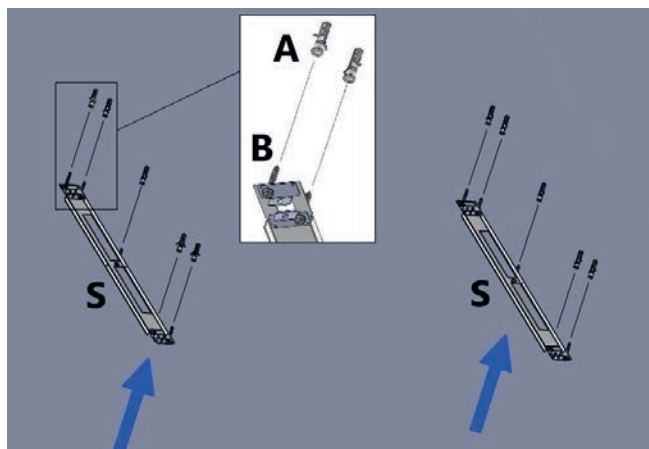
1. Using the supplied drilling template (X), mark and drill the installation holes indicated by the template.



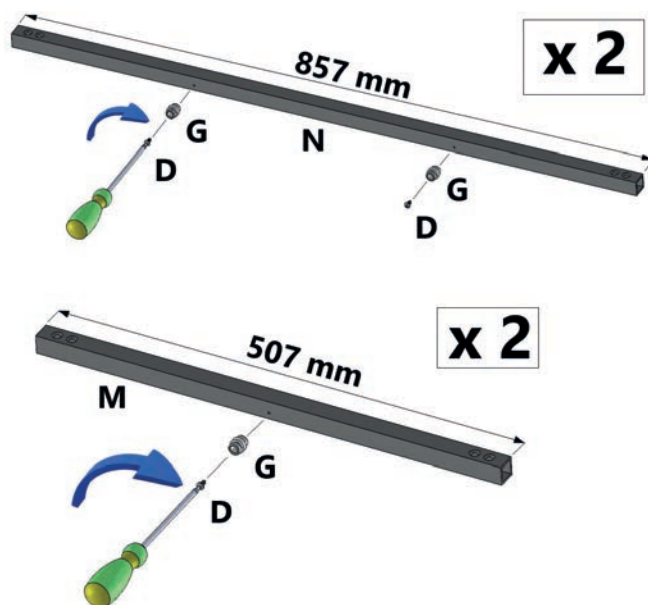
2. Make 10 x 8mm holes for the fixing plugs (A) using the following dimensions.

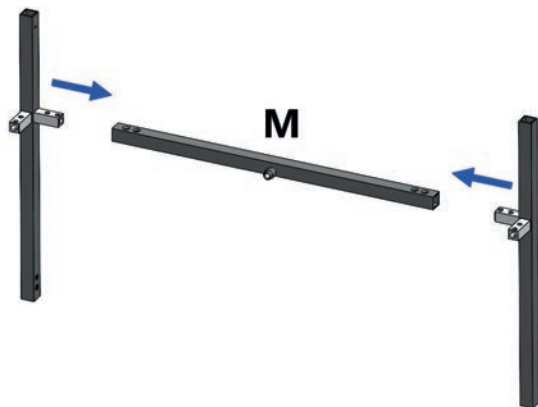
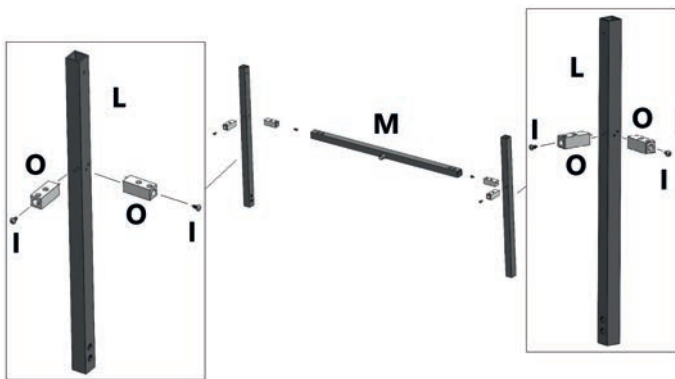


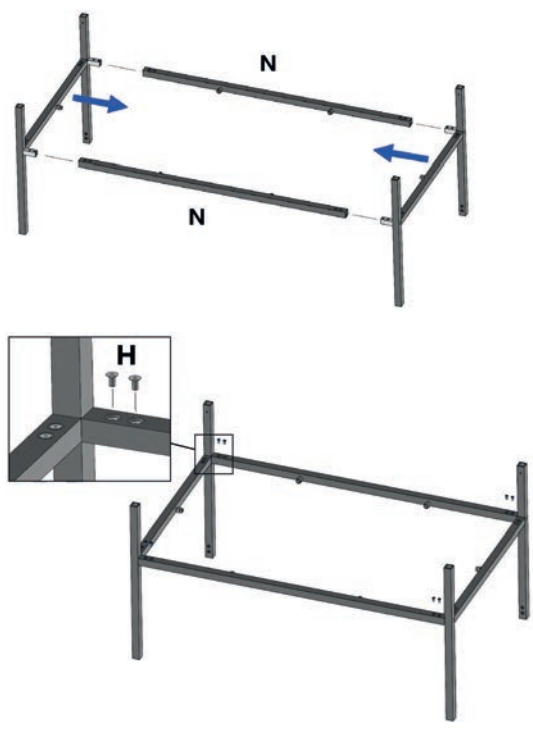
3. Fix the brackets (S) to the ceiling using the plugs (A) and screws (B) supplied.



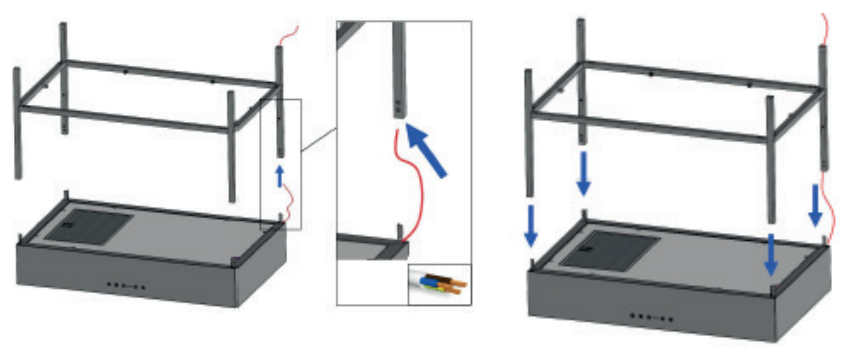
4. Assemble the frame as shown in the following images.



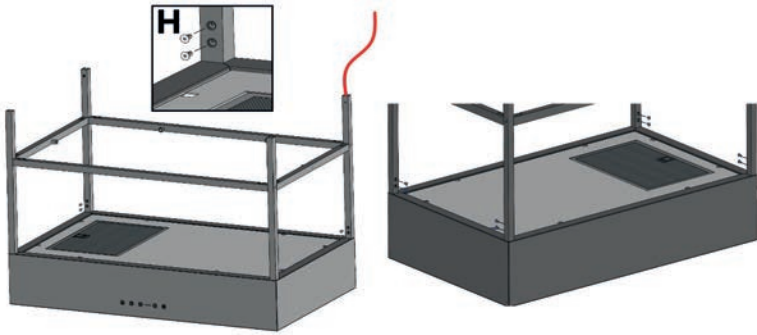




5. Thread the power cable through the frame, then place the frame onto the hood.



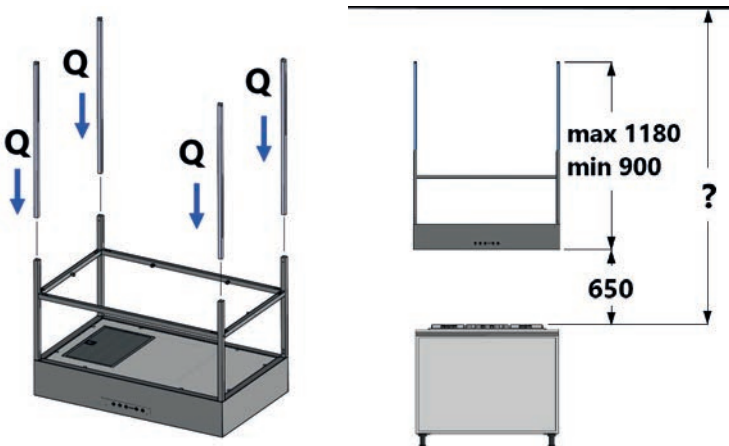
6. Fix the frame to the hood using the screws (H) provided.



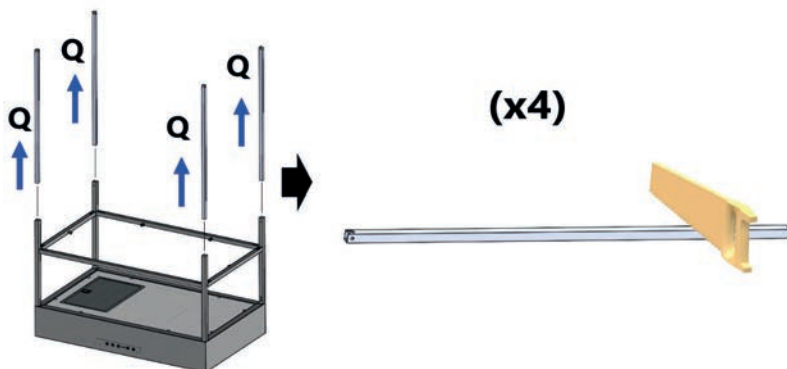
7. Temporarily place the upper legs (Q) onto the frame (L) and check that when installed, the hood will be the required distance shown below.

NOTE:

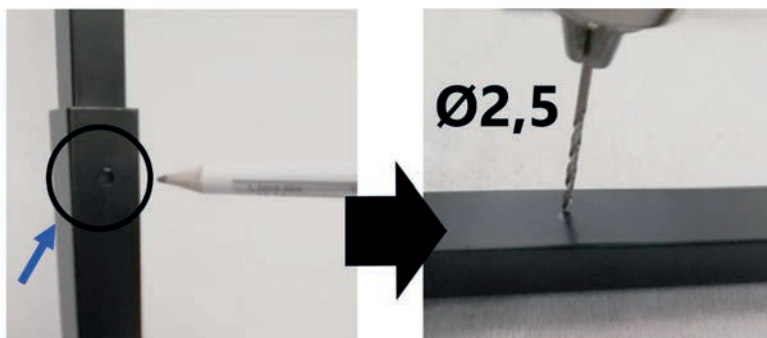
The cooker hood should be placed at a minimum distance of 65cm above the hob. It is the manufacturer of the hob who determines the clearance required and the clearance quoted by the hob manufacturer must be followed. In the absence of any instructions supplied with a gas hob the minimum distance between the hob and the hood must be at least 760mm.



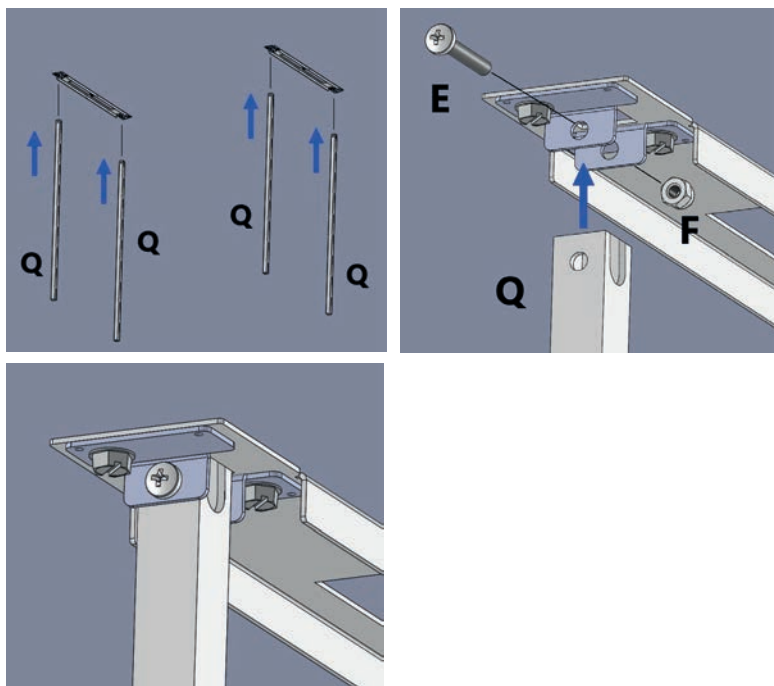
8. If necessary, with a suitable metal saw carefully cut down the upper legs (Q) to the required size.



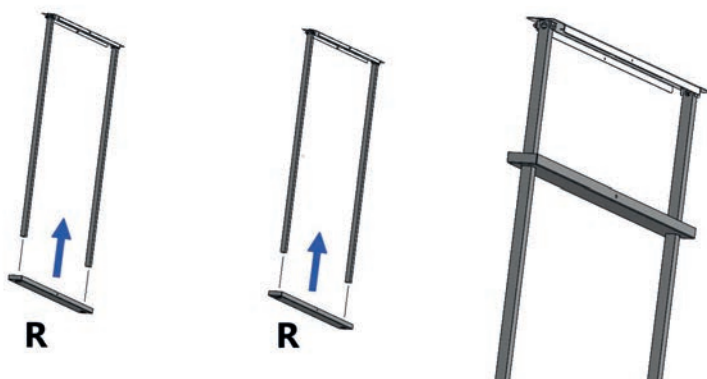
9. Place the upper legs (Q) onto the structure (L).
10. Once aligned correctly, mark the location on the upper legs (Q).
11. Remove the upper legs (Q) from the structure (L) and use a $\text{\O}2,5\text{mm}$ drill bit to create a hole in one side of each upper leg (Q).



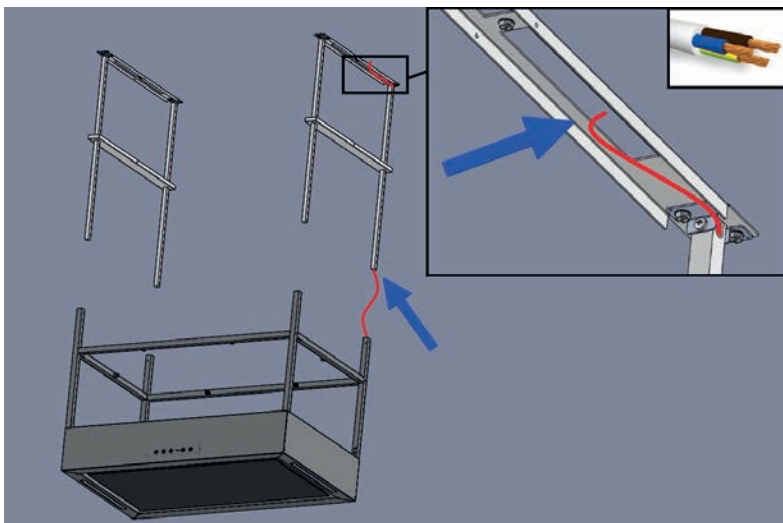
12. Fix the upper legs (Q) to the previously installed ceiling brackets (S) using the fixings (E +F) supplied.



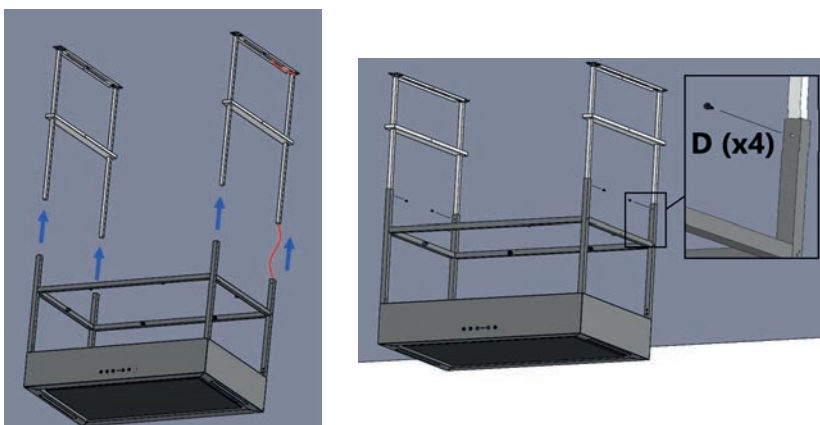
13. Place the bracket covers (R) through the upper legs (Q).



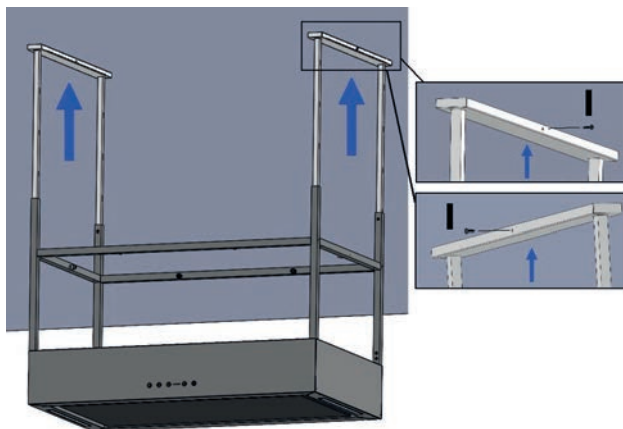
14. Push the electrical cable from the top of the structure (L) into the bottom of the upper leg (Q).
15. Continue to push it through the top of the upper leg (Q) and in between the ceiling bracket (S).



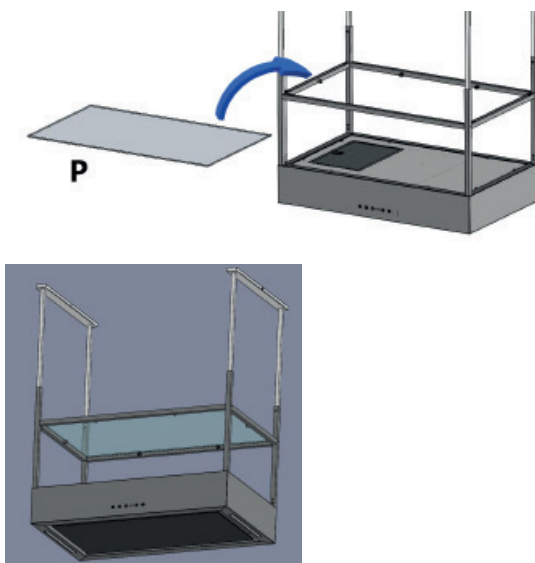
16. Lift the hood/structure up and fix to the upper legs (Q) using the fixings (D) supplied.



17. Fix the covers (R) to the ceiling brackets (S) using the fixing (I) supplied.



18. Install the glass shelf (P).



TEL900/SHELF

The Tela shelf unit is available to purchase separately and can be installed either side of the hood.

WHAT'S IN THE BOX



Ø8 (x5) = A



M4 x 25 (x2) = E



4.8 x 38 (x5) = B



M4 x 10 (x24) = H



M4 x 16 (x2) = T



4 x 16 (x10) = I



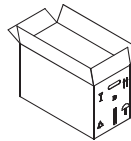
3.5 x 6.4 (x13) = D



M4 (x2) = F



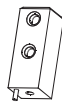
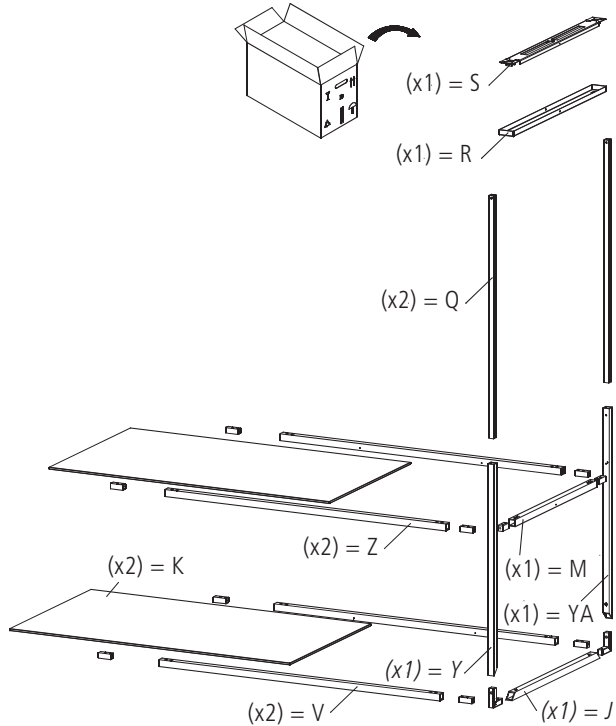
Ø12 x 18 (x11) = G



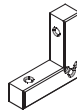
(x1) = S

(x1) = R

(x2) = Q



(x8) = O



(x2) = W



(x2) = U



(x1) = X

INSTALLATION

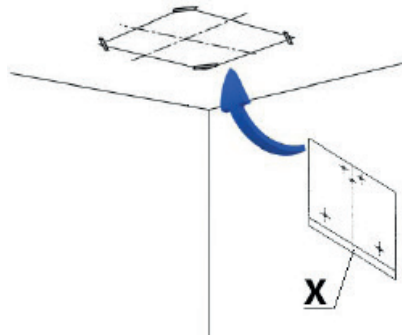
IMPORTANT:

The TEL900/SHELF is to be installed at the same time as the TEL900 extractor.

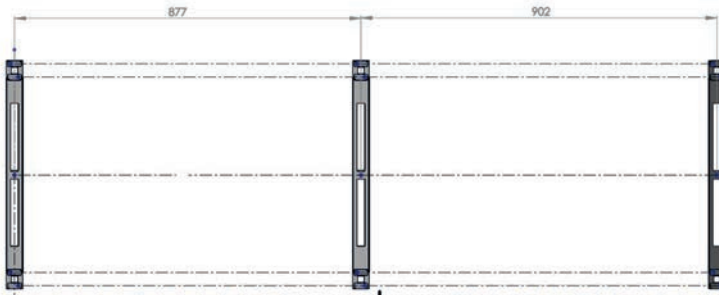
If the extractor has already been installed, this will have to be uninstalled from the ceiling and the appliance electricians disconnected before.

Start by removing the product from the packaging and lay it on a suitable surface such as a soft material to protect the surface of the hood.

1. Using the supplied drilling template (X), mark and drill the installation holes indicated by the template.

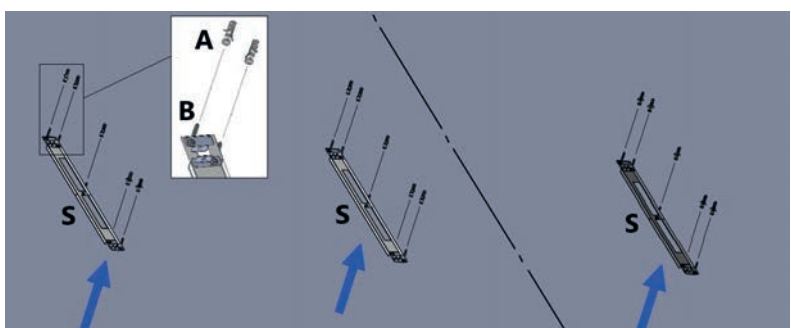


2. Make 15 x 8mm holes for the fixing plugs (A) using the following dimensions.

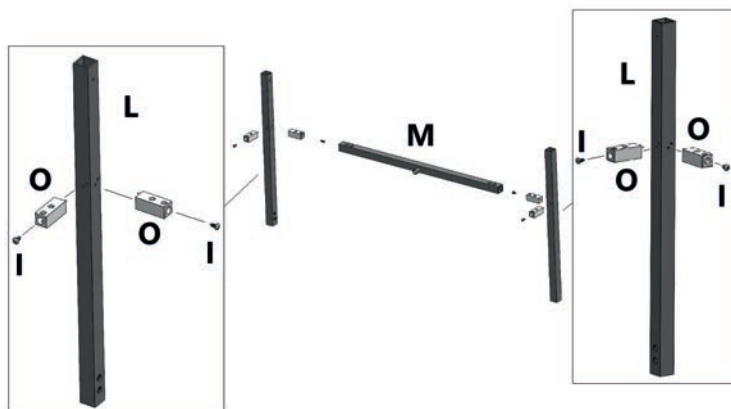
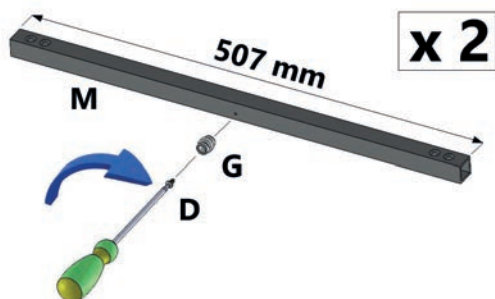
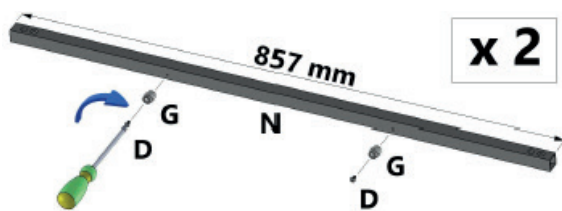


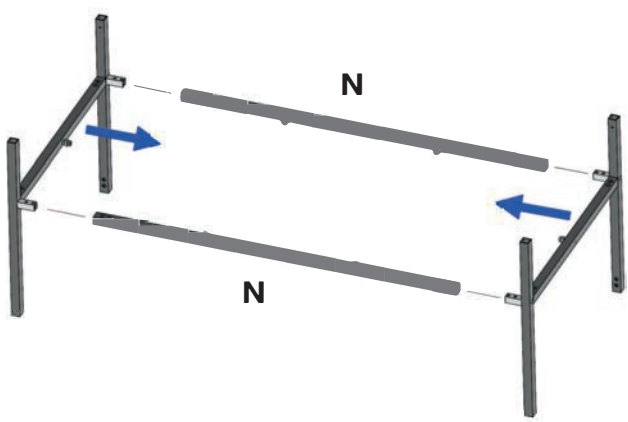
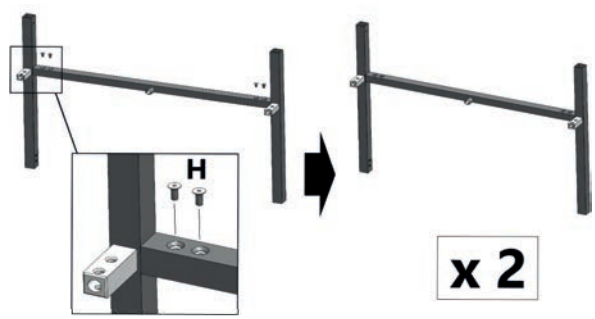
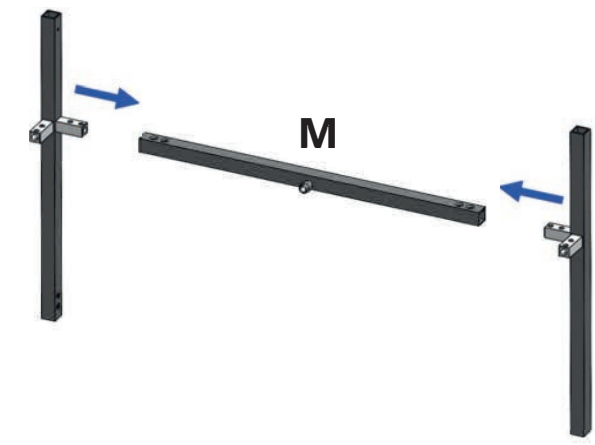


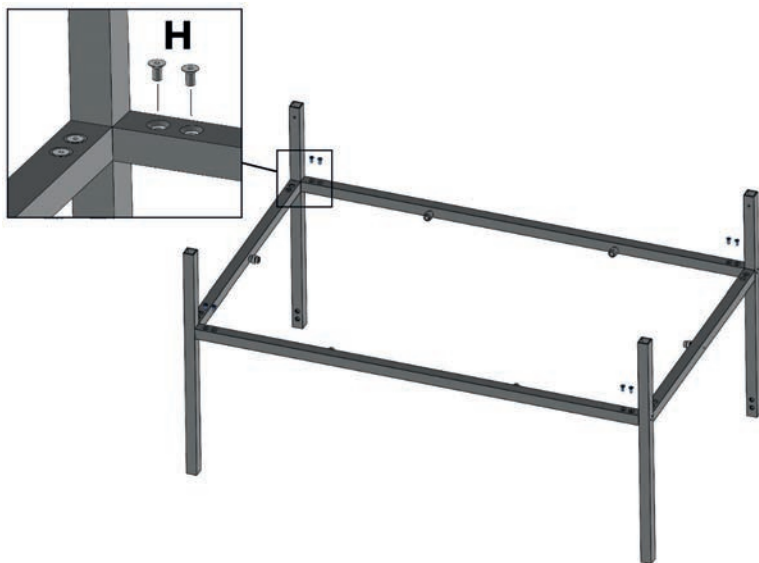
3. Fix the brackets (S) to the ceiling using the plugs (A) and screws (B) supplied.



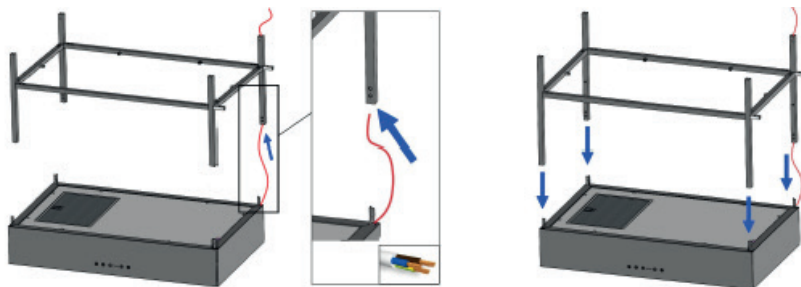
4. Assemble the hood frame as shown in the following images.



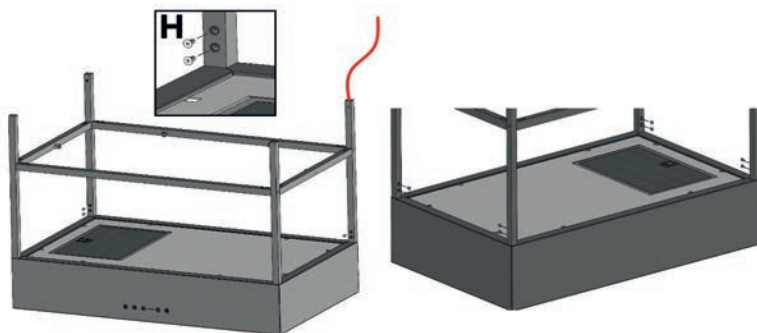




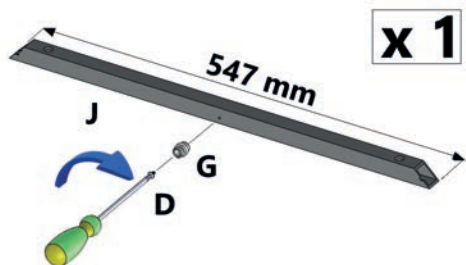
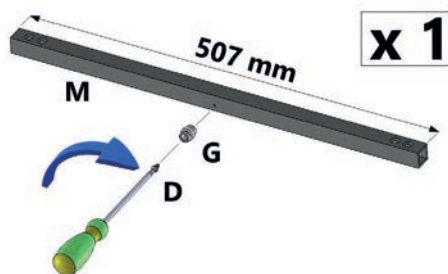
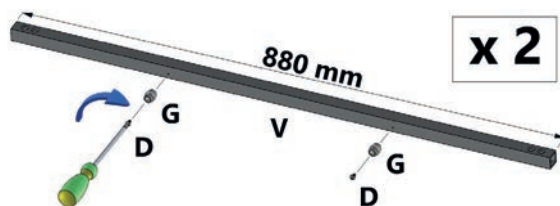
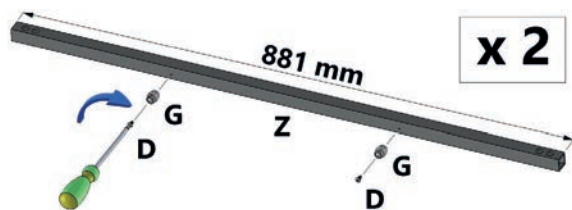
5. Thread the power cable through the frame, then place the frame onto the hood.

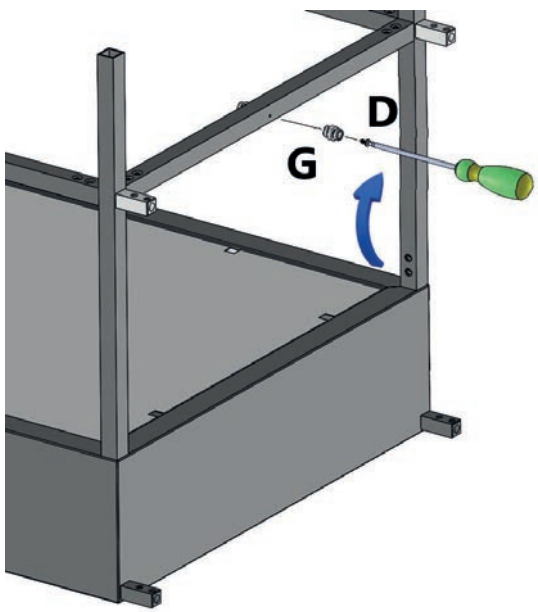
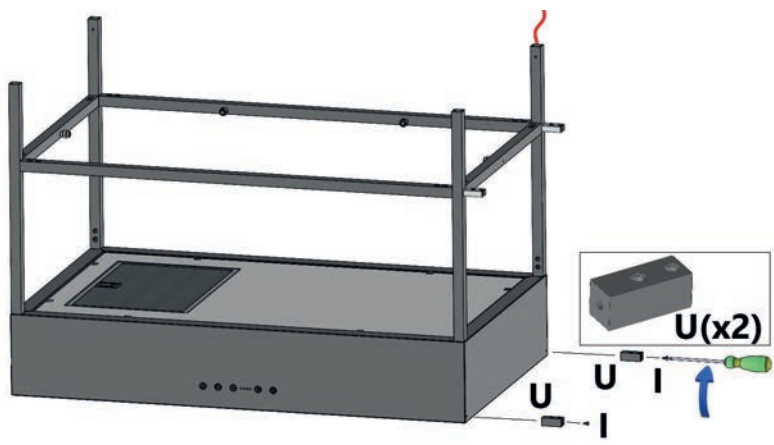


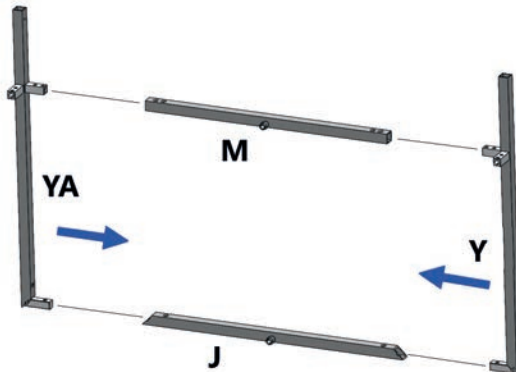
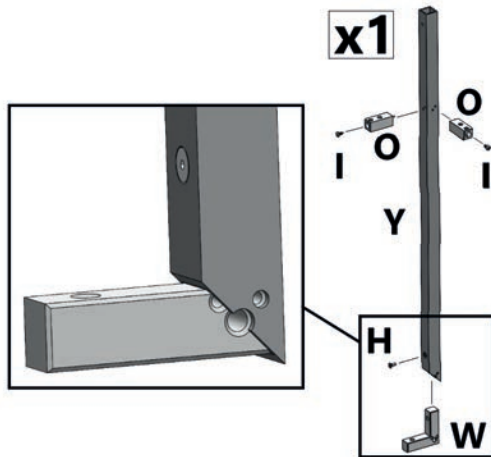
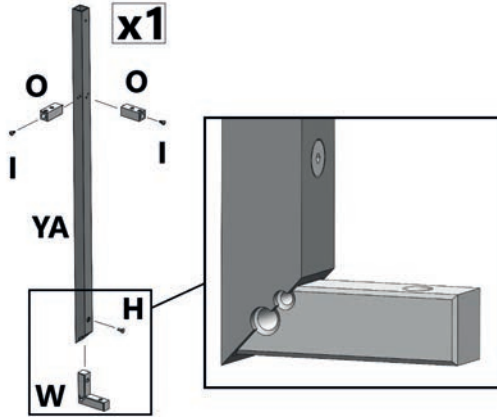
6. Fix the frame to the hood using the screws (H) provided.

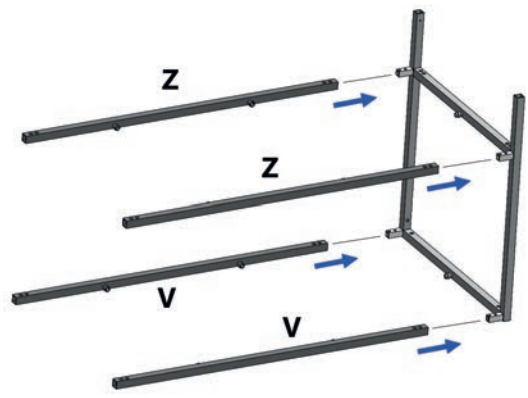
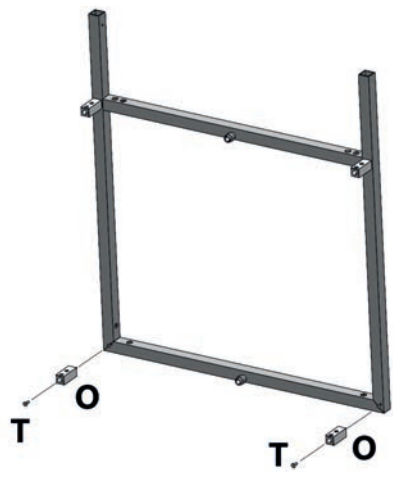
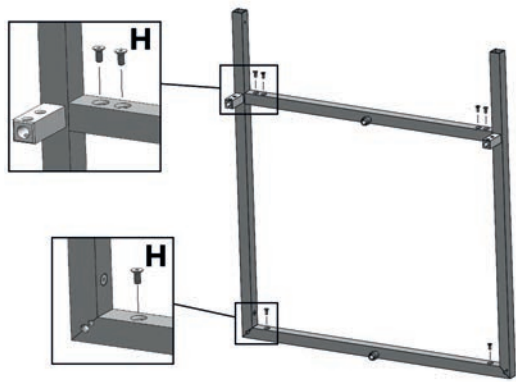


7. Assemble the shelf unit frame as shown in the following images.



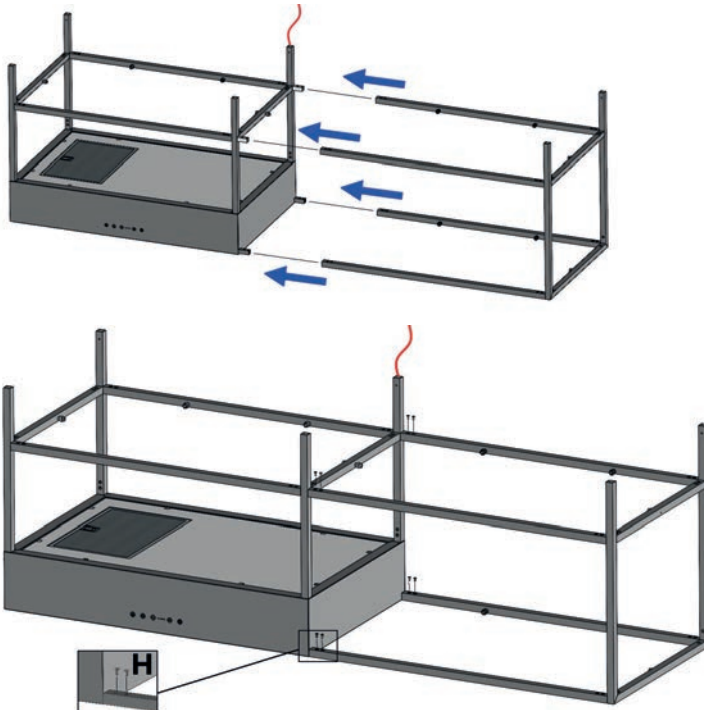








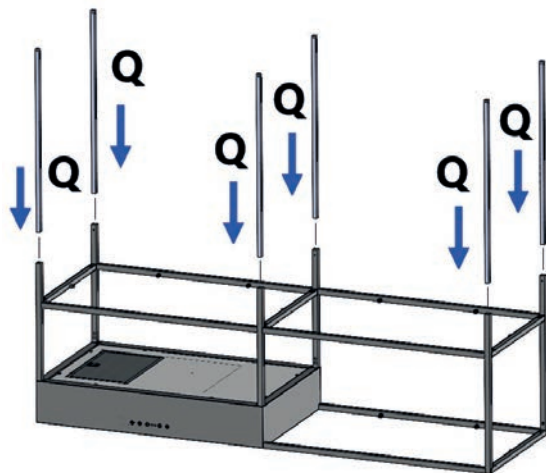
8. Fix the shelf unit frame to the hood using the screws (H) provided.



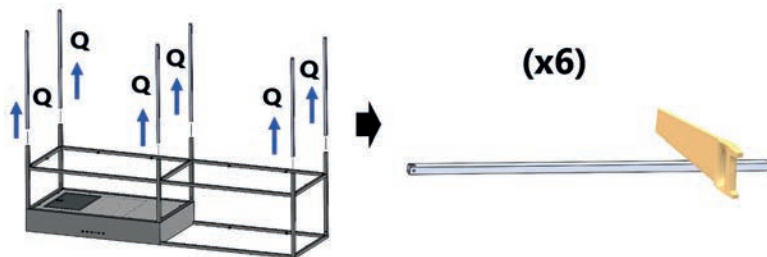
- Temporarily place the upper legs (Q) onto the frame and check that when installed, the hood will be the required distance shown below.

NOTE:

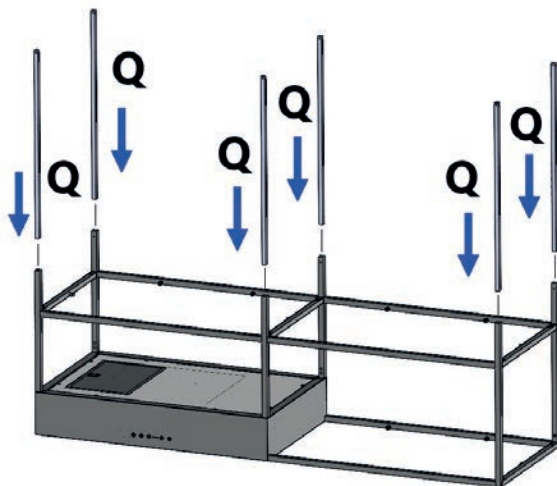
The cooker hood should be placed at a minimum distance of 65cm above the hob. It is the manufacturer of the hob who determines the clearance required and the clearance quoted by the hob manufacturer must be followed. In the absence of any instructions supplied with a gas hob the minimum distance between the hob and the hood must be at least 760mm.



- If necessary, using a suitable metal saw, cut down the upper legs (Q) to the required size.

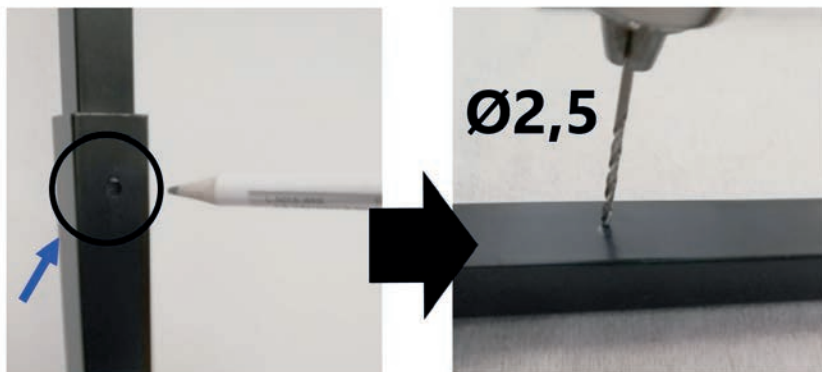


11. Place the upper legs (Q) onto the structure.

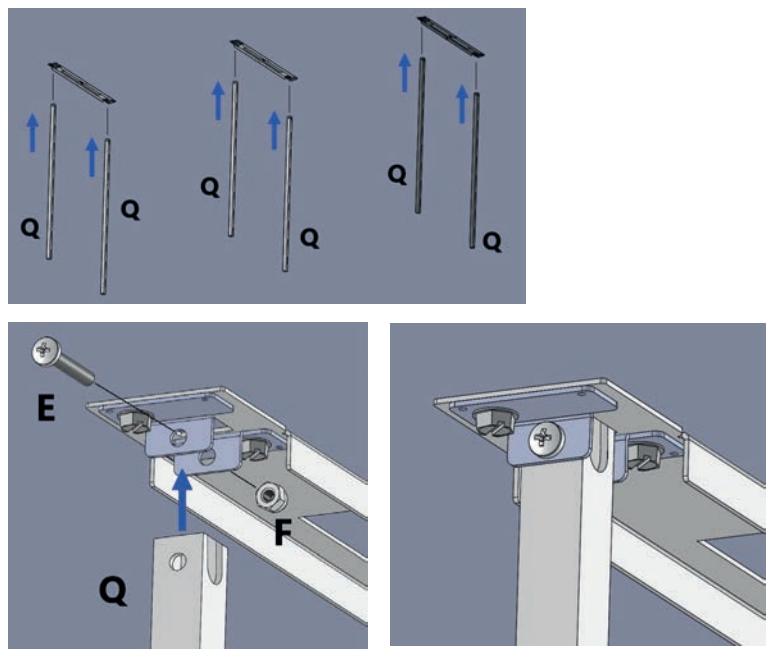


12. Once aligned correctly, mark the location on the upper legs (Q).

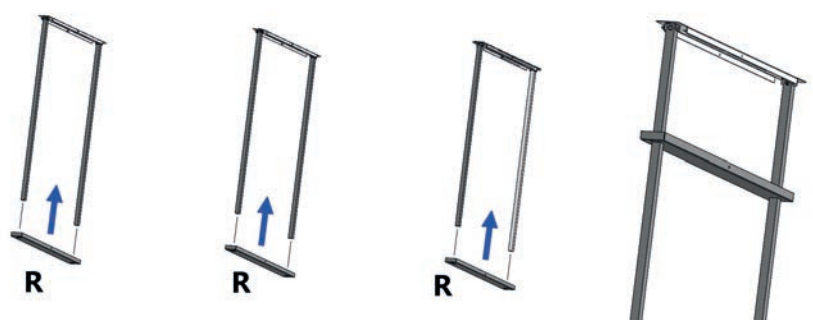
13. Remove the upper legs (Q) from the structure and use a $\text{Ø}2,5$ drill bit to create a hole in one side of each upper leg (Q).



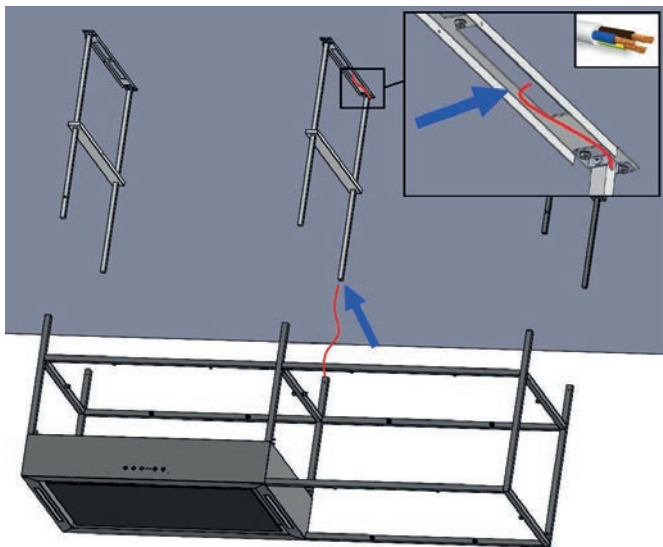
14. Fix the upper legs (Q) to the previously installed ceiling brackets (S) using the fixings (E+F) supplied.



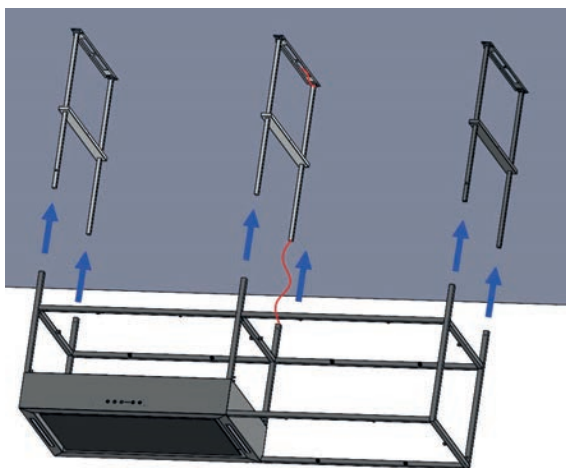
15. Place the bracket covers (R) through the upper legs (Q).

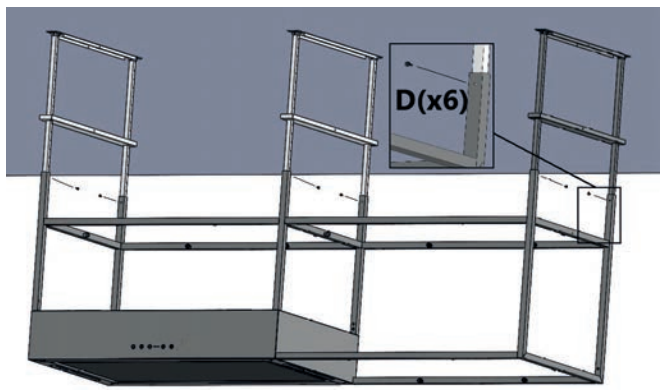


16. Push the electrical cable from the top of the structure into the bottom of the upper leg (Q).
17. Continue to push it through the top of the upper leg (Q) and in between the ceiling bracket (S).

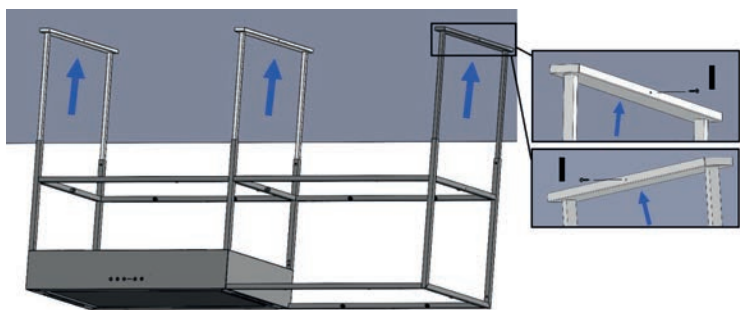


18. Lift the hood/structure up and fix to the upper legs (Q) using the fixings (D) supplied.

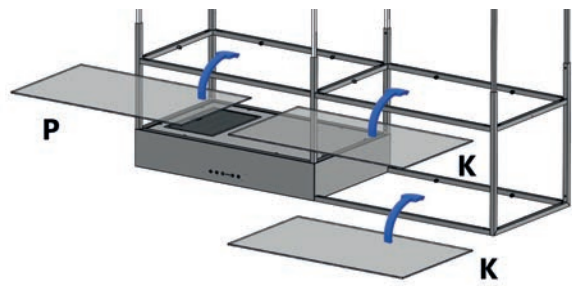




19. Fix the covers (R) to the ceiling brackets (S) using the fixing (I) supplied.



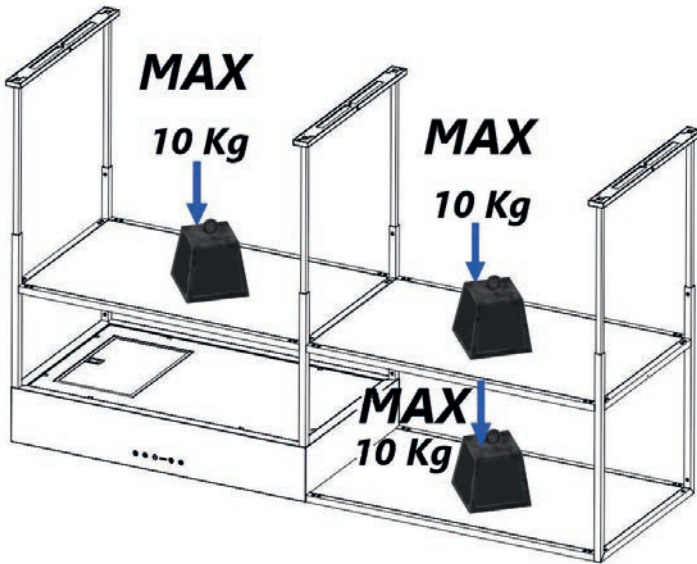
20. Install the glass shelves (P) and (K).



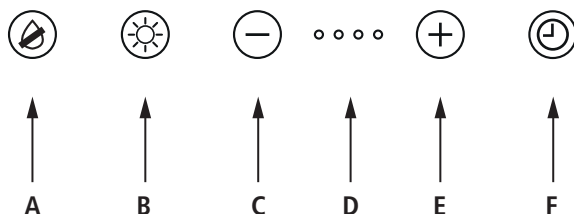
MAXIMUM LOAD

IMPORTANT

Make sure the total weight placed on top of the shelving does not exceed those shown in the following image.



CONTROL PANEL



- A. ANTI-CONDENSATION SYSTEM switch on/off
This is an innovative anti-condensation system, based on thermal resistances inside the glass panel. By heating the surface in contact with the vapours coming from the induction hob, this system reduced condensation and helps prevent water drops developing and falling on the hob. It is recommended to switch on the hood a few minutes before starting cooking to allow the lower surfaces to heat up and keep it running until the odours disappear. The anti-condensation button is only active and appears red when the motor is running. If the motor is switched off, the anti-condensation button will turn off also.
- B. Light switch on/off
- C. Reduce speed
- D. Display
- E. Increase speed
- F. 10-minute timer

The Timer function is designed to stop extraction, the anti-condensation system and turn off the lights (if switched on) 10 minutes after being set. The function can be cancelled by increasing/ decreasing the speed, pressing the Timer button again or switching off the hood.

AUTOMATIC TURN OFF

After 4 hours of continuous working from the last function selection, the appliance automatically turns off.

TIMING

- › This product is equipped with intelligent electronics which include a timer device for speed controls when the air capacity exceeds 650m³/h. Internal motor models, with maximum air capacity higher than 650m³/h, are equipped with a timer device that automatically switches the speed from 4th to 3rd speed, after 5 minutes operation.
- › External motor models are equipped with remote motors that, as for internal motor versions, include a timer device that switches down the speed when it exceeds 650 m³/h. (See External Motors Instructions). Remote motors, whose air capacity exceeds 650m³/h at both 4th and 3rd speed, will have the following by default timer control functions: The speed is automatically switched from 4th to 2nd speed, after 6 minutes operation.
- › If the appliance is working at 3rd speed, it is automatically switched to 2nd speed, after 7 minutes operation. Operation speeds can also be changed during operation. The energy consumption of the appliance in standby mode is lower than 0.5W.

FILTER SATURATION WARNING ALARM

After 30 hours of cumulative work, the filter saturation alarm is signalled through the blinking of the speed indicators for 30 seconds after the product has been turned off.

To reset the alarm, press the Timer button during signalling.

The alarm signal automatically resets after an additional 10 hours of continuous work from the product.

TEMPERATURE SENSOR FAULT

In the event of a failure of the temperature sensor, the anti-condensation button flashes red and the function will not operate. For further assistance, please contact Caple Service.

LIGHTING

DIMMABLE LIGHTS FUNCTION

This function provides for lights dimmability, ranging from 20% to 100%, by continuously pressing the light key on the control panel.

Functions are the following:

- › Hood light off - press the light key - light on at 100%.
- › Light on at 100% - press the light key - light off.
- › Light on at 100% - continuously press the light key - brightness reduction.
- › Releasing the key during reduction or increase - light keeps the luminous intensity reached.
- › Light on - dimmed - continuously press the light key - brightness is inverted if compared to the previous function.

COLOUR TEMPERATURE SETTING

Make sure that the lights and the fan are Off.

Holding down the TIMER key will turn on the light at the previously set colour temperature. Press and hold the Light key to change the colour temperature.

As long as the key is continuously pressed, the colour temperature is changed from warm to cold. Stop pressing the Light key to select the desired colour.

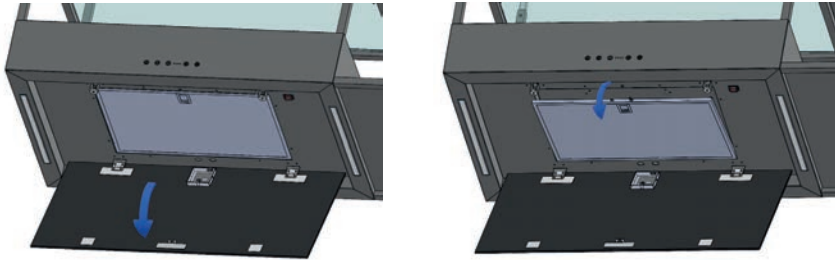
Exit the colour temperature selection function by pressing the ON/OFF key.

CLEANING AND MAINTENANCE

Careful maintenance ensures smooth operation and long-lasting performance.

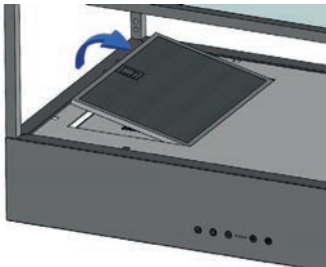
GREASE FILTERS

Particular care must be made when handling the grease filter. Access by pulling gently on the glass panel underneath the hood. Remove the grease filter by pulling its handle. To replace the grease filter after cleaning, fulfill the same operation in reverse order.



CHARCOAL FILTER

The charcoal filter is located on top of the appliance and can be removed by pulling the clip until it is unfastened from its slot. Reinsert the charcoal filter by performing the opposite operation.



To clean the charcoal filters, wash by hand with warm water or in the dishwasher at the highest temperature, using a common cleanser; maximum temperature 70°C. It is recommended to wash the filter alone without other dishes to prevent traces of food from settling on the filter causing bad odours.

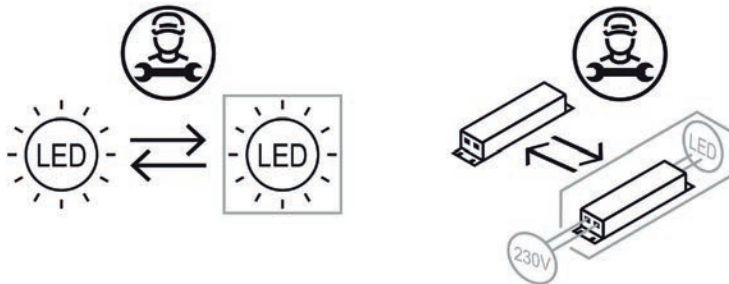
After washing, leave the filter to dry thoroughly in the dishwasher or in the environment. Then bake in the oven at 90 degrees for 1 hour. It is recommend to wash and regenerate the filters at least once every two months.


The active charcoal filter can be washed and re-used for up to a maximum 3 years. We recommend that these are replaced after this period. To purchase a replacement charcoal filter (CAP86CF) please visit www.caple.co.uk.

REPLACING LED LIGHTING

LIGHT SOURCE ENERGY CLASS

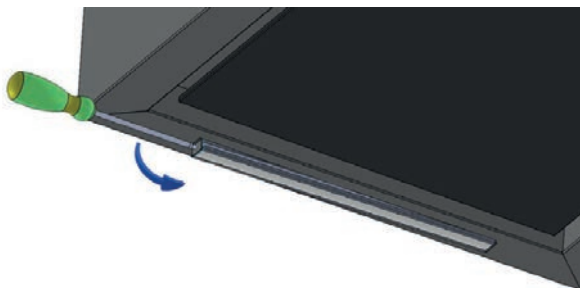
This product contains a light source of energy efficiency class F.



 The LED light must be replaced by an authorised engineer or similar only. For more information, please contact Caple service - 0117 938 7420 or service@caple.co.uk

 Unplug the unit from the power supply before starting the process.

1. Carefully remove the LED bar using an appropriate tool.
2. Disconnect the connector and change the LED light.
3. Implement the steps in reverse order.
4. After waiting 5 minutes, plug in the unit.



AFTER SALES SERVICE

Any maintenance operation on your appliance should be carried out by:

- › Either your retailer;
- › Or another Caple approved engineer or similar qualified person.

If a problem still persists and further assistance is required, please contact our Caple after sales team on:

T - 0117 938 7420

E - service@caple.co.uk

NOTES

NOTES

NOTES



Caple Service
Fourth Way
Avonmouth
Bristol
BS11 8DW

T: 0117 938 1900
E: service@caple.co.uk
www.caple.co.uk