



PI400

Plaza 40cm cuboid island hood



Instruction Manual



PI400

Plaza 40cm cuboid island hood

M405

- Motor: **800m³/h**
Aluminium die-cast motor housing
- Absorption: **200W**
- Pressure: **460 Pa**
- Noise level: **59 dBA**



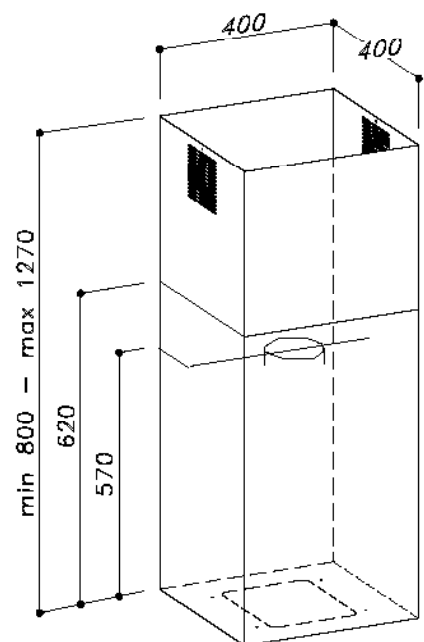
-
- Lighting: 1x50W dichroic lamp



-
- Control panel: remote control

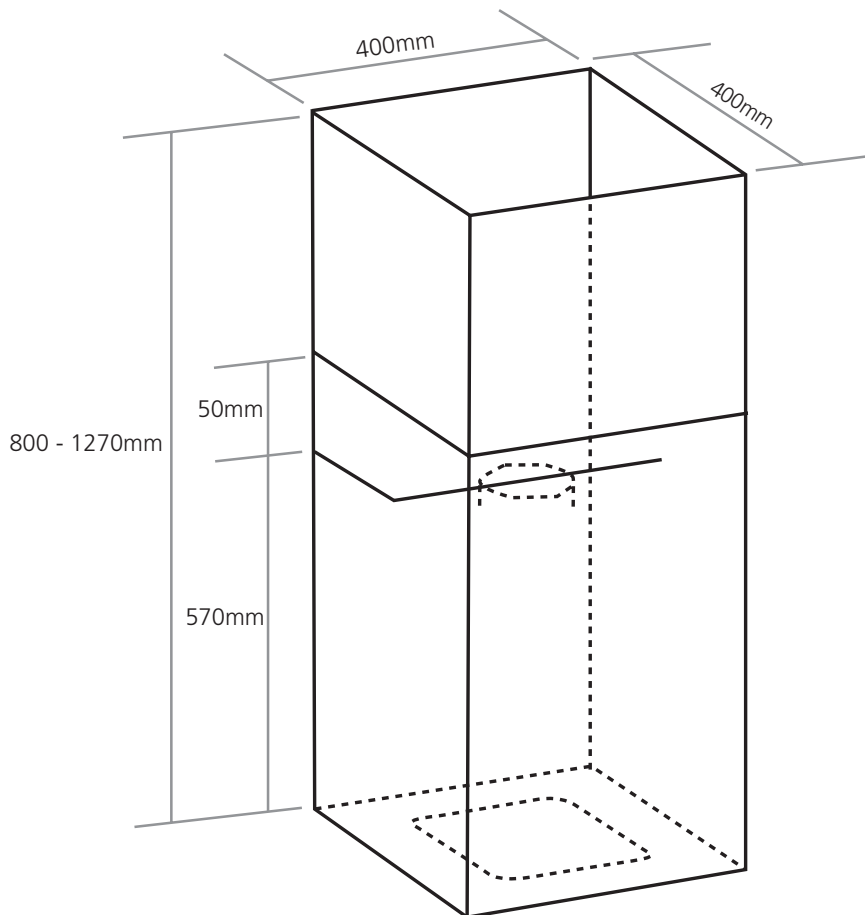


-
- grease filter: anodized aluminium (5+1 layers)
 - Stainless steel: AISI 304

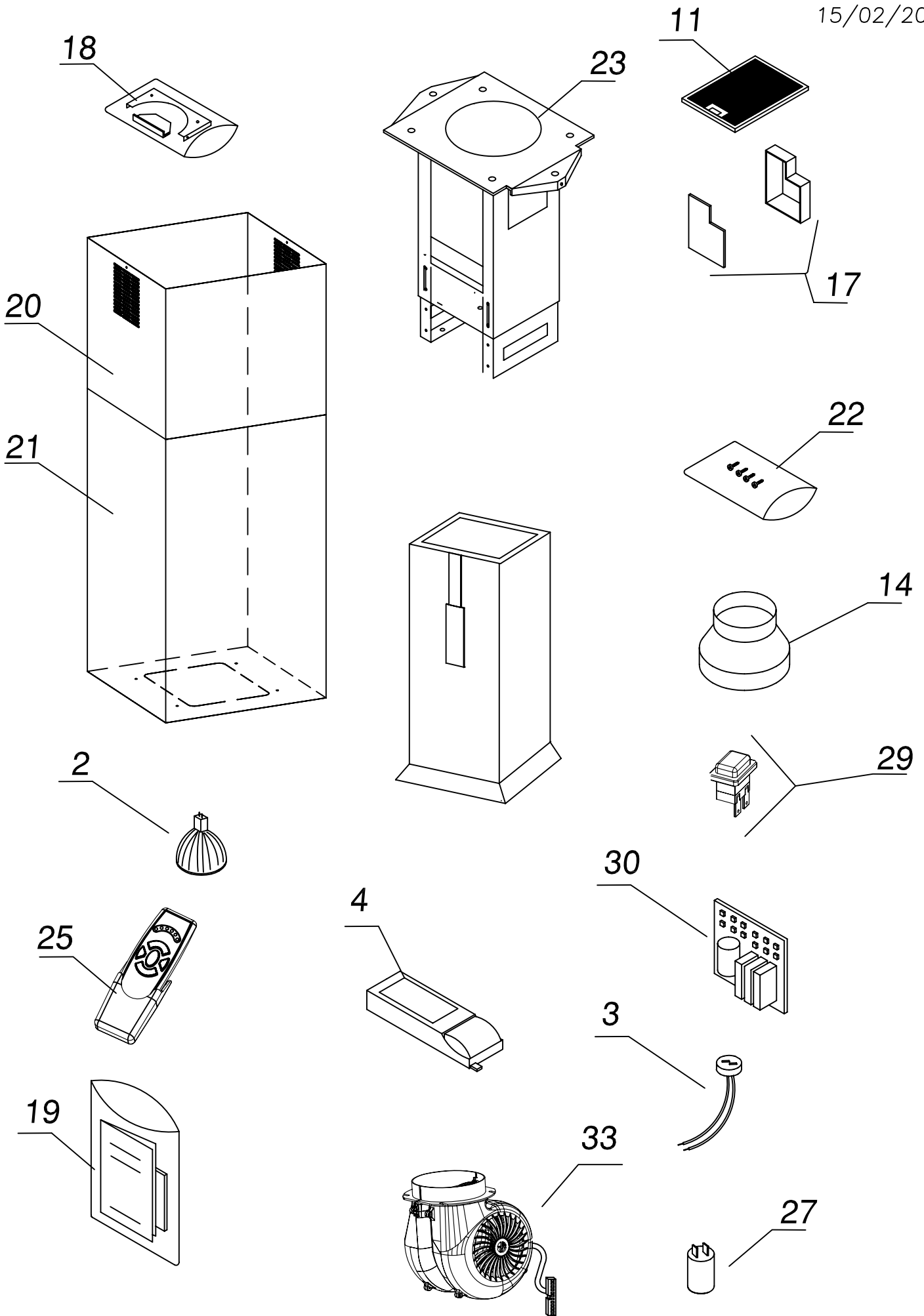


Product installation diagrams

Models:
Pi400



All hoods to be installed min. 700mm from hob, providing hob output does not exceed 11kW





PI400 - Plaza 40cm cuboid island hood

Item	Part Code	Description	Qty
2	42013199999	DICHROIC LAMP 50 W 50 D. 840718.0101	1
3	60167999999	SUPPORT FOR DICHROIC LAMPS	1
4	42030099999	TRANSFORMER 20/105 W	1
11	60080199999	GREASE FILTER 239X300	1
14	51071000399	REDUCTION FLANGE 150/125 AE	1
17	75071439999	WIRING BOX SET	1
18	77008685999	ACCESSORIES	1
19	90000104219	instruction manual	1
20	75038910005	STAINLESS STEEL UPPER	1
21	75028910115	LOWER CHIMNEY PI400SS	1
22	77008689999	ACCESSORIES BAG M404	1
23	75168196005	STRUCTURE FOR MODUL	1
25	44002000999	Remote controle	1
27	42040999999	CAPACITOR 4 MICROF.	1
29	75470199999	EMERGENCY SWITCH/START NEON	1
30	44001899999	WIRING BOARD TYPE SLT/E	1
33	75075000002	MOTOR GRUP	1



PI400

Plaza 40cm cuboid island hood

