



Instruction manual for island hood
Model: OI362



GB



The symbol on the product or on its packaging indicates that this product may not be treated as household waste. Instead it shall be handed over to the applicable collection point for the recycling of electrical and electronic equipment. By ensuring this product is disposed of correctly, you will help prevent potential negative consequences for the environment and human health, which could otherwise be caused by inappropriate waste handling of this product. For more detailed information about recycling of this product, please contact your local city office, your household waste disposal service or the shop where you purchased the product. This appliance is marked according to the European directive 2012/19/EC on waste electrical and electronic equipment (WEEE).

CONTENTS

Warnings

Uses

Installation

Working

Maintenance

WARNINGS

- * **The appliance is not intended for use by young children or infirm persons without supervision. Young children should be supervised to ensure they do not play with the appliance.**
- * **The cooking surface and the inferior part of the cooker hood must be at a minimum distance of 65 cm.**
- * **The extracted air cannot be conveyed through or into a duct used to let out fumes from appliances fed by energy other than electric power (eg centralized heating, radiators, water heaters, etc).**
- * **To evacuate the air outlet, please comply with the pertaining rules given by competent authorities.**
- * Provide the room with an adequate ventilation when a cooker hood and appliances fed by energy other than electric power (gas, oil, or coal stoves, etc.) are used simultaneously. The cooker hood, when evacuating the extracted air, could generate a negative pressure in the room which can't exceed the limit of 0.04mbar, in order to avoid the suck of exhausts deriving from the heat source. Therefore the room should be provided with air intakes to allow a constant flow of fresh air.
- * When performing the electrical connections on the appliance, please make sure that the current tap is provided with earth connection and that voltage values correspond to those indicated on the rating label placed inside the appliance itself.
- * Before carrying out any cleaning or maintenance operations, the appliance needs to be removed from the electric grid. If the appliance is not provided with a non separable flexible cable and plug, or with another device ensuring omni-polar disconnections from the grid, with an opening distance between the contacts of at least 3 mm, then such disconnecting devices must be supplied within the fixed installation.

If the fixed appliance is endowed with a supply cord and a plug, the appliance has to be put in a place where the plug can be reached easily.

*** The use of materials which can burst into flames should be avoided in close proximity of the appliance. When frying, please pay particular attention to fire risk due to oil grease. Being highly inflammable, fried oil is especially dangerous. Do not use uncovered electric grills.**

In order to avoid possible fire risk, all instructions for grease filter cleaning and for removing eventual grease deposits should be strictly followed.

USES

The appliance is already arranged both for filtering and for suction performances.

- * **In its filtering version (Fig.1), the air and fumes conveyed by the appliance are cleaned both by a grease filter and by an active charcoal filter, and put again into circulation through the side vents of the chimney. For this version an air deflector placed on the superior part of the pipe and allowing air recycling is necessary (Fig.1A).**
- * **In its vented version (Fig.2), fumes are directly conveyed outside, through an evacuation duct connected with the superior part of the wall or the ceiling. Both charcoal filter and air deflector are not necessary in this case.**

INSTALLATION

Before installing the appliance, make sure that none of the parts are damaged in any way. In case of damaged parts, contact your retailer immediately and do not proceed with installation. Read all of the following instructions with care before installing the appliance.

- Use a minimum 150mm air outlet pipe of the shortest possible length.
- Limit the number of pipe bends.
- Use a material approved by standards and regulations.
- Avoid any sudden changes in pipe section (recommended constant diameter: 150 mm or equal surface area).

Attention: at least two people are needed to perform the installation.

Before installing the appliance, in order not to damage the appliance itself, the metal grease filter should be removed. Such filter can be removed by pushing the special filter handle toward the back side of the cooker hood and turning it downwards so to unfasten it from its slot (Fig. 3 A).

Before fixing the hood, place the electric feeding properly into the ornamental pipe and place a hole for air evacuation for use in ventilation mode.

Ventilation mode

Place the upper plate (Fig.5.1) on the ceiling. Drill 4 holes, 8 mm each, just next to the slots. Insert the plastic dowels into the holes (Fig.5.1-A) and screw up the plate on the ceiling (Fig. 5.1-B). Then fasten the lower structure (Fig. 7.2) on the hood by making its holes and the metric-thread screws welded on the fan support coincide (Fig. 7.1). Insert the washers and nuts provided (Fig. 7.2-A) and screw with an appropriate tool.

Connect the drainpipe to the power unit nozzle and fix securely with a hose clamp. Insert the upper structure (Fig. 7.3) into the lowest one and adjust its height as required by matching it with the cooking top's minimum height. Tighten the two structures securely with the screws provided (Fig. 7.3-B). Insert the two extension tubes (Fig. 7.4 & Fig. 7.5) from above the two structures by making them come down to the appropriate hood seat.

Lift the hood together with the structure and the extension tubes to make the four springs (Fig. 7.6-E) hook to the slots (Fig. 7.3-C). Then tighten the two elements securely (Fig. 6.1 & Fig. 6.2) with the safety screws (Fig. 6.2-A) and connect the hood tube to the drain hole. Make the electrical connections. (For versions with display only) Lift the lower pipe until the cable strap coming out of the unit is uncovered and connect it to the display cable strap. Put down the lower pipe while paying attention it is being properly introduced into the hood. Lift the upper tube (Fig. 7.5) up to the ceiling and insert the two self-tapping screws (Fig. 7.5-D).

Recirculation mode

Place the upper plate (Fig.5.1) on the ceiling. Drill 4 holes, 8 mm each, just next to the slots. Insert the plastic dowels into the holes (Fig.5.1-A). Fix the baffle (Fig. 5.2) to the upper bracket (Fig.5.3) with the four self tapping screws provided (Fig. 5.3 A). Screw up the plate together with the baffle (Fig.5.1 B). Then fasten the lower structure (Fig. 7.2) on the hood by making its holes and the metric thread screws welded on the fan support coincide (Fig. 7.1). Insert the washers and nuts provided (Fig. 7.2-A) and screw with an appropriate tool. Connect the drainpipe to the power unit nozzle and fix securely with a hose clamp. Insert the upper structure (Fig. 7.3) into the lowest one and adjust its height as required by matching it with the cooking top's minimum height. Tighten the two structures securely with the screws provided (Fig. 7.3-B). Insert the two extension tubes (Fig. 7.4 & Fig. 7.5) from above the two structures by making them come down to the appropriate hood seat. Lift the hood together with the structure and the extension tubes to make the four springs (Fig. 7.6-E) hook to the slots (Fig. 7.3-C). Then tighten the two elements securely (Fig. 6.1 & Fig. 6.2) with the safety screws (Fig. 6.2-A) and connect the hood tube to the baffle's lower hole.

Make the electrical connections. (For versions with display only) Lift the lower pipe until the cable strap coming out of the unit is uncovered and connect it to the display cable strap. Put down the lower pipe while paying attention it is being properly introduced into the hood. Lift the upper tube (Fig. 7.5) up to the ceiling and insert the two self-tapping screws (Fig. 7.5-D).

Warning!

Before connecting the ducting pipe to the motor, make sure the stop valve, which is on the air outlet of the motor, can swing.

RC001

RADIO CONTROL

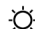
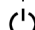


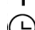
Radio control used for the remote operation of Caple island hoods:

TECHNICAL DATA

- Alkaline battery powered : 12 V mod. 23 A
- Operating frequency : 433.92 Mhz
- Combinations : 32.768
- Max. consumption : 25 mA
- Operating temperature : -20 + +55 °C
- Dimensions : 120 x 45 x 15 mm.

OPERATING DESCRIPTION

The transmitter is equipped with 5 buttons for cooker hood management, as specified below:

-  : Light ON/OFF command.
-  : Motor ON (speed level 1) / OFF command.
-  : Reduce speed.
-  : Increase speed.
-  : 10-minute timer.

INITIAL OPERATING CONDITION

The manufacturer supplies the radio control unit ready to be used with codes preset in the Factory.



OPERATION MODE

Standard configuration:

Standard configuration requires all "cooker hoods radio control system" to be provided with the same transmission code. In the event two cooker hoods radio control system are installed in the same room or nearby, each system may affect the operation of the another. Therefore, the code of one radio control system must be changed.

Generating a new transmission code:

The radio control system is provided with preset codes. Should new codes be required, proceed as follows: Press simultaneously buttons:



for two seconds. When Leds light on, press buttons:




(within 5 seconds). Leds flashing 3 times indicate the procedure is completed.

WARNING! This operation deletes permanently the preset codes.

Learning the new transmission code:

Once the transmission code is changed in the radio control unit, the electronic central unit of the cooker hood must be made to set the new code in the following way:

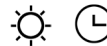
Press the main power-off button of the hood and then restore power to the electronic control unit. Within the next 15 seconds, press the Light Button  to synchronise the central unit with the code.

Reset of the Factory configuration:

To restore the Factory configuration, follow the procedure described below: press simultaneously buttons



for 2 seconds. When Leds light on, press buttons



(within 5 seconds). Leds flashing 6 times indicate the procedure is completed.

WARNING! This operation deletes permanently the preset codes.

Emergency button:

In the event that the radio control does not work, use the emergency button to switch the appliance off. After any necessary repairs have been performed, reset the emergency button.

WARNING

The battery should be replaced every year to guarantee the optimal range of the transmitter.

To replace the exhausted battery, take the plastic lid off, remove the battery and replace it with a new one, observing the correct battery polarities. Used batteries should be discarded in special collection bins.

The below product:

RC001 Radio Control



complies with the specifications set out in the R&TTE Directive 99/5/EC.

WARNING

Any adjustments or modifications which have not been expressly approved by the holder of the legal conformity certificate may invalidate the user's rights relating to the operation of the device.

TIMING

As a result of the new EU65 “Energy label” and EU66 “ Ecodesign” regulations issued by the European Commission, which came into force as from January 1st, 2015 , our products have been adapted to comply with these new requirements. All of the models complying with the energy label requirements, are equipped with new electronics including a timer device for speed controls, when the air capacity exceeds 650m³/h. Internal motor models, with maximum air capacity higher than 650m³/h, are equipped with a timer device that automatically switches the speed from 4th to 3rd speed, after 5 minutes operation.

External motor models are equipped with remote motors that , as for internal motor versions, include a timer device that switches down the speed when it exceeds 650 m³/h. (See External Motors Instructions). Remote motors, whose air capacity exceeds 650m³/h at both 4th and 3rd speed, will have the following by default timer control functions: The speed is automatically switched from 4th to 2nd speed, after 6 minutes operation.

If the appliance is working at 3rd speed, it is automatically switched to 2nd speed, after 7 minutes operation. Operation speeds can also be changed during operation.

The energy consumption of the appliance in standby mode is lower than 0.5W.

MAINTENANCE

*** An accurate maintenance guarantees good functioning and long lasting performance.**

*** Particular care is due to the grease filter panel. It can be removed by pushing its special handle toward the back-side of the cooker hood and turning the filter downwards so to unfasten it from its slot (Fig.3A). This can be cleaned by hand with warm soapy water, or cleaned in the dishwasher. To insert the filter just perform the opposite operation.**

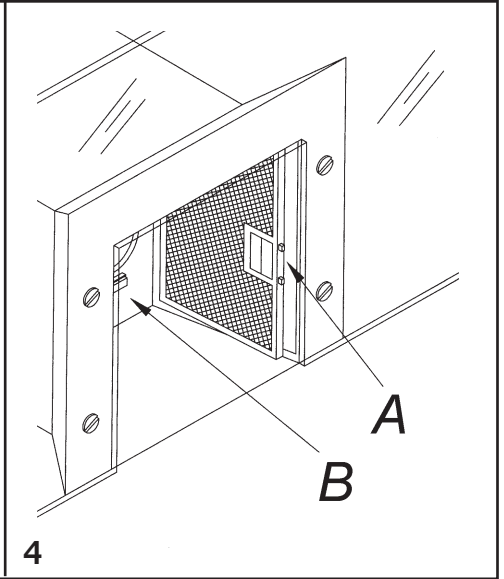
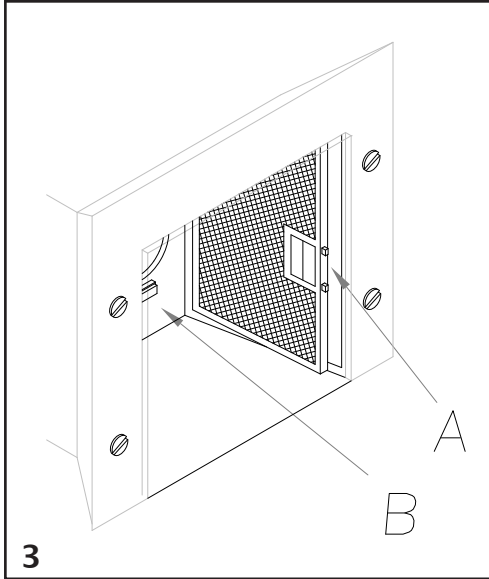
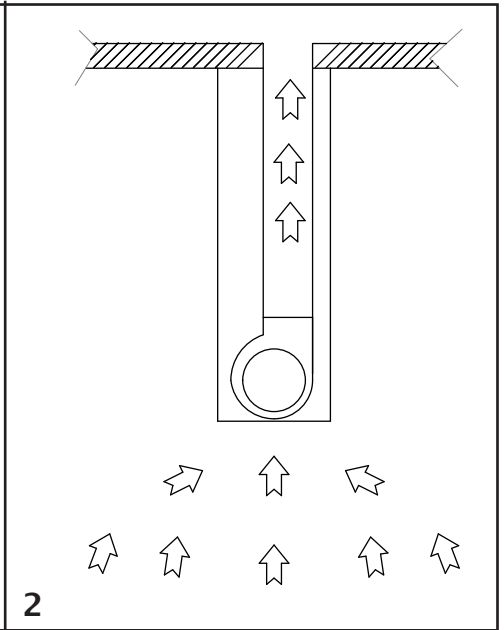
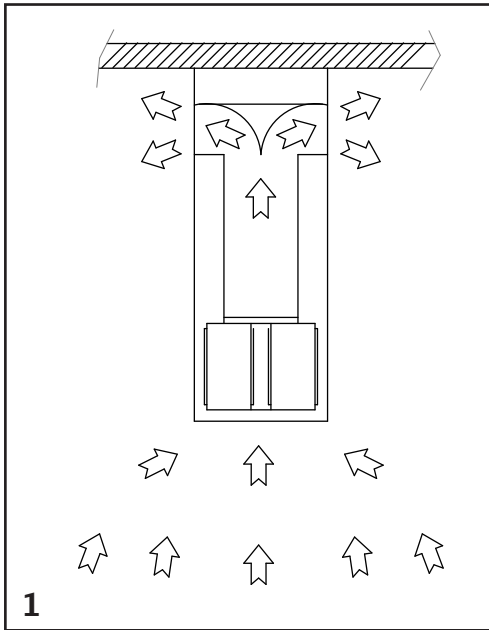
*** In the case the appliance is used in recirculation mode, the active charcoal filter (Fig.8Z) needs to be periodically replaced. The charcoal filter can be removed by removing the grease filter first (Fig.3A), and by pulling its special plastic tongue until it is unfastened from its slot. Re insert the charcoal filter by operating in the opposite way. The charcoal filter (CAP38CF) should be replaced after every 6 months. However this can depend on its use. Replacement filters can be purchased via our Caple website www.caple.co.uk**

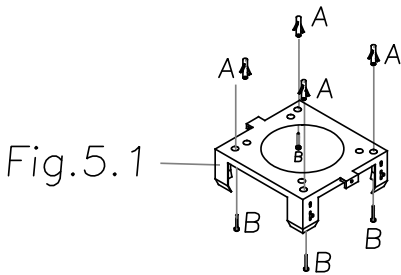
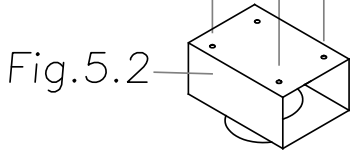
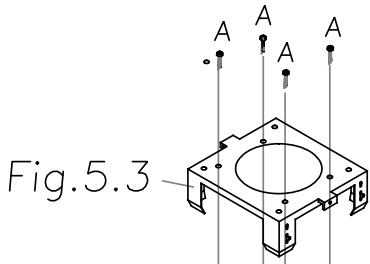
*** To clean the appliance itself tepid water and neutral detergent are recommended, while abrasive products should be avoided. For steel appliances specialized detergents are recommended (please follow the instructions indicated on the product itself to obtain the desired results).**

*** Before replacing the lamps, disconnect the appliance from the electric mains. Remove the grease filter and the carbon filter, if it is inserted. Once the burnt out bulb is localized, turn it anticlockwise and replace it with a bulb of the same type.**

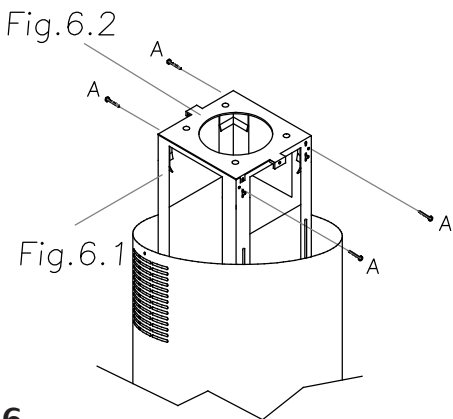
To replace and remove the led lamp, (Fig.9) remove the lamp by inserting a screwdriver or another sharp tool between the lamp and its chrome support. replace with a lamp of the same kind.

*** If the supply cord is damaged, it must be replaced by the manufacturer or its service agent or a similarly qualified person in order to avoid a hazard.**

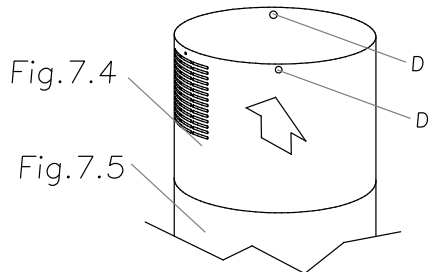
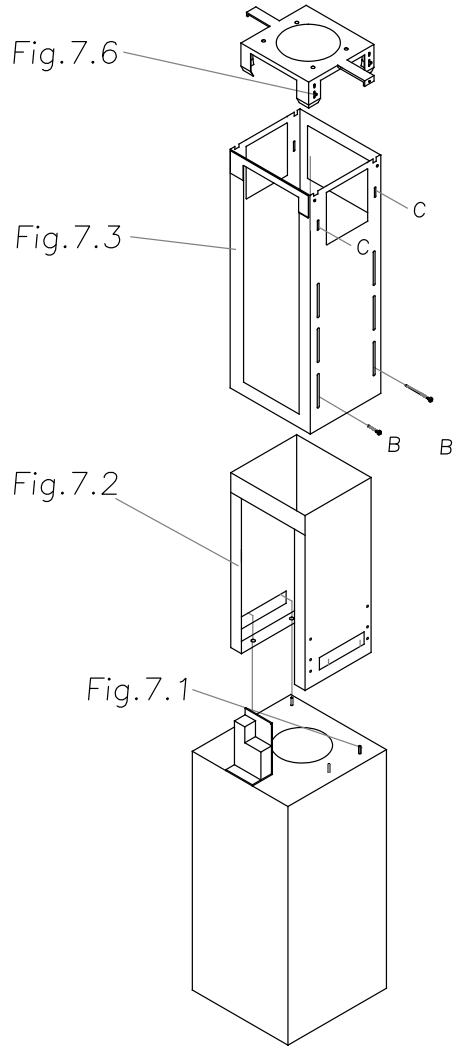




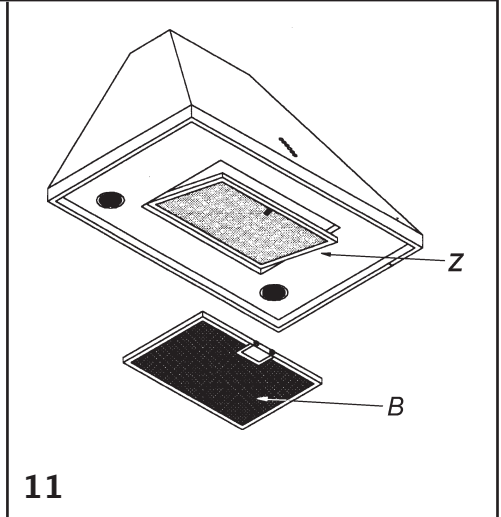
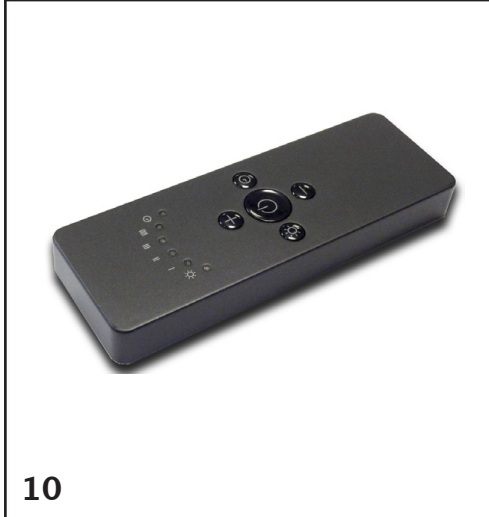
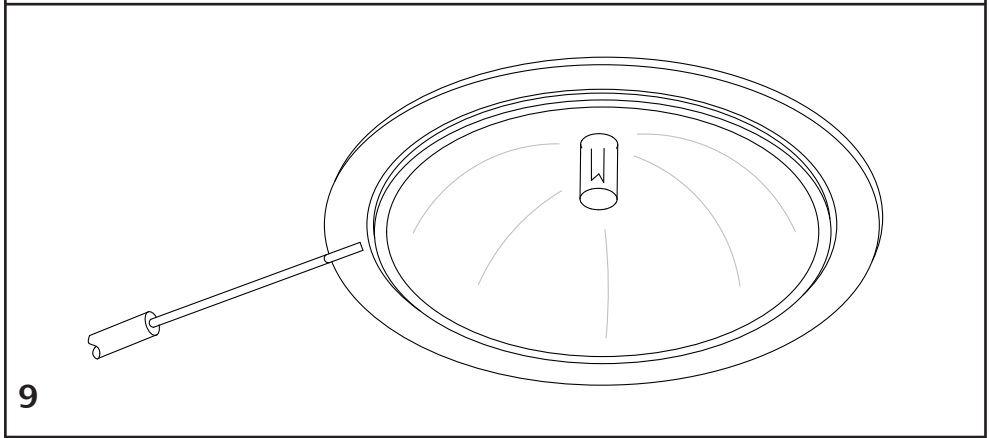
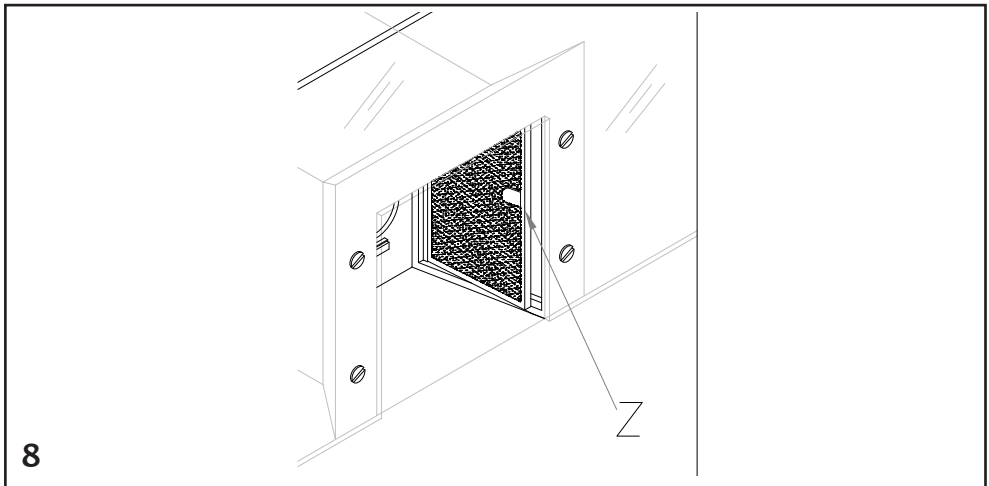
5



6



7



Serial number

Caple
Fourth Way
Avonmouth
Bristol
BS11 8DW

www.caple.co.uk
T - 0117 938 7420

90004220401- 08/16