



CR750SL

Caple CeramicaEllias 70cm Island Hood Silver

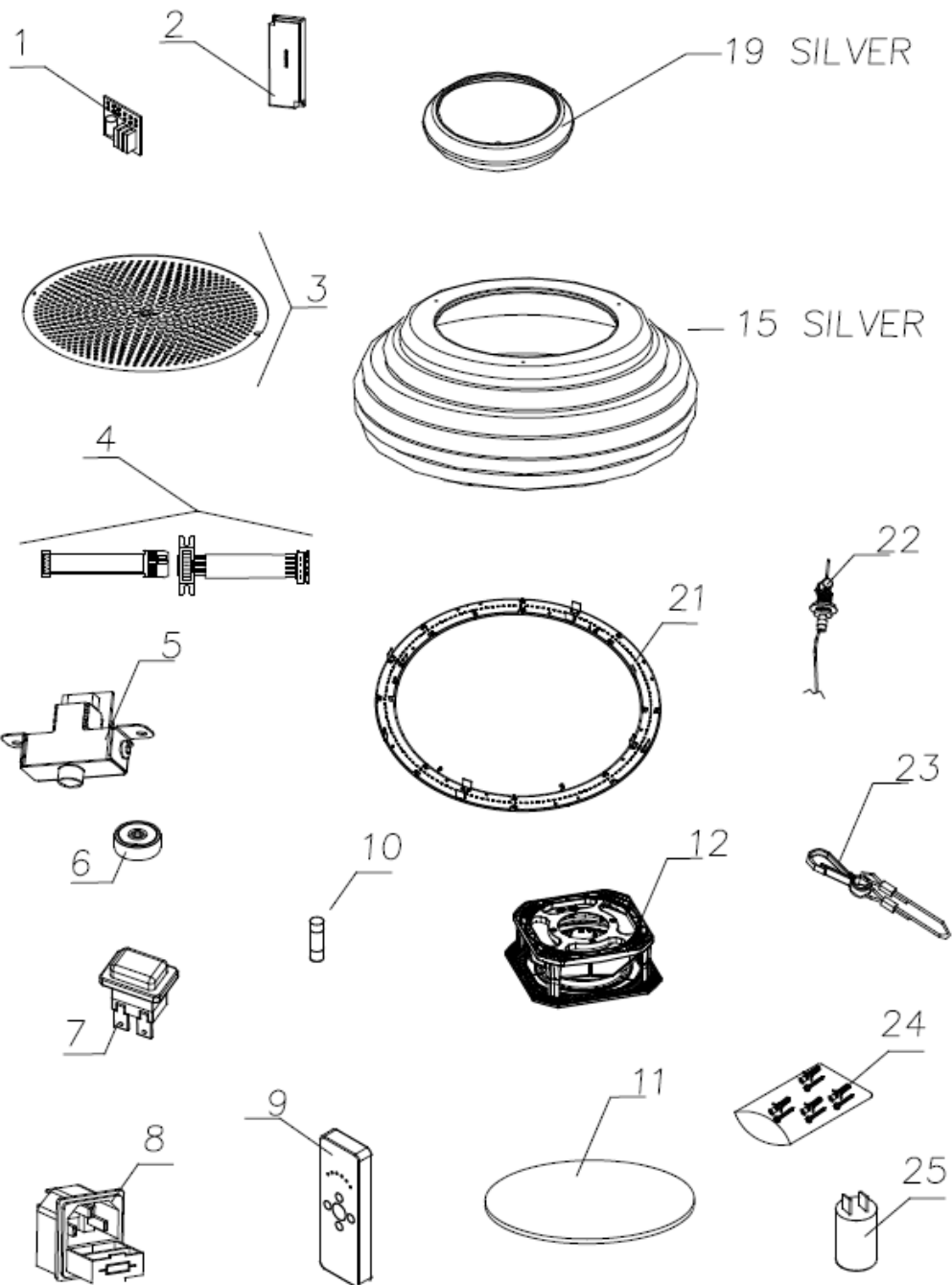


Technical Manual



CR750SL

Caple Ceramica Ellias 70cm Island Hood Silver





CR750SL

Caple Ceramica Ellias 70cm Island Hood Silver

| Position | Part Number | Description | Quantity |
|----------|-------------|-----------------------------|----------|
| 1 | 75070180181 | MAIN PRINT | 1 |
| 2 | 75007026320 | TRANSFORMER DC 12V | 1 |
| 3 | 75007026037 | GREASE FILTER | 1 |
| 4 | 75007026537 | FLAT SPEED INDICATOR | 1 |
| 5 | 75007026962 | SPEED INDICATOR | 1 |
| 6 | 75007026155 | MAGNET 15X5 | 1 |
| 7 | 75470199999 | EMERGENCY SWITCH/START NEON | 1 |
| 8 | 75007026063 | CONNECTOR | 1 |
| 9 | 75007026001 | BLACK REMOTE CONTROL | 1 |
| 10 | 75007026520 | FUSE 5X20 2A | 1 |
| 11 | 75007026038 | CARBON FILTER | 1 |
| 12 | 75007026123 | MOTOR | 1 |
| 15 | 75007027022 | SILVER CERAMIC | 1 |
| 19 | 75007026942 | CEILING CERAMIC SILVER | 1 |
| 21 | 75007026540 | LED CIRCLE | 1 |
| 22 | 75007026044 | STEEL SUPPORT CABL | 1 |
| 23 | 75007026107 | SECURITY SNAP-HOOK | 1 |
| 24 | 75007026100 | ACCESSORIES | 1 |
| 25 | 75007026042 | CAPACITOR 3,15 MICROF | 1 |