



ceramica & ceramica Ellias
island extractors
instruction manual

CR700 / CR700SL / CR700WH
CR750CO / CR750SL / CR750WH



Contact Caple on 0117 938 7420 or for spare parts www.caple.co.uk





CONTENTS

WARNINGS	3
ENVIRONMENTAL PROTECTION	6
INSTALLATION	7
REMOTE CONTROL	12
OPERATION	12
TIMING	15
MAINTENANCE	16

Please keep this instruction manual for future reference





WARNINGS

- The cooking surface and the inferior part of the cooker hood must be at a minimum distance of 65 cm.
- The appliance is not intended for use by young children or infirm persons without supervision. Young children should be supervised to ensure they do not play with the appliance.
- The cooker hood, when evacuating the extracted air, could generate negative pressure in the room, which can't exceed the limit of 0.04 mbar, in order to avoid the suck of exhausts deriving from the heat-source. Therefore the room should be provided with air-intakes to allow a constant flow of fresh air.
- When performing the electrical connections on the appliance, please make sure that the current tap is provided with earth connection and that voltage values correspond to those indicated on the rating label placed inside the appliance itself.
- Please disconnect the appliance from power mains, before carrying out any cleaning or maintenance operation. If the appliance is not equipped with a nonseparable flexible cable and plug, or with another device ensuring omnipolar disconnection from the mains, with an opening distance between the contacts of at least 3 mm, then such disconnecting devices must be provided in the fixed installation.

Please keep this instruction manual for future reference





- If the appliance is equipped with a power cord and a plug, it shall be placed in such a way that the plug can be reached easily.
- The use of materials which can burst into flames should be avoided in close proximity of the appliance. When frying, please pay particular attention to fire risk due to oil and grease. Being highly inflammable, fried oil is especially dangerous. Do not use uncovered electric grills. In order to avoid possible fire risk, all instructions for grease-filter cleaning and for removing eventual grease deposits should be strictly followed.
- Two persons are needed for the installation of this product.
- This appliance complies with all relevant local and national safety requirements. Inappropriate use can, however, lead to personal injury and damage to property.
- The cooker hood is not intended for outdoor use.
- It must only be used as a domestic appliance to extract vapours and remove odours from cooking. Any other usage is not supported by the manufacturer and could be dangerous.
- Where a recirculation cooker hood is fitted above a gas hob, please ensure that there is an adequate supply of fresh air into the room in which it is installed. Please seek the advice of a qualified gas fitter (e.g. GasSafe in the UK) if necessary.

Please keep this instruction manual for future reference





- Children under 8 years of age must be kept away from the cooker hood unless they are constantly supervised.
- Children 8 years and older may only use the cooker hood
- unsupervised if they have been shown how to use it safely and recognise and understand the consequences of incorrect operation.
- The electrical safety of this appliance can only be guaranteed when correctly earthed. It is essential that this standard safety requirement is met. If in any doubt please have the electrical installation tested by a qualified electrician.
- Do not connect the appliance to the mains electricity supply by a multi-socket unit or an extension lead. These are a fire hazard and do not guarantee the required safety of the appliance.
- The cooker hood can get very hot during cooking due to heat rising from the hob.
- Do not touch the housing or the grease filters until the cooker hood has cooled down.

Please keep this instruction manual for future reference





ENVIRONMENTAL PROTECTION

Waste electrical products should not be disposed of with household waste. Please recycle where facilities exist. Check with your Local Authority or retailer for recycling advice. This appliance is marked according to the European directive 2012/19/EU on Waste Electrical and Electronic Equipment (WEEE).

By ensuring this product is disposed of correctly, you will help prevent potential negative consequences for the environment and human health, which could otherwise be caused by inappropriate waste handling of this product. The symbol on the product indicates that this product may not be treated as household waste. Instead it shall be handed over to the applicable collection point for the recycling of electrical and electronic equipment. Disposal must be carried out in accordance with local environmental regulations for waste disposal.

For more detailed information about treatment, recovery and recycling of this product, please contact your local council, your household waste disposal service or the retailer where you purchased the product

CE DECLARATIONS OF CONFORMITY

Radio Equipment Directive (RED) 2014/53/EU

This Declaration is issued under the sole responsibility of the manufacturer.

Hereby, Caple declares that the radio equipment included in the product is in compliance with the RED directive 2014/53/EU.

The full text of the EU Declaration of Conformity is available on our website www.caple.co.uk.

Please keep this instruction manual for future reference





INSTALLATION

The appliance can only be used in recirculation mode only. In recirculation mode the air and fumes conveyed by the appliance are cleaned by both a grease filter and an active charcoal filter, and then re put into the air circulation.

At the beginning make sure that the package is intact and all the parts are unbroken, otherwise stop the installation and contact the retailer. The manufacturer is not responsible for damages caused by material handling or product installation.

Before installing the appliance read all these instructions carefully.

WARNING: This product is made of ceramic, for that reason it requires an appropriate and accurate handling, as well as a professional and accurate installation.

Remove the product from the packaging and lay it on a suitable place, a soft material such as sponge or fabric should be used to place the product on it.

By using the supplied drilling jig, perforate the wall according to the four pattern indicated by the jig itself. The center of the drilling jig should correspond to the center of the hob. Insert the supplied dowel into the holes made, tighten them, but do not tighten until they are flush; the three screws into the dowels corresponding to the holes with discharge head (Fig.8 A) leaving the hole for the locking screw empty (Fig. 9 B) because it will be added later.

Place the ceramic cover over the suctioning element and insert the steel cables into the three holes of the ceramic, as shown in the figure (Fig. 1). Put the power cable through the air outlet grill, see Figure 2 The ceramic part must perfectly cover the metal part named "D" in the exploded view.

Remove from the packaging the ceramic cover for the ceiling plate (see the detail B on the exploded view), place the cover over the hood and put the steel cables through the three holes in the ceramic body, the power cable should be put through the central hole of the ceramic, see Fig.3. Extract the metal plate from the packaging and then put the steel cables through the appropriate supports, as shown in figure 4.

Adjust the height of the product scrolling the steel cables up and down inside the support, it is necessary to unscrew and push the support in order to allow the scrolling of the cable, see fig. 5.

Please keep this instruction manual for future reference



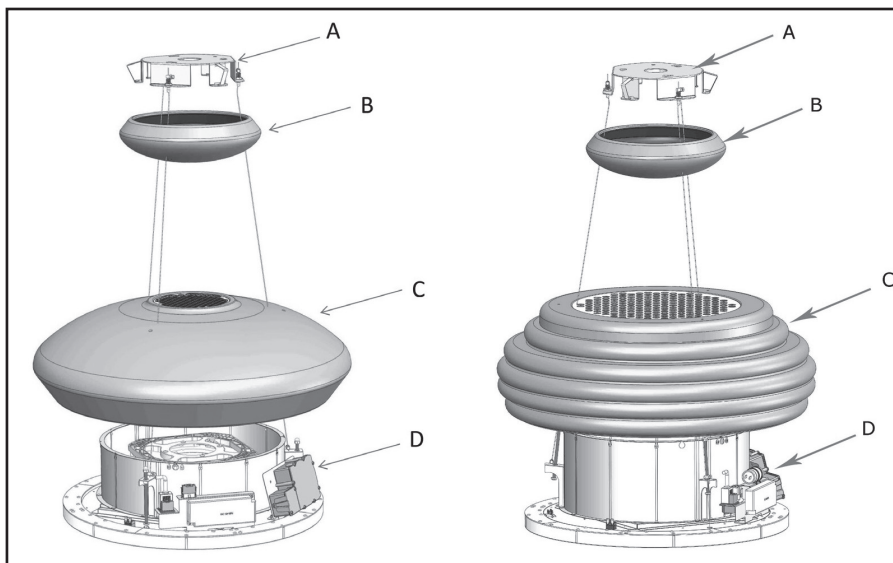


Check that the remaining length of steel cables from the supports indicated in fig. 6 is the same, in order to ensure that it will be installed perfectly parallel to the ceiling. Tightening the appropriate support by screwing it as shown in fig.6, block the steel cables. Add the clips as a further safety precaution for cable blocking fig. 7. Put the hood near the ceiling and hook the plate to the screws previously installed (fig.8 A) Tighten the three screws fixing the plate to the ceiling, then block the hood definitively adding the security screw , see fig.9 B. Connect the appliance to the electric grid.

Lift up the ceramic cover until reaching the ceiling (fig.10), make sure that the springs have hooked the ceramic cover. Install the grease filter making sure to hook first the security steel cable, as shown in fig. 16.

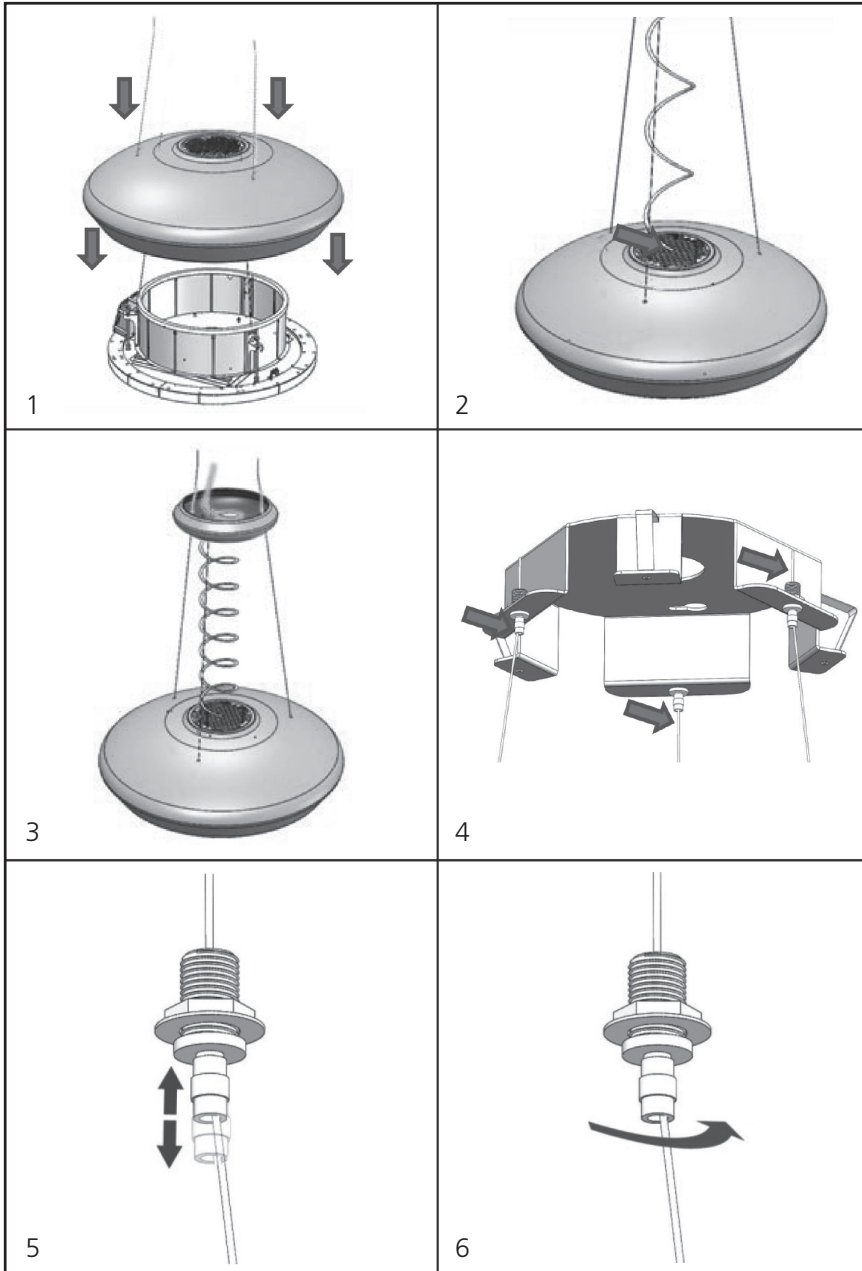
The grease filter must be positioned by orienting the dedicated opening, near the speed indicator (fig. 17). In case the ceramic cover of the body, is not perfectly flat or parallel to the body, it is possible to make an adjustment after installation.

Remove the grease filter as described in Maintenance Section. Using a Phillips screw head screwdriver, (fig. 13A) tighten or loosen the three screws in order to raise or lower the ceramic body on a specific side (fig. 14). After the adjustment insert the rubber tips and the grease filter again.



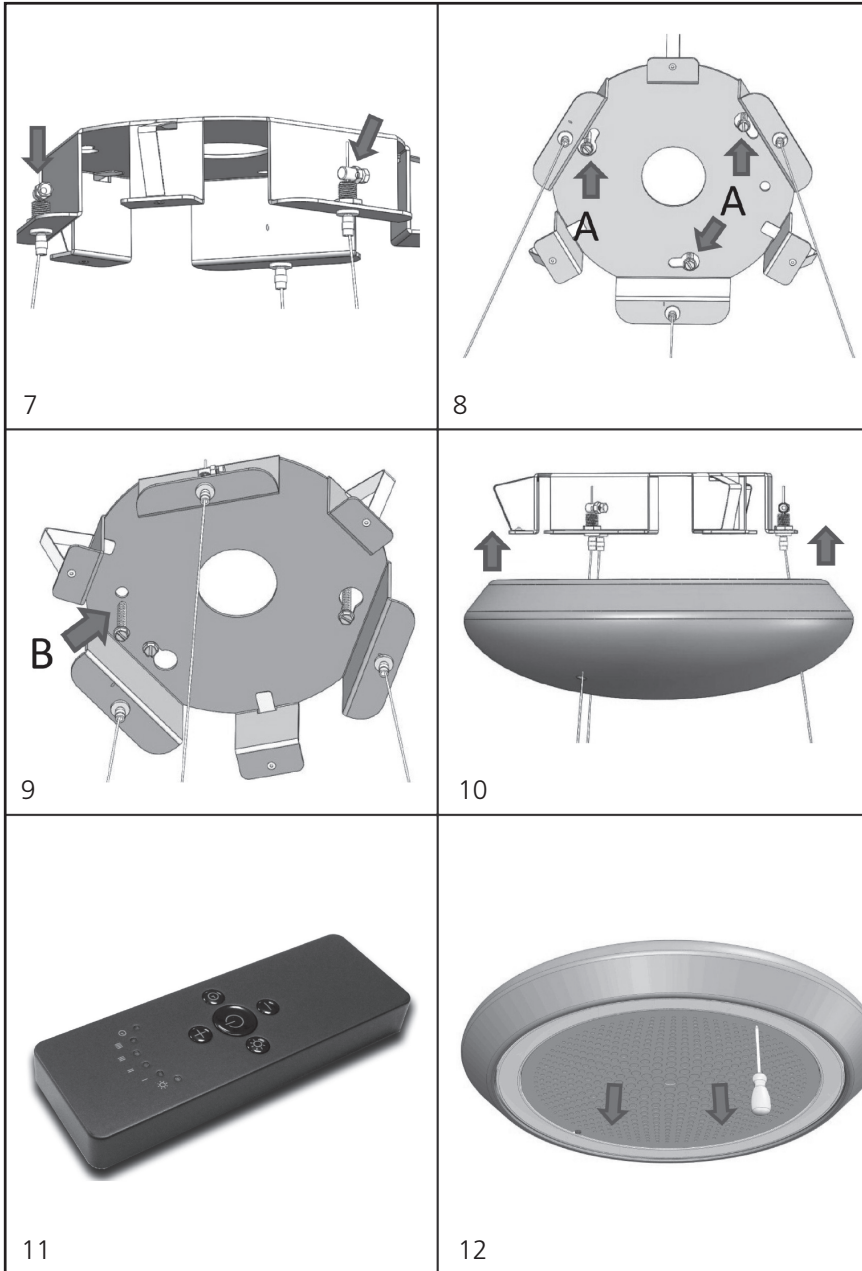
Please keep this instruction manual for future reference





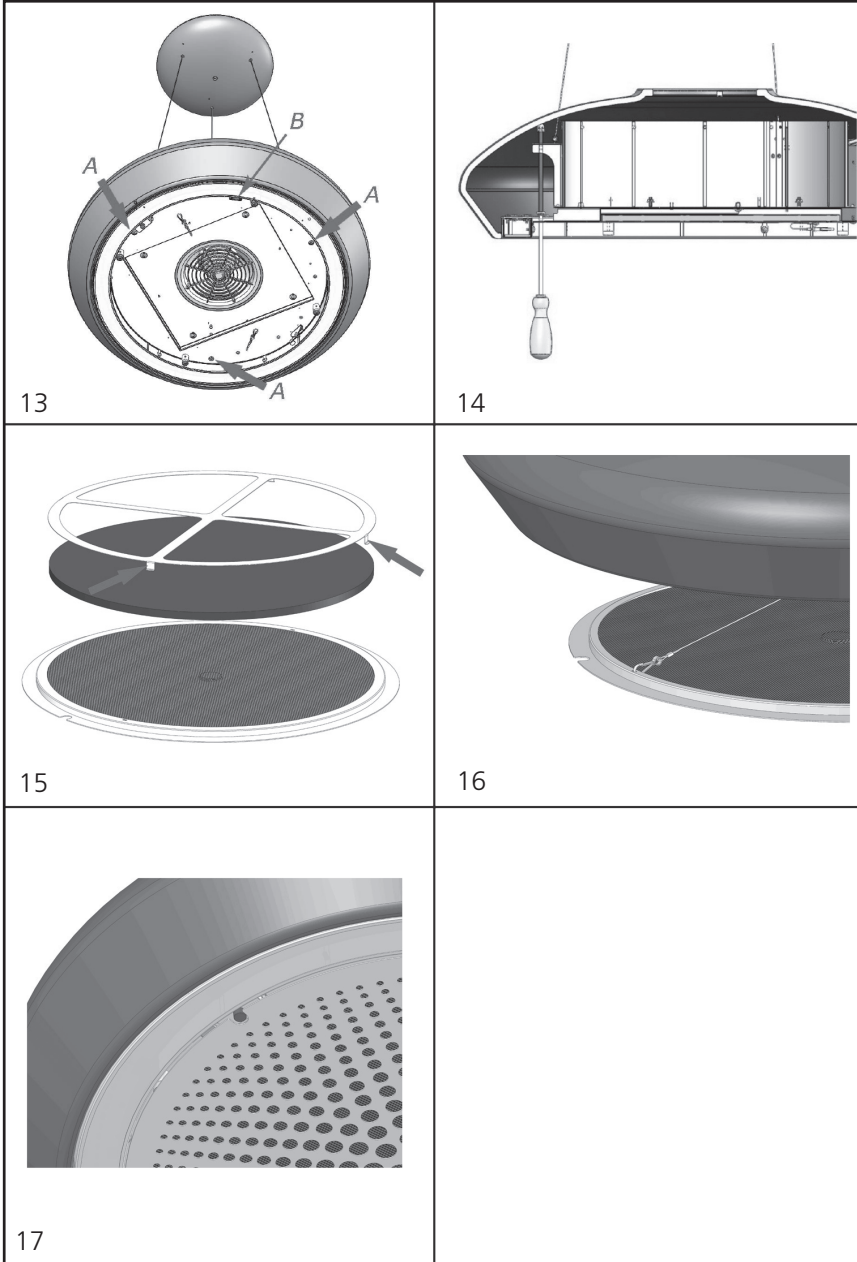
Please keep this instruction manual for future reference





Please keep this instruction manual for future reference





Please keep this instruction manual for future reference





REMOTE CONTROL

At first ignition, keep pressed the lighting button for 5 seconds.

Remote control used for the operation of island extractors:

Technical Data

Alkaline battery powered :	12 V mod. 23 A
Operating frequency :	433.92 Mhz
Combinations :	32.768
Max. consumption :	25 mA
Operating temperature:	-20 ÷ + 55 °C
Dimensions :	120 x 45 x 15 mm

OPERATION

The transmitter is equipped with 5 buttons for cooker hood management, as specified below:



Light ON/OFF command.



Motor ON (speed level 1) / OFF command.



Reduce speed.



Increase speed.



10-minute timer.

The set extraction speed is indicated by the LED in the extraction perimeter channel. To each color generated by the LED, it corresponds a specific speed, as shown below:

First speed WHITE

Second speed BLUE

Third speed DARK BLUE

Fourth speed RED

Please keep this instruction manual for future reference



Initial Operating Condition

The manufacturer supplies the radio control unit ready to be used with codes preset in the Factory



OPERATION MODE

Standard configuration:

Standard configuration requires all “cooker hoods radio control system” to be provided with the same transmission code. In the event two cooker hoods radio control system are installed in the same room or nearby, each system may affect the operation of the another. Therefore, the code of one radio control system must be changed.

Generating a new transmission code:

The radio control system is provided with preset codes. Should new codes be required, proceed as follows: Press simultaneously buttons:



for two seconds. When Leds light on, press buttons:




(within 5 seconds). Leds flashing 3 times indicate the procedure is completed.

WARNING:

This operation deletes permanently the preset codes.on the air outlet of the motor, can swing.

Learning the new transmission code:

Once the transmission code is changed in the radio control unit, the electronic central unit of the cooker hood must be made to set the new code in the following way:

Press the main power-off button of the hood and then restore power to the electronic control unit. Within the next 15 seconds, press the Light Button  to synchronise the central unit with the code.

Please keep this instruction manual for future reference



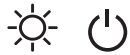


Reset of the Factory configuration:

To restore the Factory configuration, follow the procedure described below: press simultaneously buttons



for 2 seconds. When Leds light on, press buttons



(within 5 seconds). Leds flashing 6 times indicate the procedure is completed.

WARNING:

This operation deletes permanently the preset codes.

Emergency button:

In the event that the radio control does not work, use the emergency button to switch the appliance off.

After any necessary repairs have been performed, reset the emergency button.

WARNING:

The battery should be replaced every year to guarantee the optimal range of the transmitter. To replace the exhausted battery, take the plastic lid off, remove the battery and replace it with a new one, observing the correct battery polarities. Used batteries should be discarded in special collection bins.

WARNING:

Any adjustments or modifications which have not been expressly approved by the holder of the legal conformity certificate may invalidate the user's rights relating to the operation of the device.

The products are endowed with an electronic device which allows the automatic switching off after 4 hours working from the last operation.

Please keep this instruction manual for future reference



TIMING

- As a result of the new EU65 “Energy label” and EU66 “ Ecodesign” regulations issued by the European Commission, which came into force as from January 1st, 2015 , our products have been adapted to comply with these new requirements. All of the models complying with the energy label requirements, are equipped with new electronics including a timer device for extraction speeds control, when the air capacity exceeds 650m³/h. Internal motor models, with maximum air capacity higher than 650m³/h, are equipped with a timer device that automatically switches the extraction speed from 4th to 3rd speed, after 5 minutes operation
- External motor models are equipped with remote motors that , as for internal motor versions, include a timer device that switches down the extraction speed when it exceeds 650 m³/h. (See External Motors Instructions). Remote motors, whose air capacity exceeds 650m³/h at both 4th and 3rd speed, will have the following by default timer control functions:
- The extraction speed is automatically switched from 4th to 2nd speed, after 6 minutes operation. If the appliance is working at 3rd speed, it is automatically switched to 2nd speed, after 7 minutes operation. Operation speeds can also be changed during operation. The energy consumption of the appliance in standby mode is lower than 0.5W.

Please keep this instruction manual for future reference



MAINTENANCE

- An accurate maintenance guarantees good functioning and long lasting performance. Particular care is due to the grease filter. The grease filter is fixed through magnets, therefore it is sufficient to insert a hand tool or the tip of a knife in the dedicated opening and push upwards in order to pull the filter out of its place. See Fig. 12. In order to remove the filter from the hood, unhook the two security cables opening their snap-hooks, The active charcoal filter has to be removed after the extraction of the grease filter by pushing the specific handle (fig.15).
- The active charcoal filter used in these hoods can be washed and re-used for up to a maximum 3 years. We recommend that these are replaced during this period. To purchase replacement charcoal filters please visit www.caple.co.uk or call 0117 938 1900.

To wash the charcoal filters, wash by hand with warm water or in the dishwasher, and then bake in the oven at 90 degrees for 1 hour.

- To clean the appliance itself tepid water and neutral detergent are recommended, while abrasive products should be avoided. The power cord must be replaced only by a qualified person. The LED lamps must be replaced only by qualified person.

Please keep this instruction manual for future reference



Notes:

Please keep this instruction manual for future reference





Notes:

Please keep this instruction manual for future reference





Notes:

Please keep this instruction manual for future reference





Caple Service
Fourth Way
Avonmouth
Bristol
BS11 8DW

t: 0117 938 7420
e: service@caple.co.uk
www.caple.co.uk

Contact Caple on 0117 938 7420 or for spare parts www.caple.co.uk

