



CR700WH

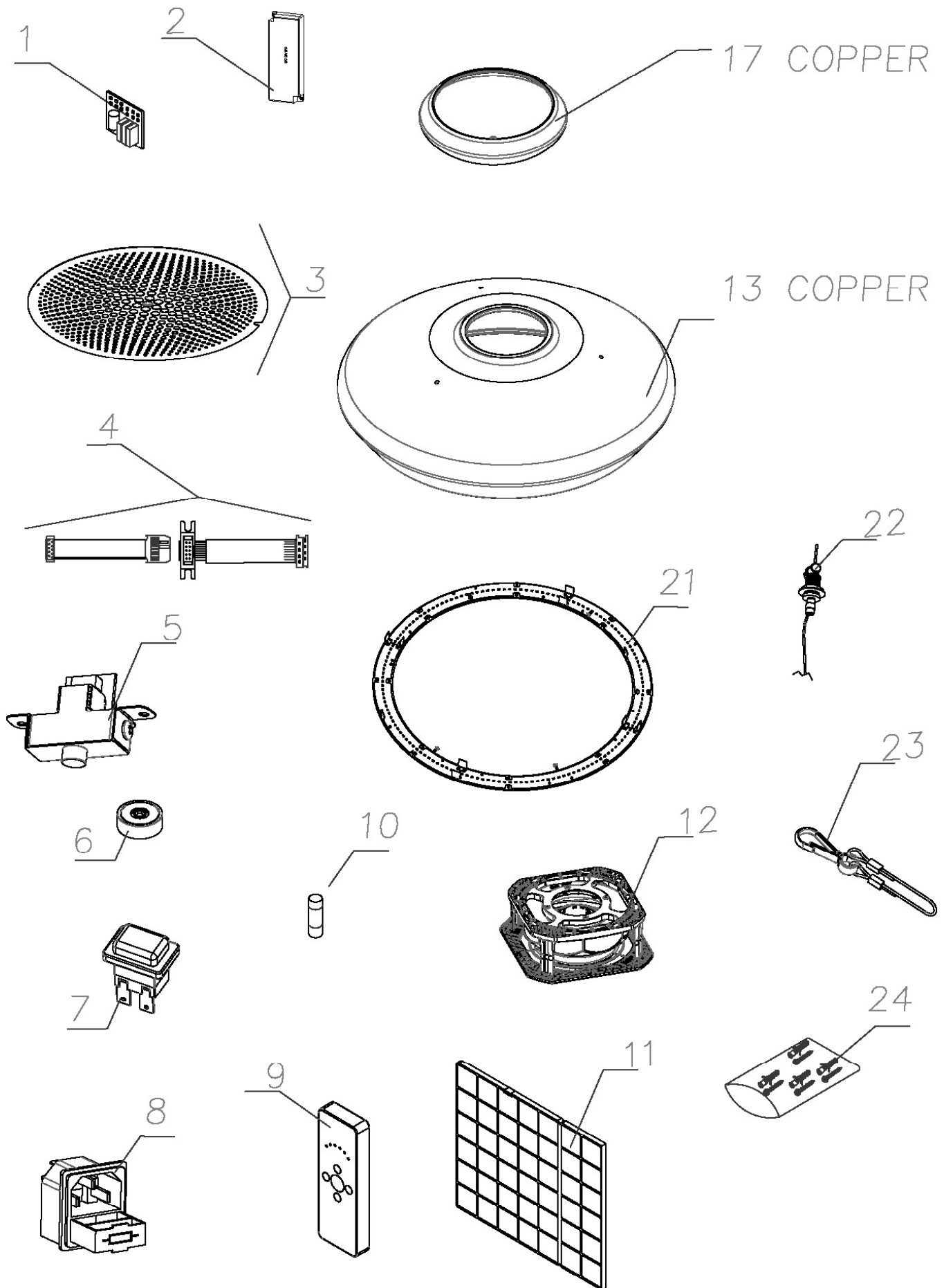
Caple Ceramica 690mm Island



Technical information

CR700

Caple Ceramica 690mm Island





CR700WH - Caple Ceramica 690mm Island

Item	Part Number	Description	Quantity
1	75070180181	MAIN PRINT SLT/E EL SINGLE-SPEED	1
2	75007026320	TRANSFORMER	1
3	75007026025	GREASE FILTER	1
4	75007026537	FLAT SPEED INDICATOR	1
5	75007026962	SPEED INDICATOR	1
6	75007026155	MAGNET 15X5	1
7	75470199999	EMERGENCY SWITCH/START NEON	1
8	75007026063	CONNECTOR	1
9	75470140400	REMOTE CONTROL	1
10	75007026520	FUSE 5X20 2 AMPERE	1
11	75007026038	CARBON FILTER	1
12	75007026123	MOTOR	1
13	75007026923	CERAMIC	1
17	75007026943	CEILING CERAMIC	1
21	75007026540	LED CIRCLE	1
22	75007026044	STEEL SUPPORT CABLE	1
23	75007026107	SECURITY SNAP-HOOK	1
24	75007026100	ACCESSORIES	1
25	75007026042	CAPACITOR	1