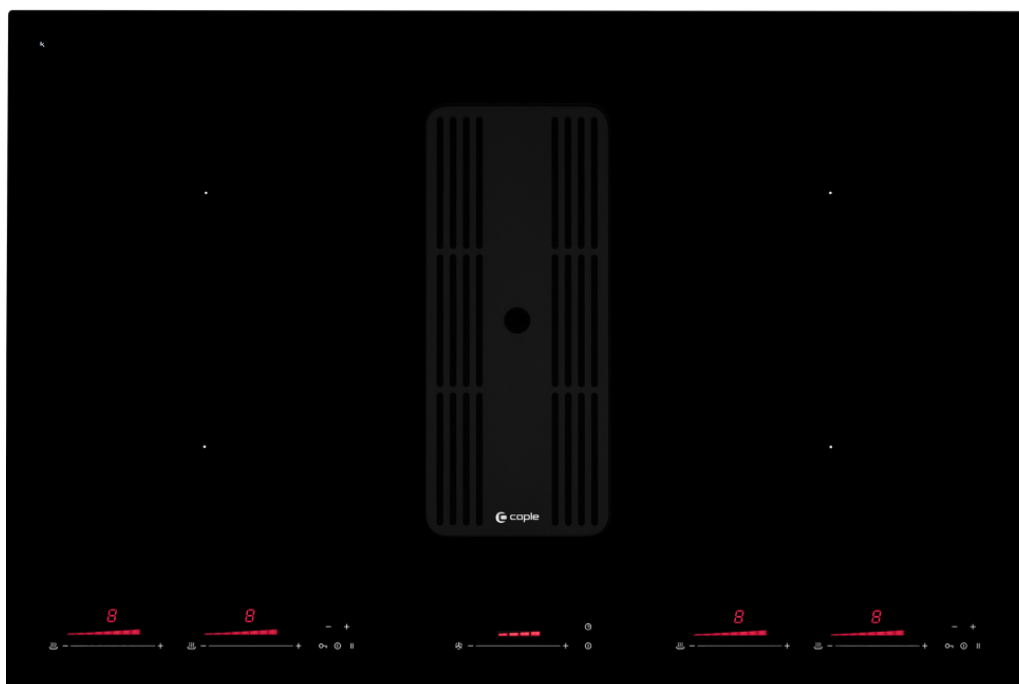




DD935BK

Caple Downdraft Induction Hob

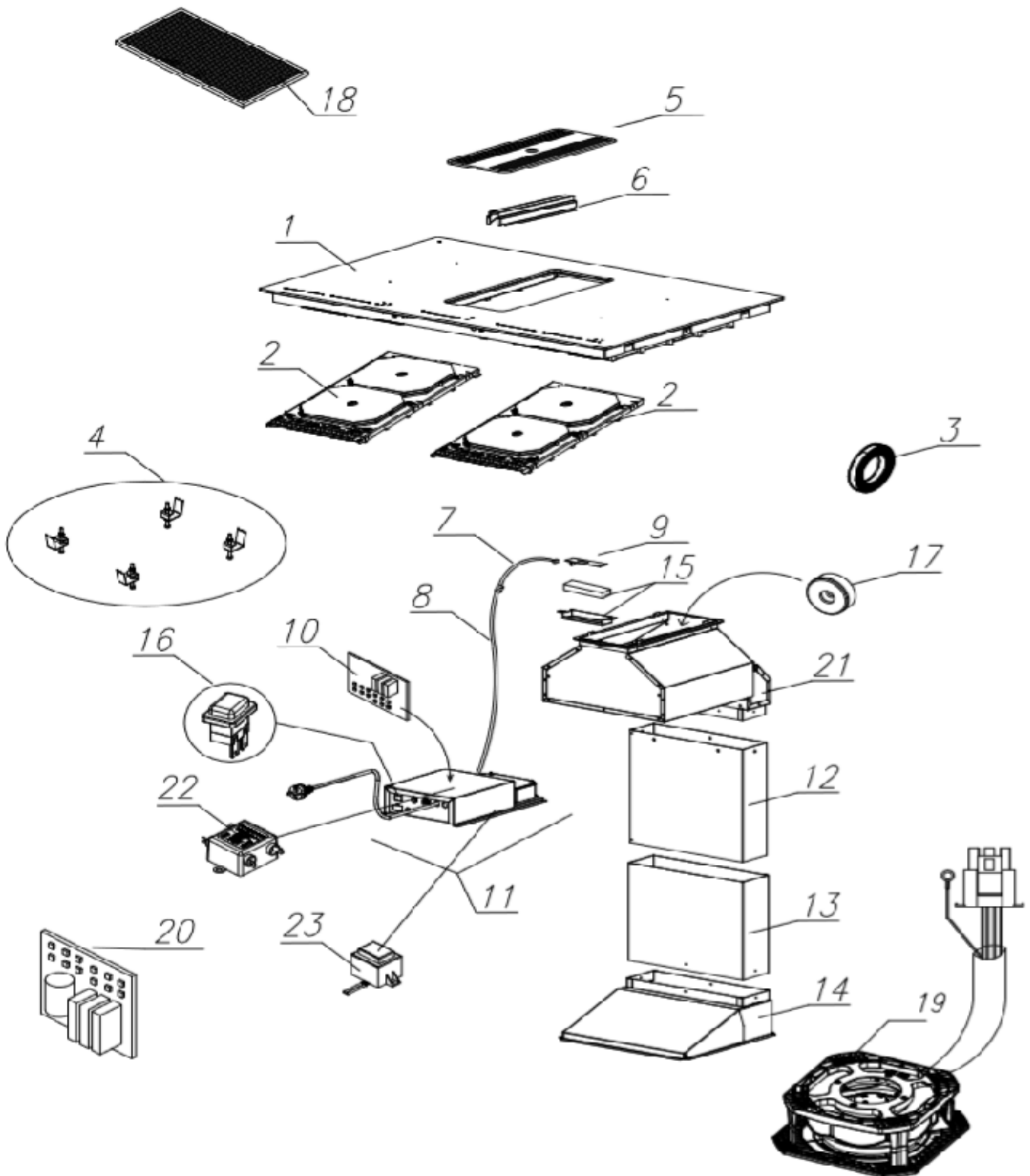


Technical Manual



DD935BK

Caple Downdraft Induction Hob





DD935BK

Caple Downdraft Induction Hob

Item	Part Number	Description	Quantity
1	75070007852	HOB GLASS 780x520	1
2	75070000030	INDUCTION	1
3	75070000025	TAPE FOR HOB	1
4	75159217303	BRACKETS	1
5	75070042140	BLACK GRILLE	1
6	75070030958	SUPPORT FOR FILTERS	1
7	75070000544	FLAT CABLE	1
8	75074510579	LEAD WIRE	1
9	75102450003	TOUCH CONTROL	1
10	75001799999	MAIN BOARD	1
11	75119211776	WIRING ASSEMBLY SDDH3	1
12	75021001127	UPPER PIPE 320X90	1
13	75021001124	LOWER PIPE 320X90	1
14	75021010347	JOINT 320X90	1
15	75070000801	TOUCH CONTROL HOB	1
16	75470199999	EMERGENCY SWITCH/START NEON	1
17	75007026155	MAGNET 15X5	1
18	75071503045	GREASE FILTER	1
19	75007096715	MOTOR	1
20	75071008008	MAIN PCB	1
21	75071008372	BLACK FILTERING CASE	1
22	44149940015	MAINS IN FILTER	1
23	75149940002	TRANSFORMER FROM 11/2018	1



DD935BK – Caple Downdraft Induction Hob

Error Codes

Error Message	Description	Possible Error Reason	Troubleshooting
E03 & Acoustic Signal	Permanent use of keys. Control unit cuts off after 10 seconds.	Water or cooking utensils on the glass above the control unit.	Cleaning of the operational surface.
E21	Control unit cuts off after controlling due to overheating to avoid damage to electronics.	Standard algorithm reaches limit when overheated. Ambient temperature of electronics still to high.	Allow cavity to cool down. Check heat sealing-off of control unit.
E22	Defective Key evaluation. Control unit cuts off after 3.5 – 7.5 sec.	Short-circuit or discontinuation in the range of the key evaluation.	Exchange control unit.
E20	Flash-failure.	µC- faulty.	Exchange control unit.
E36	NTC value is not within its specification (value < 200mV or > 4.9V; control unit cuts off.	Short-circuit or cut-off at NTC.	Exchange control unit.
E31	Configuration data incorrect.	Configuration of induction necessary.	New Configuration.
E47	Communication error between TC and induction.	None or faulty communication!	Ensure that connection cable is plugged on correctly and functional.
E2	Overheating of the induction coils		Cooling down necessary.
U400	Secondary voltage of the power unit to high (primary > 300V). Control unit cuts off after 1 sec releasing a permanent tone.	Control unit is wrongly connected.	Connect to correct mains voltage.
E5	Error on filter board.		Exchange filter board.
E6	Error on power unit.		Exchange power unit.
E9	Coil temperature sensor defective.		Exchange temperature sensor.