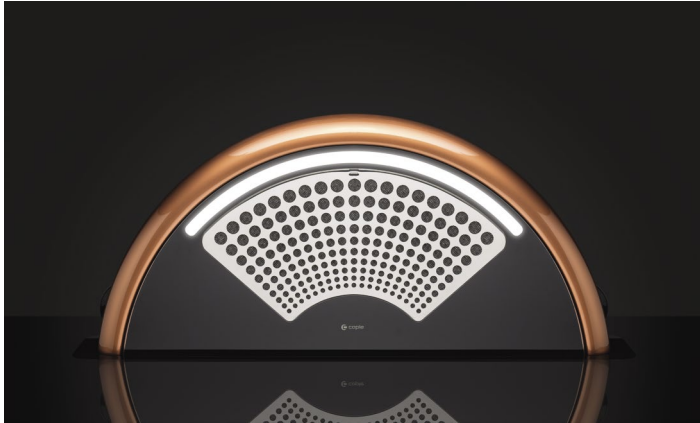




# Downdraft Hood Instruction Manual

---

## DD925C0



Contact Caple on 0117 938 7420 for spare parts or [www.caple.co.uk](http://www.caple.co.uk)

## CONTENTS

---

Introduction	3
Safety Instructions	4
Dimensions	8
Installing the Extractor	9
Grease Filter Removal, Installing the Activated Charcoal Filter	15
Electrical Connection	16
Remote Control	18
Cleaning the Extractor	22
Troubleshooting	23
Aftersales Service	24
Caple Contact Details	28

## **INTRODUCTION**

This downdraft extractor is designed to work in both recirculation mode and ducted with outside evacuation.

## **WARNING**

Keep these instructions for use with the appliance. If the appliance should be sold or passed on to others, make sure that the instructions are passed on with it. We thank you for taking note of these suggestions before installing and using the appliance. They have been written for your personal safety and the safety of others.

## SAFETY INSTRUCTIONS

This hood has been designed for personal use in the home. The appliance must be used by adults. Make sure that the appliance is out of reach of children and that they do not use it to play with. Make sure that children do not operate the controls.

- When the appliance is delivered, check the overall appearance of the packaging.
- Any remarks should be written on the delivery note, of which you keep a copy. Your appliance is designed for normal domestic use. It is not designed for commercial or industrial use, or for purposes other than those for which it was designed.
- Any consequences of or damage from incorrect installation or incorrect use of the appliance will not be covered by the manufacturer's guarantee.
- Do not ever change or try to change the characteristics of this appliance. This would be a danger. Repairs must be performed only by an authorised Caple engineer.
- Always disconnect the hood before carrying out cleaning or maintenance operations.
- Adequately ventilate the room when a cooker hood and other appliances, powered by energy other than electricity, are used simultaneously, so that the hood does not suck any-combustion fumes.

- Do not cook food over open flames (flambé) or operate gas hobs without pots or pans on them while using the hood (the flames may get sucked into the hood causing damage to the appliance).
- Frying whilst using this extractor must be done under constant supervision as hot oils and fats may ignite.
- Respect the guidelines for cleaning and replacement of grease filters. Accumulated deposits of grease are a fire hazard.
- This appliance must not be used near hobs powered by wood or coal or in any case, near hobs with power levels that could damage the appliance.
- Never use steam or high pressure devices for cleaning your hood (regulations regarding electrical safety).
- Never use the cooker hood without the grease filters fitted.
- The minimum distance between the Downdraft extractor (closed) and the surface above must be at least 400mm.
- When handling the Downdraft, never put your hands in the field of action of the extractable unit. Do not touch any moving parts.

- This appliance is intended to be used in household and similar applications such as:
  - › Staff kitchen areas in shops, offices and other working environments.
  - › Farm Houses.
  - › By clients in hotels, motels and other residential type environments.
  - › Bed and breakfast type environments.

We are constantly seeking to improve our products, we reserve the right to modify their technical, functional, or aesthetic characteristics deriving from their upgrading.

In the event a downdraft is installed with an external motor, for normal downdraft operation, it is necessary to use an external motor made by Caple.

The air collected must not be conveyed into a flue used for smoke or fumes from appliances powered by anything other than electricity (central heating systems, etc.). As far as discharging exhaust air is concerned, please follow the guidelines given by competent authorities.

There must be a minimum space of 50mm between the edge of a gas hob and the downdraft frame.



## ENVIRONMENTAL PROTECTION

Waste electrical products should not be disposed of with household waste. Please recycle where facilities exist. Check with your Local Authority or retailer for recycling advice. This appliance is marked according to the European directive on Waste Electrical and Electronic Equipment (WEEE).

By ensuring this product is disposed of correctly, you will help prevent potential negative consequences for the environment and human health, which could otherwise be caused by inappropriate waste handling of this product. The symbol on the product indicates that this product may not be treated as household waste. Instead it shall be handed over to the applicable collection point for the recycling of electrical and electronic equipment. Disposal must be carried out in accordance with local environmental regulations for waste disposal.

For more detailed information about treatment, recovery and recycling of this product, please contact your local council, your household waste disposal service or the retailer where you purchased the product.

## WARRANTY

Your new appliance is covered by warranty. The warranty card is enclosed - if it is missing, you must provide the following information to your retailer in order to receive a replacement: date of purchase, model and serial number. Registration can also be completed online by visiting [www.caple.co.uk](http://www.caple.co.uk).

Ensure you keep your warranty card safe, you may need to show it to Caple Service together with proof of purchase. If you fail to show your warranty card you will incur all repair charges.

Spare parts are only available from Caple Service and spare parts authorised centres.

## CE DECLARATIONS OF CONFORMITY



Radio Equipment Directive (RED) 2014/53/EU. This declaration is issued under the sole responsibility of the manufacturer. Hereby, Caple declares that the radio equipment included in the products is in compliance with the RED 2014/53/EU. The full text of the EU Declaration of Conformity is available on our website: [www.caple.co.uk](http://www.caple.co.uk)

## UKCA DECLARATIONS OF CONFORMITY

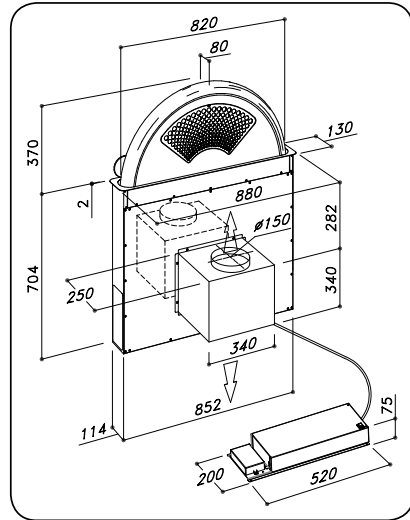
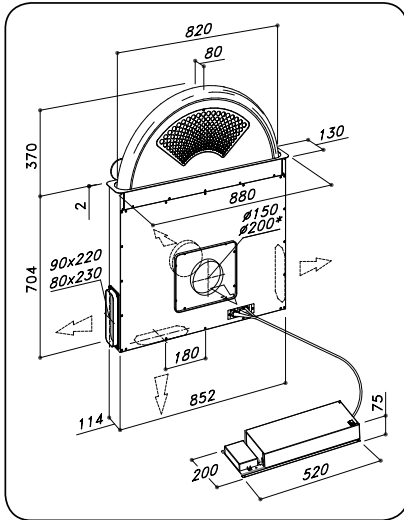


This appliance has been manufactured to the strictest standards and complies with all applicable legislation.

## TECHNICAL FICHE

This appliance conforms to all current and applicable energy regulations. To view the Technical Fiche that supports the energy labelling data, please visit the product page on our website [www.caple.co.uk](http://www.caple.co.uk).

## DIMENSIONS



### NOTE:

The Downdraft worktop cutout can be connected to the hob cutout, but only for electric hobs.

For gas hobs, a minimum 50mm gap must be left between the edge of the gas hob and the downdraft frame.

## INSTALLING THE EXTRACTOR

---

1. Before carrying out the appliance installation, please check that all components are not damaged, in such a case contact your retailer and do not carry out any installation operation.

Before the installation of the Downdraft, please remove the safety piece you can see in the picture. Furthermore, please read carefully all of the following installation instructions:

- › Use an air exhausting pipe whose maximum length does not exceed 5 meters.
- › Do not use flexible ducting.
- › Limit the number of elbows in the piping, since each elbow reduces the air capacity of 1 linear meter.  
(eg. if you use no. 2 x 90° elbows, the length of piping should not exceed 3 meters).
- › Avoid abrupt direction changes.
- › Use a 150mm constant diameter rigid ducting pipe for the whole length (or equal surface area).
- › Only use ducting approved by the standards in force.

The manufacturer shall not be deemed responsible for air capacity or noise problems caused by failure to comply with the above instructions and no warranty on the product shall be provided.

2. Before making the hole, check that there are no structural or other parts inside the cabinet, where the appliance is to be placed, which could hinder a proper installation. Check that the dimensions of the Downdraft and the ones of the hob are compatible with the cabinet so that the installation can be carried out properly.
3. Make a rectangular opening of 842 x 100mm in the back of the worktop.

- Put the Downdraft in the opening, inserting it from above as shown in (Fig. 1).

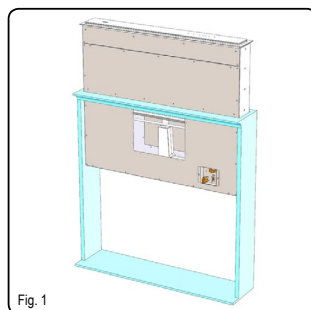


Fig. 1

- Fix the downdraft inside the cabinet, using the special fixing brackets supplied with the product (Fig. 2). Insert the brackets in the lower side of the downdraft (Fig. 2), in such a way that there is a 2mm distance between the lower side of bracket and the bottom of the cabinet (Fig. 2).

This distance will allow the traction to be positioned downwards of the product, at the moment of fixing, in order to have the stainless steel trim perfectly adhering with the work surface. Before inserting the screws, please make sure that the appliance is perfectly perpendicular with the work surface.

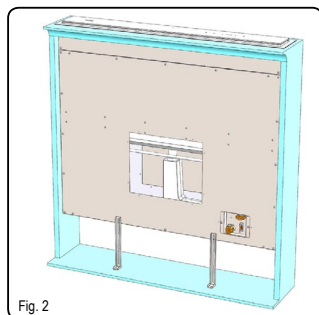


Fig. 2

- If using an internal motor with the downdraft, place the internal motor in the desired position, with the air outlet facing either upwards or downwards (Fig.3).The motor can be installed either on the front or rear of the downdraft. Once the motor is installed, connect the ducting to the air outlets.

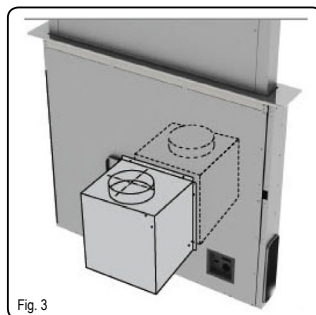


Fig. 3

7. If using an external motor, install the motor in the required position, and then fit the ducting from the motor to the downdraft. There are 5 air duct positions on the downdraft to choose from (Fig.4).

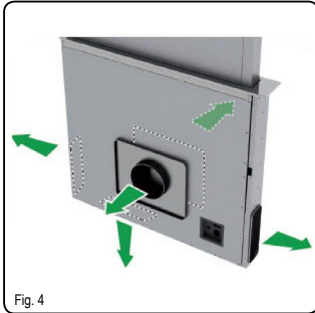


Fig. 4

8. Place the electrical box in an easily reachable area for future maintenance and service operations (Fig.5). Connect the 3 connections (9 pole connector for the actuator control and safety control, 4 pole connector for the neon lamp turn on and push button connector) (Fig.6).

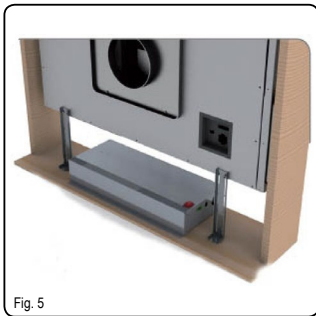


Fig. 5

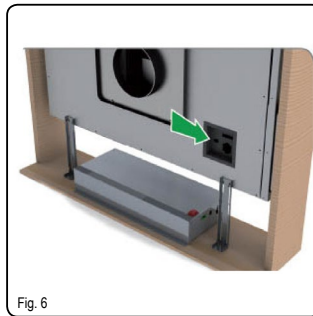


Fig. 6

9. Connect the motor unit cable to the relevant connector on the electrical components box (Fig.7).

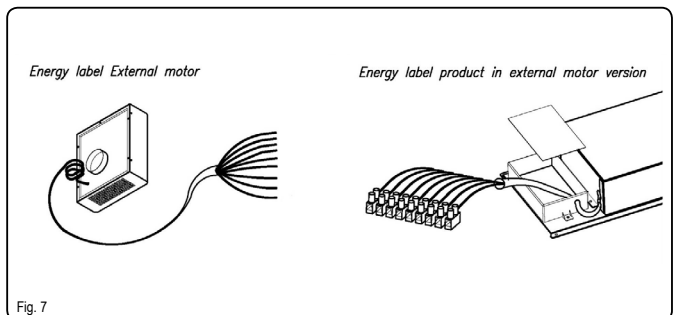
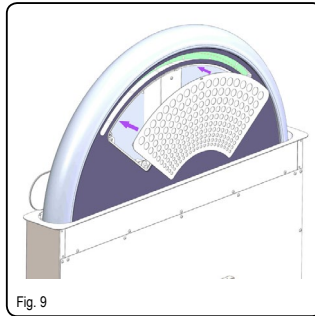
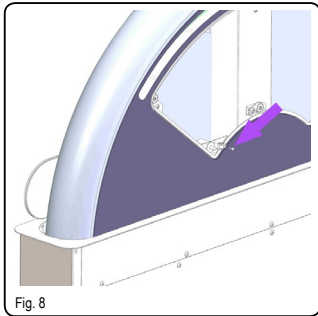


Fig. 7

10. Power the downdraft

11. Let the downdraft rise, as described in the 'How the downdraft works' section. When the downdraft has fully risen, unscrew and remove the safety locks (see Fig.8). Install the metal filter cover in this location. (Fig.9).



## HOW TO USE THE EXTRACTOR

This appliance is intended to suck cooking fumes, greases and some steam. It has been designed to work in both ducted mode, with outside evacuation, and recirculating mode.

### OUTSIDE - DUCTED VERSION

The cooker hood can be mounted in the version with outside discharge of extracted air: in this case it is necessary to connect the exhausting channel/ducting to the outside (exhausting pipes are not supplied with this product).

#### Check for a non-return valve blockage

#### WARNING:

Before connecting the air exhaust hose, make sure that the non-return valves can move freely.

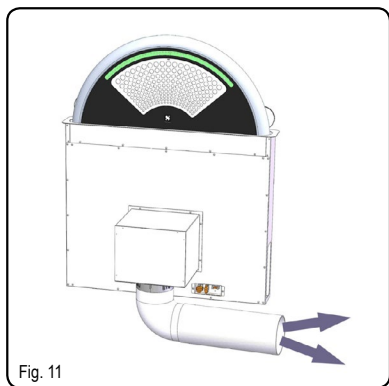


## RECIRCULATED MODE

In case fumes and vapour cannot be evacuated outside, the appliance can be used in the recirculating mode. Activated charcoal filters are required for this type of installation.

In case of outside air discharge installation, fit a non-return valve to prevent wind and back air from entering.

Air recycled through the charcoal filters is recirculated into the kitchen, thanks to a duct conveying the air beneath the cabinet (Fig 11).



### NOTE:


Activated charcoal filters are required for this type installation. To purchase the Charcoal filters please visit [www.caple.co.uk](http://www.caple.co.uk), or call our sales office on **0117 938 1900**.

### CAUTION:

Installation must comply with the regulations in force regarding the ventilation of enclosed environments. In particular, discharged air must not be conveyed into a duct used for fumes discharge or discharge from appliances using gas or other combustible materials. The use of discontinued ducts is not allowed without the approval of a qualified technician.

## GREASE FILTER REMOVAL, INSTALLING THE CHARCOAL FILTERS

---

The removal and fitting of the grease and charcoal filters need to be carried out with the downdraft in the upright/open position. To open the downdraft, push the  key.

Remove the metal grease filters, which are magnetically secured to the appliance, by using either a hand tool or a knife edge. Using the slot found in the filter sides, as shown in Fig. 9.

The charcoal filter is installed directly on the back of the grease filter (see Fig. 12). Charcoal filters shall be replaced accordingly to the effective use of the Downdraft, and in any case at least once every 6 months.

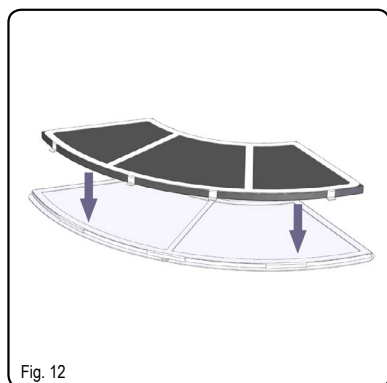


Fig. 12

### **WARNING:**

After having replaced the charcoal filters, ensure the front stainless steel panel is re-applied, otherwise the downdraft will not be able to function.

## ELECTRICAL CONNECTION

---

### **WARNING:**

Place the metal box containing the electronic components at a distance of no less than 65cm from gas operated hobs or in any case, 65cm from the suctioning surface of the cooker hood.

### **NOTE:**

We recommend installing the metal box containing the electronic components at least 10cm above floor level and at a suitable distance from all heat sources (e.g. ovens or hobs).

### **CAUTION:**

This appliance is fitted with an H05 VVF 3 conductor, 0.75mm<sup>2</sup> (neutral, phase, and ground) power cord.

This can be connected up to a 220 - 240 V monophasic electrical network through a CEI 60083 approved power socket, which must remain accessible after installation, in compliance with installation regulations. We decline any responsibility in case of accidents caused by a lack of ground connection or incorrect ground connection. The appliance must be fed through a differential protection device (RCD), with a nominal residual current not exceeding 30mA. If the power cord is damaged, call the Caple after-sales service to avoid any risk.

### **WARNING:**

- › The downdraft connection to the electrical network must be carried out only by professional and qualified technicians.
- › The downdraft must be connected to a properly installed and suitable electrical network.
- › The electrical system must comply with VDE0100 standard.

### **DANGER:**

If the cooker hood presents any anomaly, disconnect the appliance or remove the fuse corresponding to the appliance power disconnecting line.

If the appliance has no plug or if the plug is not easily accessible, then a device needs to be fitted to cut it off from the electric network; this device must have an opening distance between contacts on all poles of at least 3mm.

## **ELECTRICAL CONNECTION**

While installing the appliance and carrying maintenance operation, make sure it is disconnected from the electrical network or the fuses are cut out or removed.

Check that:

- › Power is enough.
- › Feeder lines (mains) are in good condition.
- › The cable diameter complies with installation regulations.

## REMOTE CONTROL

---

Remote control used for the remote operation of Caple island hoods:



### TECHNICAL DATA:

<b>ALKALINE BATTERY POWERED:</b>	12V mod. 27A
<b>OPERATING FREQUENCY:</b>	433.92 Mhz
<b>COMBINATIONS:</b>	4096
<b>MAX. CONSUMPTION:</b>	25 mA
<b>OPERATING TEMPERATURE:</b>	-20 ÷ + 55 °C

## **LIGHT ON/OFF KEY**

The light switches on and off only when the downdraft is fully **OPEN/UP**.

Pressing this button with the downdraft closed will cause the downdraft to open and then the light will switch on.

The button also serves to switch off the light if it is on.

## **ON/OFF KEY**

This starts the downdraft unit upward movement and when it is fully open, it sets the second extraction speed.

With the downdraft open/up: it switches off the motor and if on, the light; then it retracts the downdraft unit.

## **KEY**

This reduces the speed of the extractor motor from the 4th speed until the motor switches off, without closing the pull-out carriage.

## **INDICATORS**

This signals the speed setting, by only the relevant LED switching on.

## **KEY**

This increases the speed of the extractor motor, from 1st to 4th speed, without moving the extractor panel.

## **TIMER**

After 10 minutes from its setup, it allows to stop the motor, close the extractable unit and turn the lights off, if on.

Push the key again to annul this function

**OTHER FUNCTIONS:****AUTOMATIC TURN OFF**

After 4 hours of continuous working from the last function selection, the appliance turns off and closes automatically.

**SECURITY SAFETY SYSTEM:**

If there is an obstacle while the extractable unit is closing, the Downdraft stops closing and rises again thanks to a security system.

**WARNING:**

This operation has to be carried out by a specialised technician.

**STANDARD CONFIGURATION:**

Standard configuration requires all cooker hood remote controls to be provided with the same transmission code. In the event two cooker hoods radio control system are installed in the same room or nearby, each system may affect the operation of the another. Therefore, the code of one radio control system must be changed.

**GENERATING A NEW TRANSMISSION CODE:**

The radio control system is provided with preset codes. Should new codes be required, proceed as follows: Press simultaneously buttons:



for two seconds. When LED's light on, press buttons:



(within 5 seconds). LED's flashing 3 times indicate the procedure is completed.

**WARNING:**

This operation permanently deletes the preset codes.

## LEARNING THE NEW TRANSMISSION CODE

Once the transmission code is changed in the remote control unit, the electronic central unit of the cooker hood must be made to set the new code in the following way:

Press the main power-off button on the hood and then restore power to the electronic control unit. Within the next 15 seconds, press the Light Button to synchronise the central unit with the code.

### WARNING:

The battery should be replaced every year to guarantee the optimal range of the transmitter. To replace the battery, take the plastic lid off, remove the battery and replace it with a new one, observing the correct battery polarities. Used batteries should be discarded in special collection bins.

### TIMING

- › This product is equipped with intelligent electronics which include a timer device for speed controls when the air capacity exceeds 650m<sup>3</sup>/h. Internal motor models, with maximum air capacity higher than 650m<sup>3</sup>/h, are equipped with a timer device that automatically switches the speed from 4th to 3rd speed, after 6 minutes operation.
- › External motor models are equipped with remote motors that, as for internal motor versions, include a timer device that switches down the speed when it exceeds 650m<sup>3</sup>/h. (See External Motors Instructions). Remote motors, whose air capacity exceeds 650m<sup>3</sup>/h at both 4th and 3rd speed, will have the following by default timer control functions: The speed is automatically switched from 4th to 2nd speed, after 6 minutes operation.
- › If the appliance is working at 3rd speed, it is automatically switched to 2nd speed, after 7 minutes operation. Operation speeds can also be changed during operation. The energy consumption of the appliance in standby mode is lower than 0.5W.

## CLEANING THE EXTRACTOR

Careful maintenance helps to ensure the correct operation and good performance over time.

### CAUTION:

The hood must be disconnected from the electrical network, both by unplugging the appliance from the socket and activating the magnetic circuit breaker (safety cut-out), before removing the metal grease filters. After cleaning, replace the metal grease filters as outlined in the installation instructions.

MAINTENANCE	HOW TO PROCEED?	ACCESSORY PRODUCTS TO USE
External surfaces and accessories	Do not use metallic scrubbers, abrasive products, or hard brushes.	To clean the external surfaces of the cooker hood and the light housing screen use only commercially available household detergents diluted in water. Then rinse with clean water and dry with a soft cloth.
Active charcoal filter	<p>In the recirculation mode, the active charcoal filter must be replaced periodically.</p> <p>To remove the charcoal filter first remove the grease filter and then pull the plastic key of the panel itself, in order to disengage it from its seating.</p> <p>Follow these steps in reverse order to insert the active charcoal filter.</p> <p>Replace the used charcoal filter on an average of every six months.</p>	

## TROUBLESHOOTING

---

PROBLEM	SOLUTION
The downdraft does not work	Check that: <ul style="list-style-type: none"><li>» There is not a power outage.</li><li>» A specific speed has actually been selected.</li><li>» The red reset key, found over the electrical system box, is pushed.</li><li>» Make sure that the wires of the 9 pole connection are inserted properly in the connector itself (during the connection phase, an excessive pressure could bend the contacts).</li></ul>
The downdraft has low performance	Check that: <ul style="list-style-type: none"><li>» The motor speed selected is sufficient for the quantity of fumes and vapours present in the room.</li><li>» The kitchen is ventilated well enough to allow air for intake.</li><li>» The charcoal filter is not worn out. (Filtering version cooker hood).</li><li>» The air outlet channel is free and compliant with paragraph no.2.</li><li>» The non-return valves of the suctioning unit are free to rotate.</li></ul>
The downdraft stops in the middle of operation.	Check that: <ul style="list-style-type: none"><li>» There is not a power outage.</li><li>» The omnipolar device has not tripped.</li></ul>

## AFTER SALES SERVICE

---

Any maintenance operation on your appliance should be carried out by:

- › Either your retailer;
- › Or another Caple approved engineer or similar qualified person.

If a problem still persists and further assistance is required, please contact our Caple after sales team on:

**T - 0117 938 7420**

**E - [service@caple.co.uk](mailto:service@caple.co.uk)**

**NOTE:**

When contacting Caple Service, please provide the appliance details shown on the appliance labels. This information is stated on the rating label and the production date is placed on the lower side of the downdraft.





## NOTES:

## NOTES:



Caple Service	BS11 8DW
Fourth Way	T: 0117 938 1900
Avonmouth	E: <a href="mailto:service@caple.co.uk">service@caple.co.uk</a>
Bristol	<a href="http://www.caple.co.uk">www.caple.co.uk</a>