

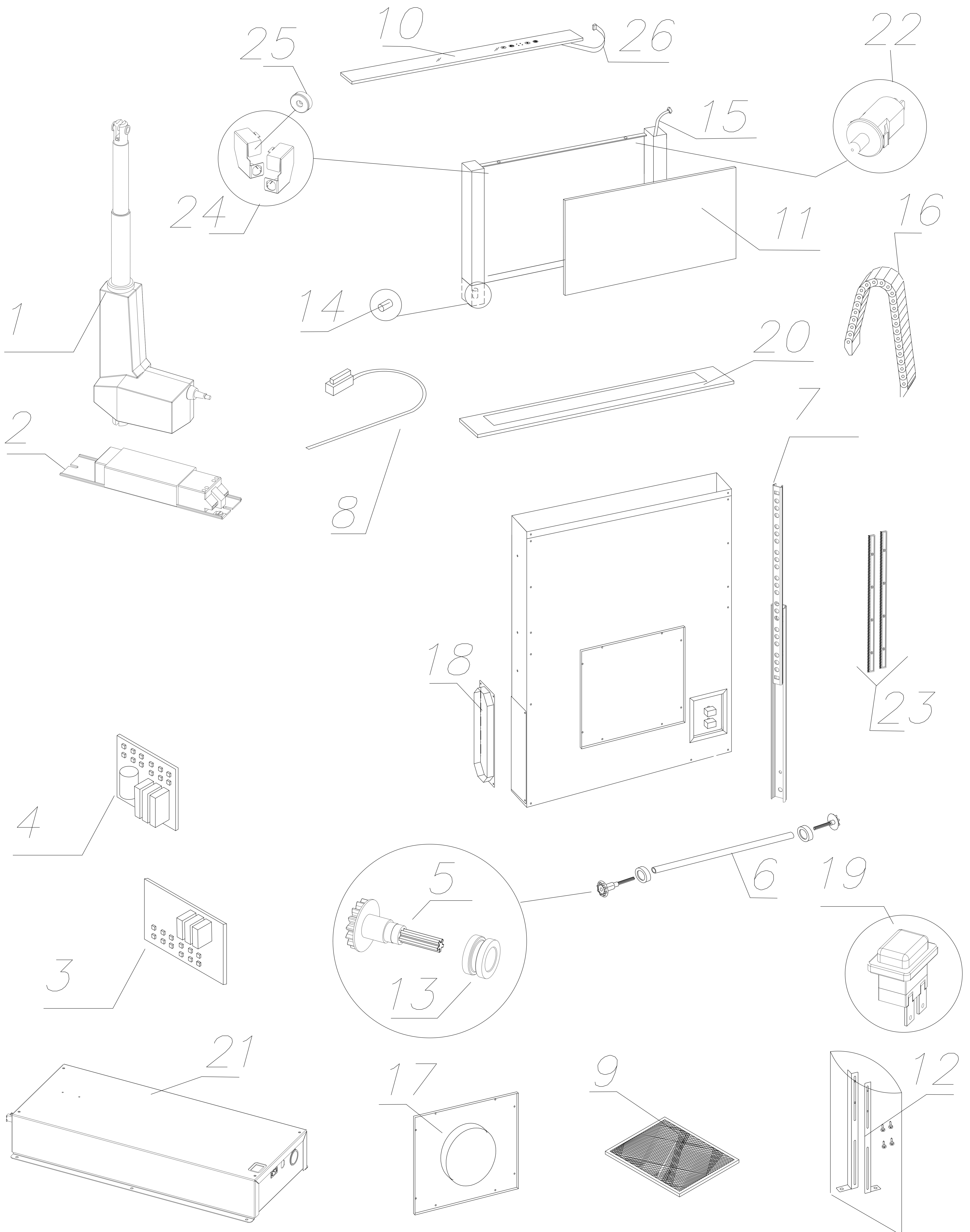


# DD521BK

Caple Downdraft 52cm hood



## Technical information





## DD521BK - Caple Downdraft 52cm hood

Item	Part Code	Description	Qty
1	75072099999	LA31 300MM S-DD2 ACTUATOR GROUP	1
2	75075030309	TRANSFORMER 220-240V 50Hz 50W	1
3	75004249999	S-DD2 WIRING BOARD	1
4	75075034398	E.L. MAIN PRINT	1
5	75180030400	GEAR S-DD1	1
6	75180030153	GEAR ROD S-DD2	1
7	75181734380	SLIDE KA1730/3380 M4 TYPE	1
8	75075030312	MAGNETIC SENSOR L520	1
9	75071500020	GREASE FILTER S-DD2 60	1
10	75042206107	ASS. R. FRONTALE PULS. TC S-DD3 52 CAPLE	1
11	75071505282	ASS. R. PANNELLO SDD3 60 CAL. 2014 XS430	1
12	75070020009	ASS. R. A.S.A. S-DD3-EM CAPLE	1
13	75550099999	ACTUATOR BUSH SET	1
14	75075030314	MAGNETIC UNIT D4X10	1
15	75023899999	FLAT CABLE	1
16	75074516018	S-DD2 CHAIN	1
17	75021001097	S-DD2 FRONT JOINT	1
18	75021002083	S-DD2 WELDED CHIMNEY CONNECTION	1
19	75470199999	EMERGENCY SWITCH/START NEON	1
20	75071505158	ASS. R. BORDO CARCASSA SDD3 52 MCS-N158 X430	1
21	75119250584	SDD2 WIRING ASSEMBLY	1
22	75025100335	BUTTONS 6A	1
23	75036099999	FLAT CABLE	1