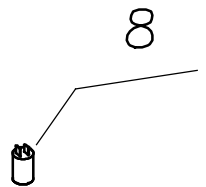
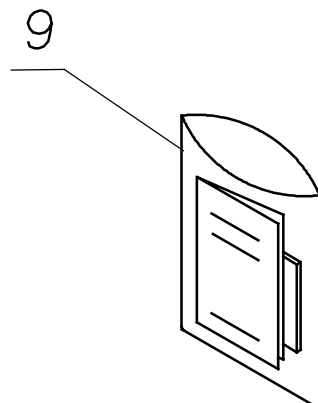
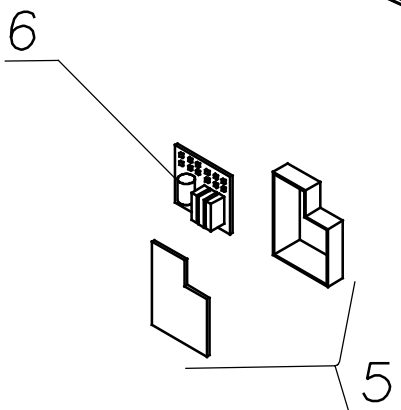
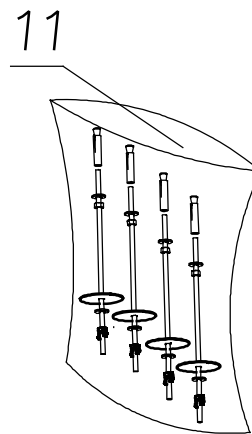
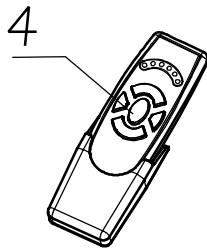
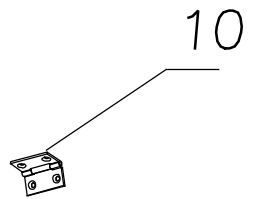
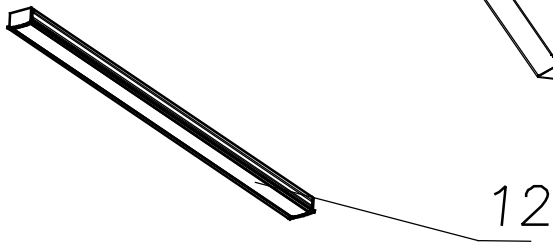
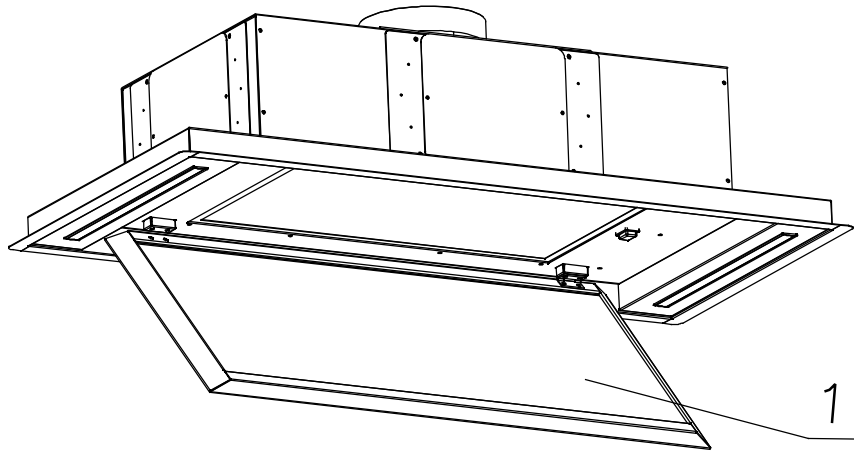
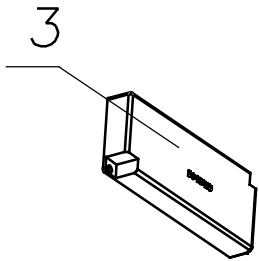
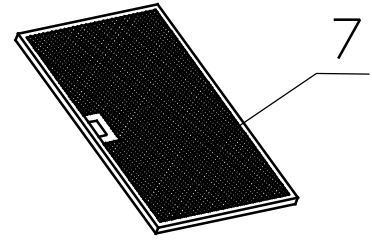
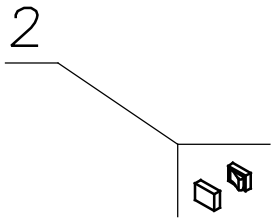




**CE900**

**Caple 90cm Ceiling extractor**

**Technical information**





## CE900 - Caple 90cm Ceiling extractor

Item	Part Code	Description	Qty
1	75095841293	ASS. R. PANNELLO S958 CAPLE XS430	1
2	75470199999	EMERGENCY SWITCH/START NEON	1
3	42030122320	TRASFORMATORE EL. DC 12V EFU 122320	1
4	44002000999	Remote controle	1
5	75071439999	WIRING BOX SET	1
6	44001819999	SCREEN ELECTRICAL BOARD SLT/E	1
7	60080999999	GREASE FILTER 480 X 300 TYPE L	1
8	42041999999	CAPACITOR 5MF	1
9	90095000422	INSTRUCTION MANUAL CE1105 CE1100 CE1500	1
10	60186303003	FLAT MILLED HINGE	1
11	77009509999	SL 950 ACCESSORY BOX	1
12	42010320010	LED 320mm (Before Jun-14)	1
12	42010320006	LED 320mm (From Jun-14)	1