



CE1122WH

Caple Ceiling extractor

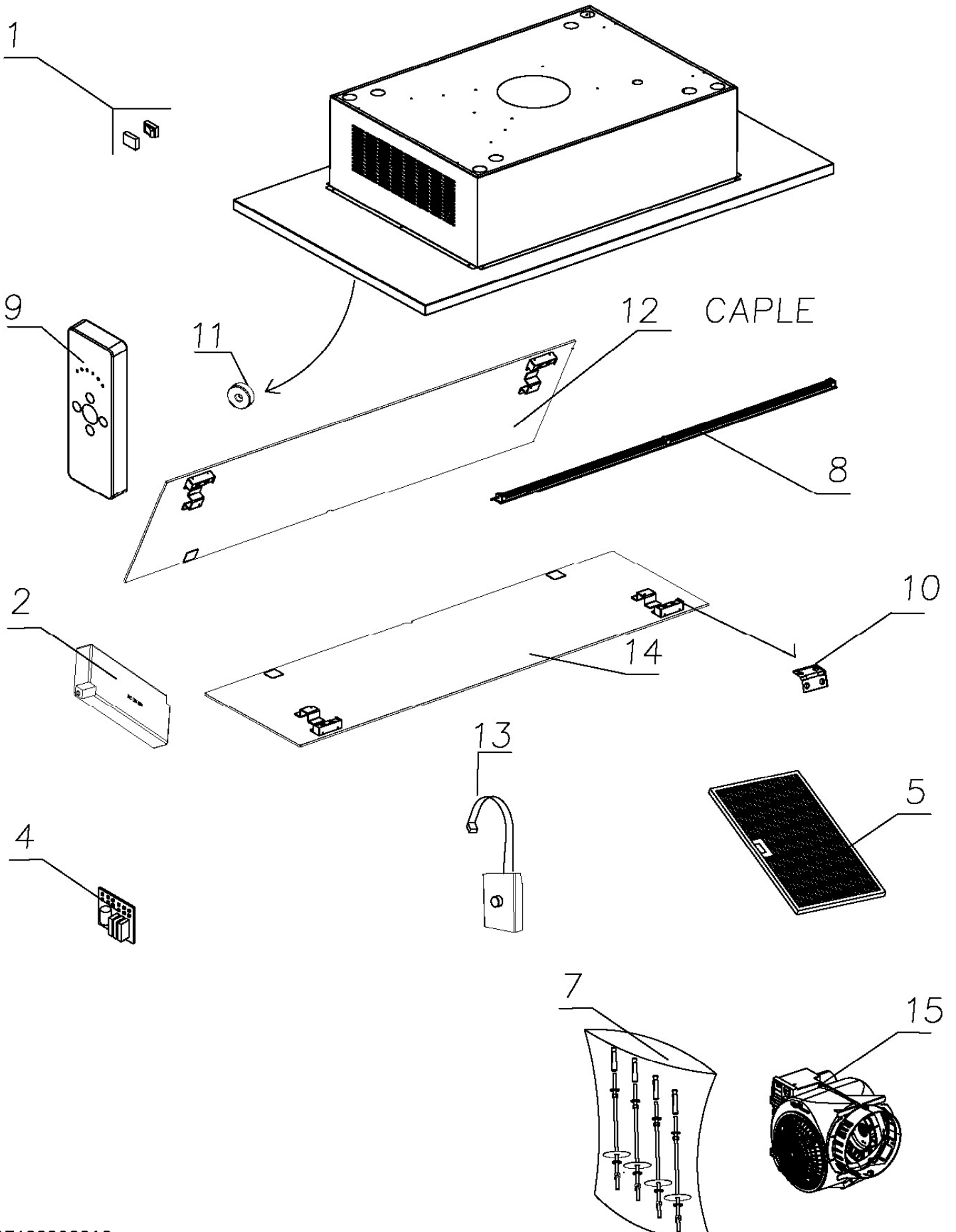


Technical information



CE1122WH

Cable Ceiling extractor





CE1122WH - Caple Ceiling extractor

Item	Part Code	Description	Qty
1	75470199999	EMERGENCY SWITCH/START NEON	1
2	75007026551	transformer	1
4	75007096681	main print SLT/ED EL	1
5	75096000032	ALUMINIUM FILTER SLT960	1
7	75096000950	ACCESSORIES BOX SLT960	1
8	42010900015	LED BAR 900mm 15W	1
9	75470140400	REMOTE CONTROL	1
10	75096003003	FLAT MILLED HINGE	1
11	75096000553	MAGNET 20X3	1
12	75096042133	GLASS PANEL SLT960 CAPLE	1
13	75096000283	SPEED INDICATOR SLT960	1
14	75196042133	GLASS PANEL SLT960 (NO LOGO)	1
15	75061500099	Motor GPE837	1

60110019105 Safety Cable short

60110300030 Spring carbine

60110019107 Safety Cable long



CE1122WH Wiring Diagram

