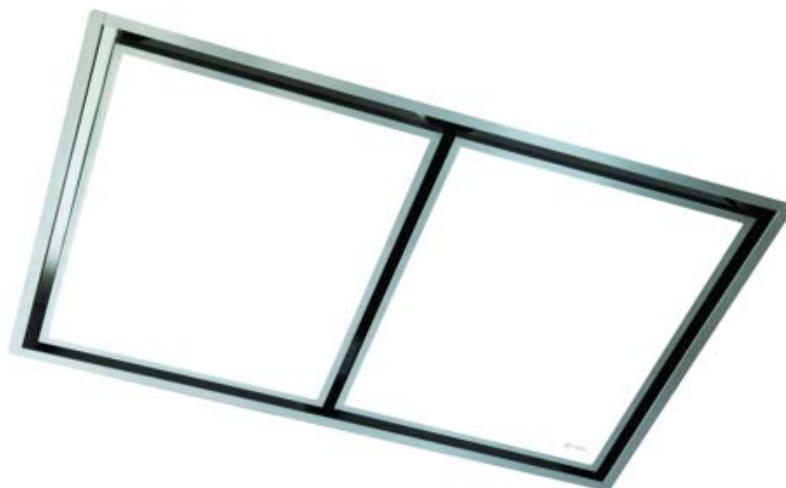




CE1105

Caple Ceiling extractor

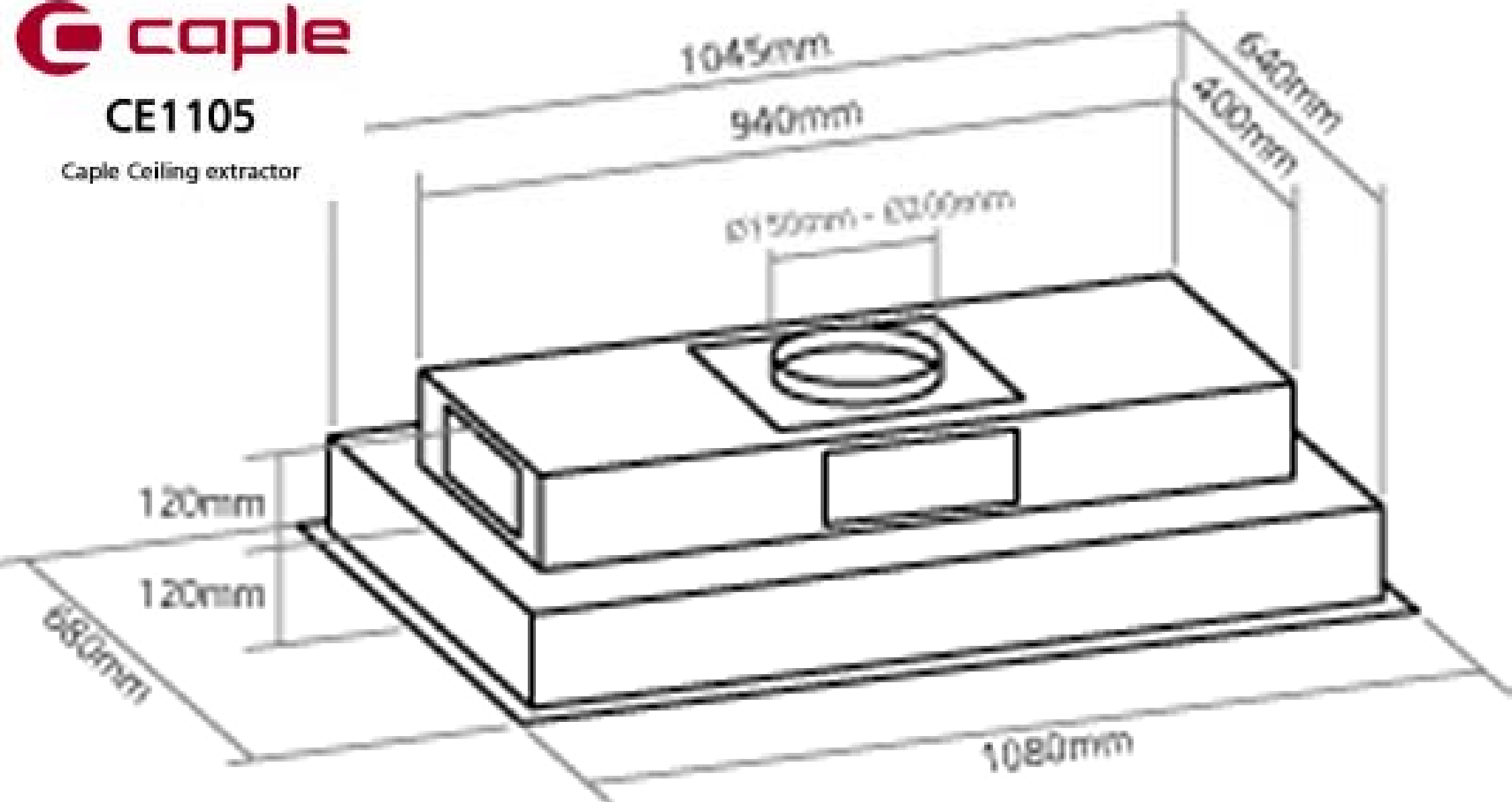


Technical information

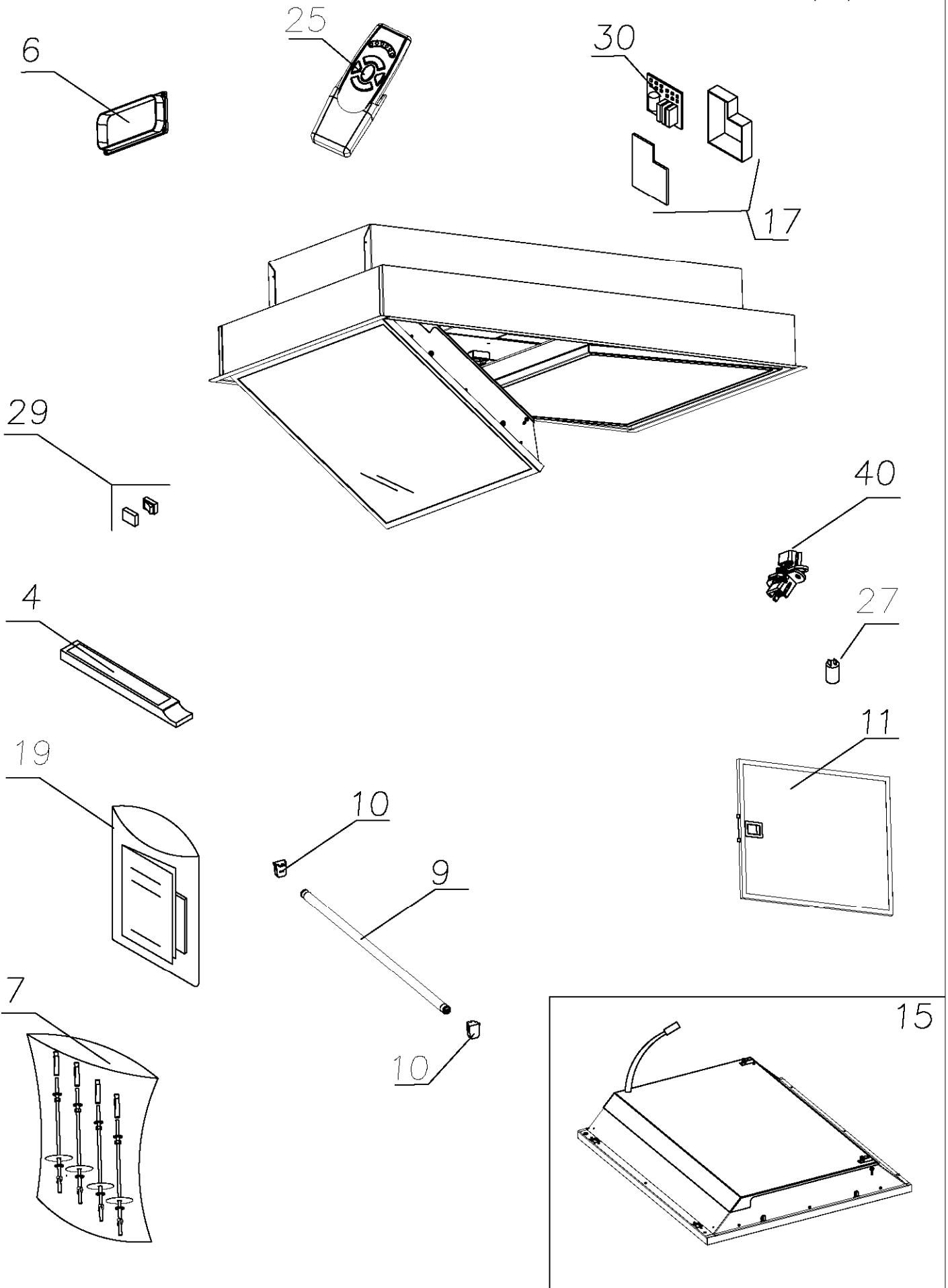


CE1105

Caple Ceiling extractor



12/11/2011

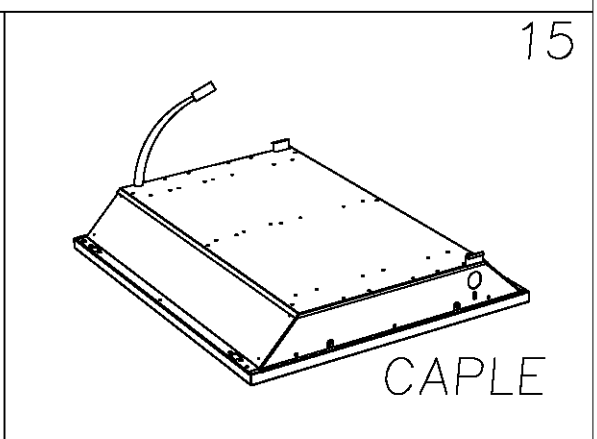
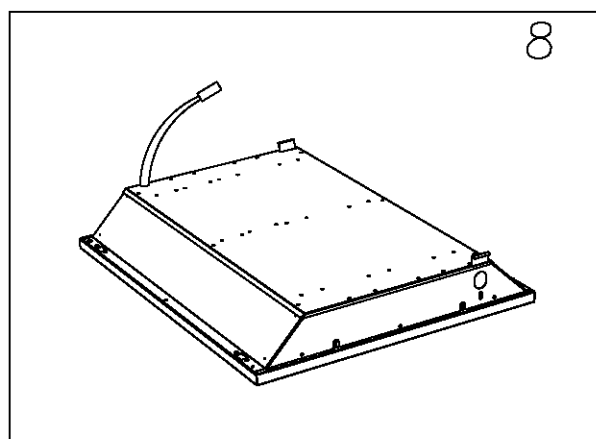
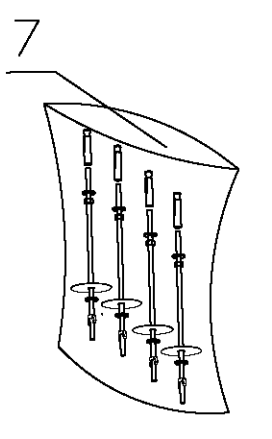
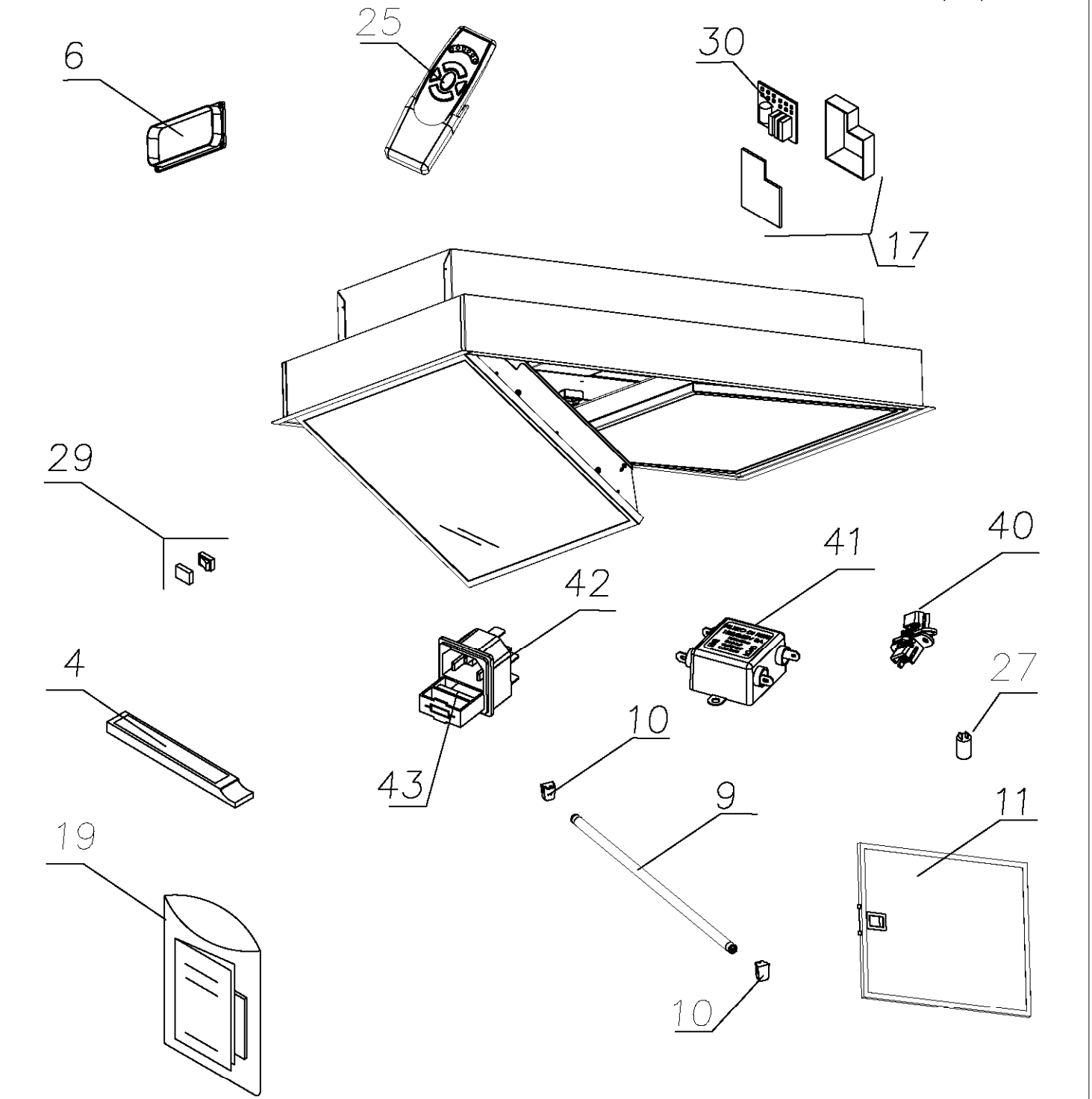




CE1105 - Caple Ceiling extractor

Parts list before 11/2011

Item	Part Code	Description
4	42030095210	TRANSFORMER
6	51070102735	PIPE SIDE CONNECTION
7	77009509999	ACCESSORY BOX
9	68121486530	NEON TYPE TL5HE 14W/865
10	51101001399	NEON SUPPORT G5
11	60080460000	GREASE FILTER
15	75095200011	REAR PANEL ASSEMBLY
17	75071439999	WIRING BOX SET
19	90095000422	DOCUMENTS
25	44002000999	REMOTE CONTROL
27	42041999999	5MF CAPACITOR
29	75470199999	EMERGENCY BUTTON / ACC. NEON
30	44001819999	PCB
40	60121460155	HINGE

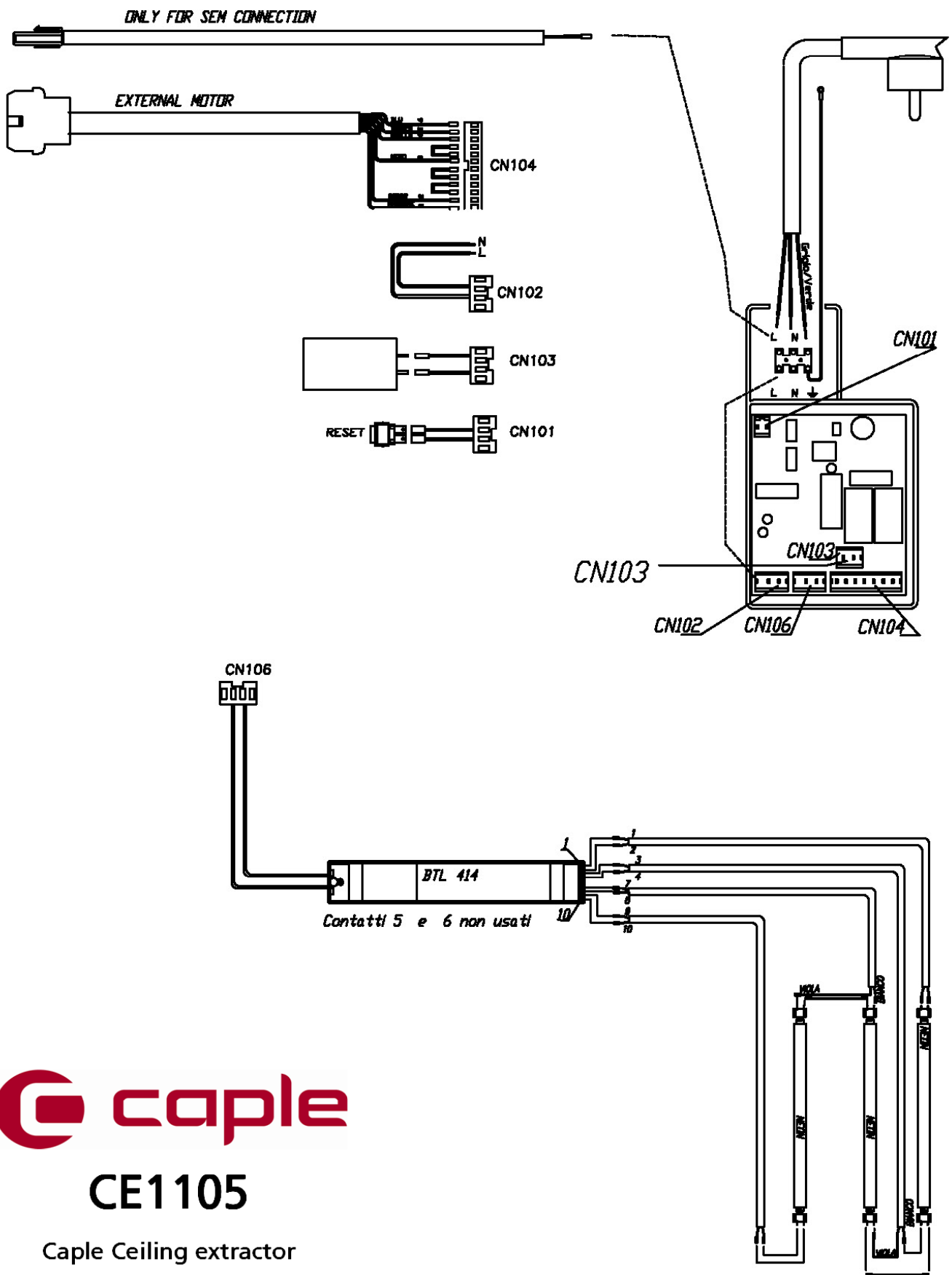




CE1105 - Caple Ceiling extractor

Parts list from 11/2011

Item	Part Code	Description
4	42030095210	ELECTRONIC TRANSFORMER TYPE BTLT
6	51070102735	PIPE SIDE CONNECTION
7	77009509999	ACCESSORY BOX
8	75095202011	NEW PANEL
9	68121486530	NEON TYPE TL5HE 14W/865
10	51101001399	NEON SUPPORT G5
11	60080460000	GREASE FILTER SL 46
15	75095242011	NEW PANEL
17	75071439999	WIRING BOX SET
19	90095000422	Documentation
25	44002000999	Remote controle
27	42041999999	CAPACITOR 5MF
29	75470199999	EMERGENCY SWITCH/START NEON
30	44001819999	BASE ELECTRIC
40	60121460155	HINGE
41	44149940003	FILTER NETWORK EXTENDED 3 ° 250V SP40003
42	44149999999	CONTROL BOARD S900
43	44169999999	CONTROL BOARD S900



CE1105

Caple Ceiling extractor