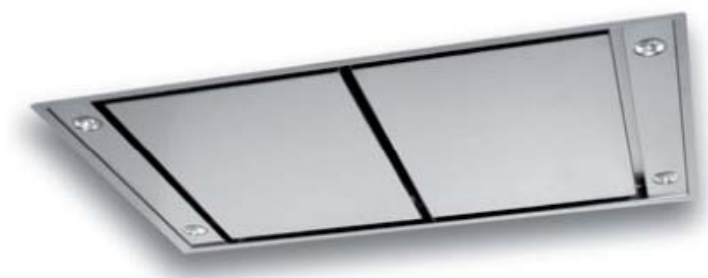




CE1101

Caple ceiling extractor

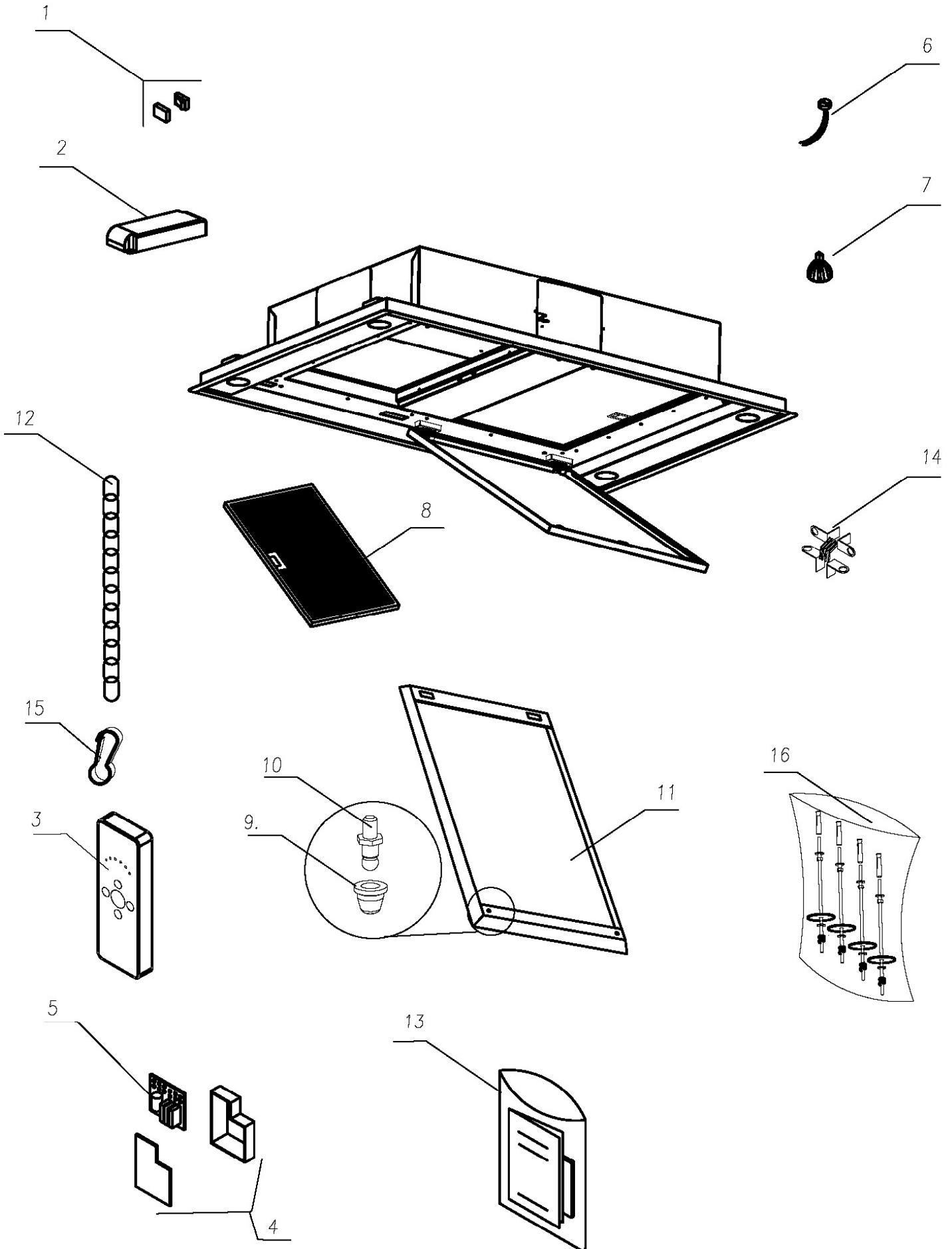


Technical information



CE1101

Caple ceiling extractor





CE1101 - Caple ceiling extractor

| Item | Part Code | Description | Qty |
|------|-------------|---------------------------------------|-----|
| 1 | 75470199999 | EMERGENCY SWITCH/START NEON | 1 |
| 2 | 42030099999 | TRANSFORMER 20/105 W | 1 |
| 3 | 75470140400 | REMOTE CONTROL | 1 |
| 4 | 75071439999 | WIRING BOX SET | 1 |
| 5 | 75070180181 | MAIN PRINT SLT/E EL | 1 |
| 6 | 60167999999 | SUPPORT FOR DICHROIC LAMPS | 1 |
| 7 | 42013099990 | DICHROIC LAMP 16W D.50 | 1 |
| 8 | 60080999999 | GREASE FILTER 480 X 300 TYPE L | 1 |
| 9 | 60182207073 | COUPLINGS FOR MUONTING 40700701312 | 1 |
| 10 | 60182207079 | BALL STUDS WITH EXTERNAL THREAD 40350 | 1 |
| 11 | 75095101086 | LOWER PANEL | 1 |
| 12 | 60182211199 | CHAIN | 1 |
| 13 | 90095001101 | INSTRUCTION MANUAL | 1 |
| 14 | 60121460155 | HINGE | 1 |
| 15 | 60110300030 | SNAP | 1 |
| 16 | 77009509999 | SL 950 ACCESSORY BOX | 1 |