



CE1100

**Caple Ceiling extractor
(Motor not included)**



TECHNICAL INFORMATION



New product information sheet

Product name: CE1100

Description: 110cm Ceiling extractor

Product code: CE1100

Features

Dimensions 1100 x 700mm

Stainless steel

Remote control included

4 Speeds

4 x 20W dichroic light with dimmer

Auto timer switch-off after 10 minutes

Aluminium grease filters

Ducting spigot size 150mm



MOTOR not included.

Motor options:

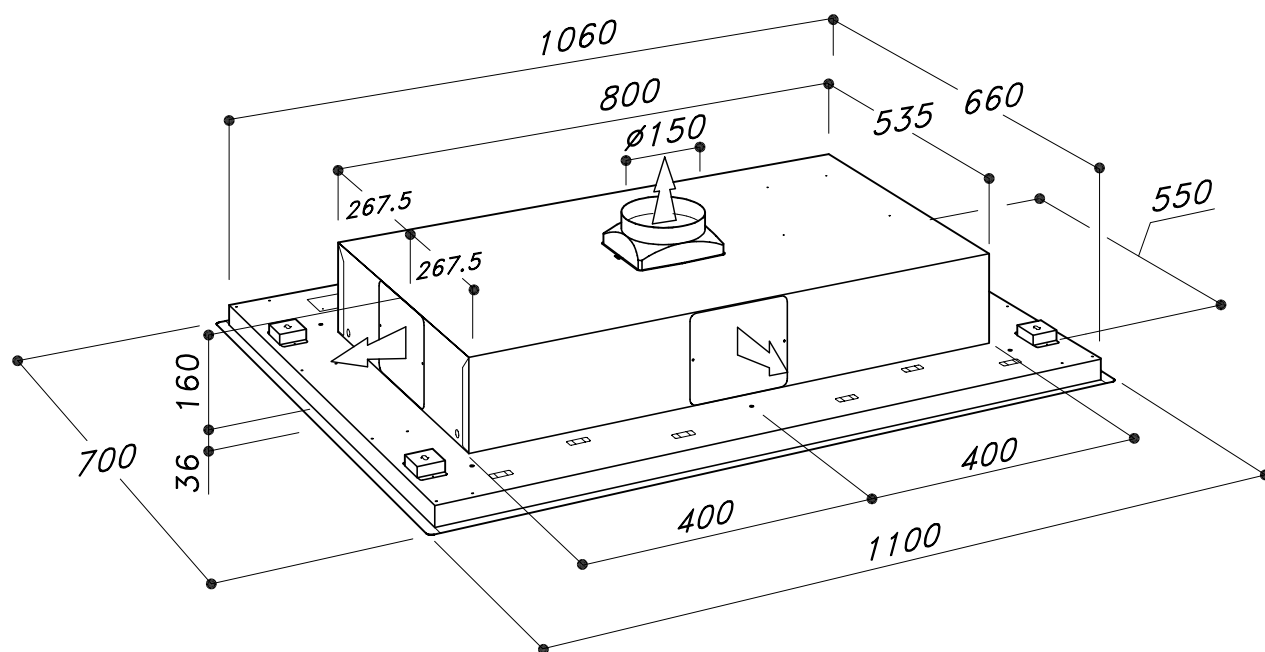
DDMEXT2 - ceiling cavity / under floor installation, 1000m³/h

DDMEXT3 - outside wall installation, 1000m³/h

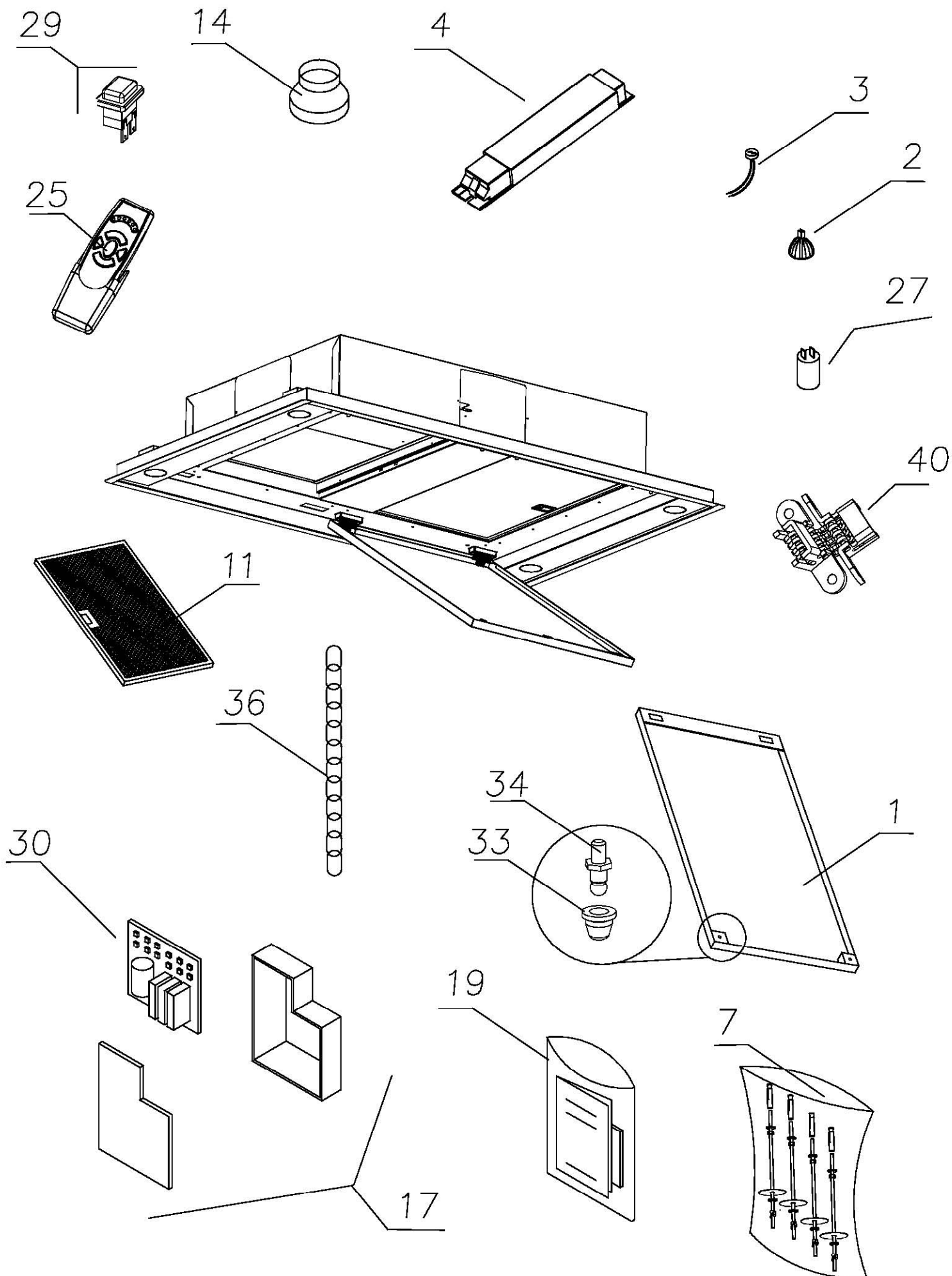
DDMEXT4 - outside wall installation, 1500 to 2100m³/h

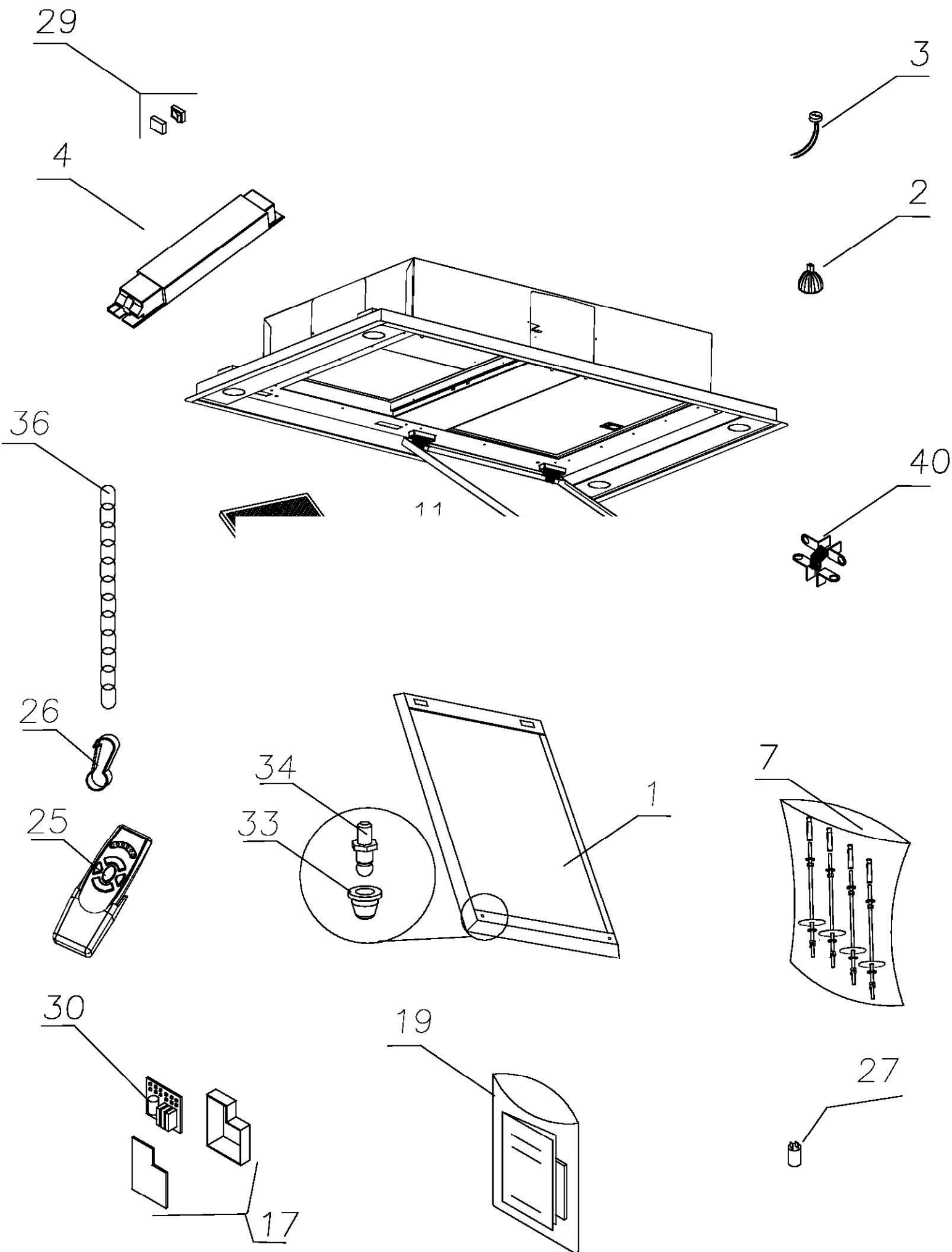
S951

CE1100



For the installation, create a false ceiling with a niche of 1065mm for 665mm whose minimum height to be reached is 270mm







CE1100 - Caple Ceiling extractor

Item	Part Code	Description
1	77095100511	PANEL ASSEMBLY (Before Oct-11)
1	75095101086	PANEL ASSEMBLY (From Oct-11)
2	42013099999	DICHROIC LAMP 20 W D50
3	60167999999	SUPPORT FOR DICHROIC LAMPS
4	42031999999	TRANSFORMER 100 W
7	77009509999	SL 950 ACCESSORY BOX
11	60080999999	GREASE FILTER 480 X 300 TYPE L
14	51071000399	REDUCTION FLANGE 150/125 AE
17	75071439999	WIRING BOX SET
19	90001101023	LIBR. ISTR. CE1100/CE1500 SLT951/SLT951
25	F77009000100	REMOTE CONTROLE
26	60110300030	MOSCHETTONE-MOLLA A FERRO 30mm NICHELATA
27	42041999999	CAPACITOR 5MF (Before Oct-11)
27	42043999999	CAPACITOR 4 MICROF. (From Oct-11)
29	75470199999	EMERGENCY SWITCH/START NEON
30	44001889999	BASSETTA IMPIANTO ELETTR. SLT/TCD 1M SW
33	60182207073	COUPLINGS FOR MUONTING 40700701312
34	60182207079	BALL STUDS WITH EXTERNAL THREAD 40350703902B
36	60182211199	CHAIN
40	60121460155	HINGE

