



CE1000

Caple Ceiling extractor WHITE

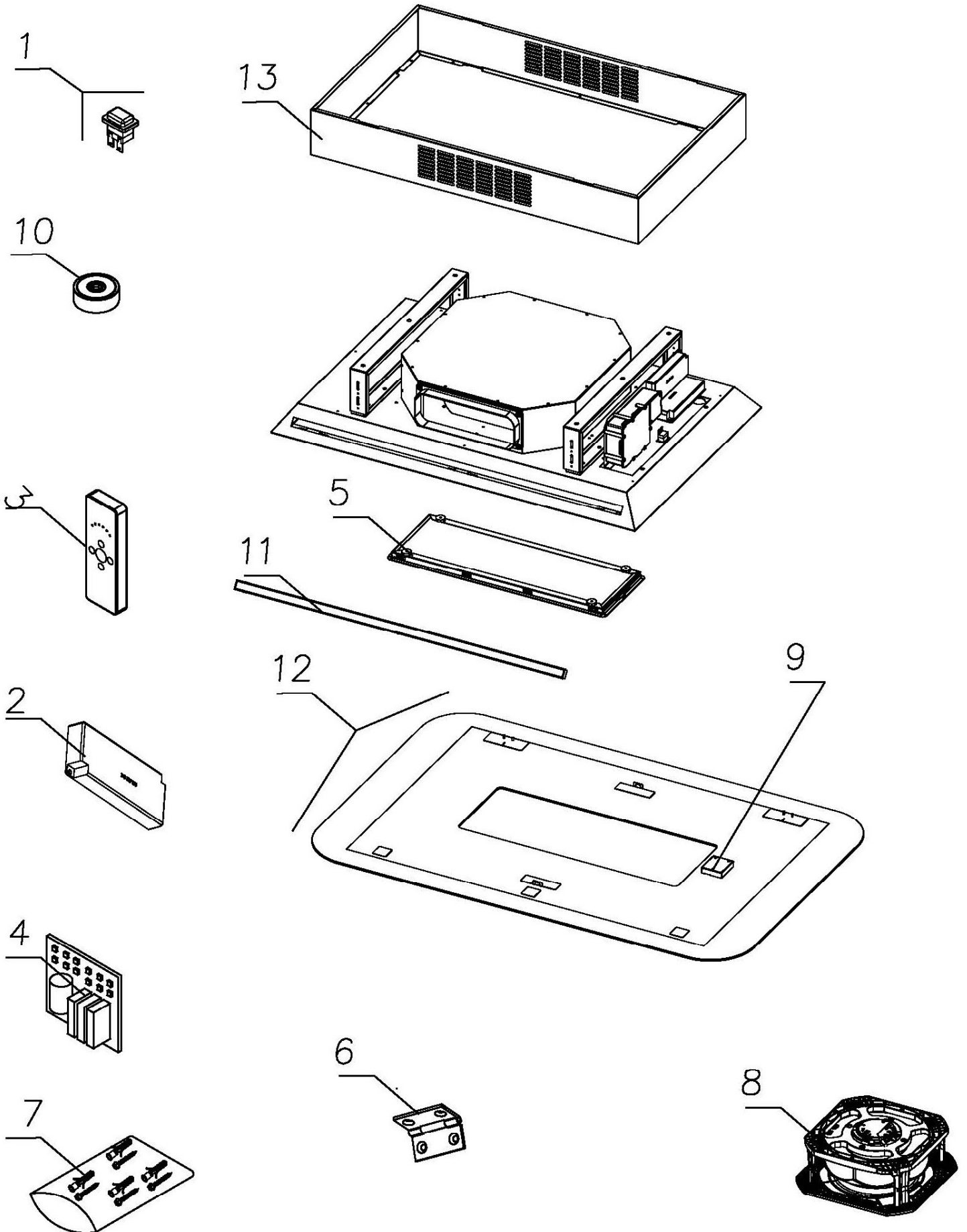


Technical information



CE1000

Caple Ceiling extractor WHITE





CE1000 - Caple Ceiling extractor WHITE

| Item | Part Code | Description | Qty |
|------|-------------|-----------------------------------|-----|
| 1 | 75470199999 | EMERGENCY SWITCH/START NEON | 1 |
| 2 | 75007026320 | TRANSFORMER DC 12V EFU 122320 | 1 |
| 3 | 75007026001 | BLACK REMOTE CONTROL SIRIUS RC001 | 1 |
| 4 | 75007096609 | PCB SLT/ED EL EC | 1 |
| 5 | 75007096721 | GREASE FILTER + GRILL | 1 |
| 6 | 75096003003 | FLAT MILLED HINGE | 1 |
| 7 | 75007096500 | ACCESSORIES | 1 |
| 8 | 75007096715 | MOTOR EBM K3G220RD5303 | 1 |
| 9 | 75009580001 | SPEED INDICATOR | 1 |
| 10 | 75042964553 | MAGNET | 1 |
| 11 | 75096302014 | LED STRIP 752mm 15.5w 12V 4200°K | 1 |
| 12 | 75422296723 | GLASS | 1 |
| 13 | 75007096522 | FRAME COVER | 1 |