



ceiling extractor instruction manual

CE1000



Contact Caple on 0117 938 7420 or for spare parts www.caple.co.uk





CONTENTS

WARNINGS	3
ENVIRONMENTAL PROTECTION	6
USES	7
INSTALLATION	8
REMOTE CONTROL	12
DIMMABLE LIGHTS FUNCTION	13
OPERATION	14
TIMING	16
MAINTENANCE	17

Please keep this instruction manual for future reference






WARNINGS

The appliance is not intended for use by young children or infirm persons without supervision. Young children should be supervised to ensure they do not play with the appliance.

The extracted air can't be conveyed through or into a duct used to let out fumes from appliances fed by energy other than electric power (eg. centralized heating, radiators, water-heaters, etc.).

To evacuate the air outlet, please comply with the pertaining rules given by competent authorities.

- Provide the room with an adequate aeration when a cooker hood and appliances fed by energy other than electric power (gas, oil, or coal stoves, etc.) are used simultaneously. The cooker hood, when evacuating the extracted air, could generate a negative pressure in the room which can't exceed the limit of 0.04 mbar, in order to avoid the suck of exhausts deriving from the heat-source. Therefore the room should be provided with air-intakes to allow a constant flow of fresh air.
- If the rating label in the cooker-hood does **not** show the symbol  the appliance is built in class I° and it **needs** the earth connection.
- When performing the electrical connections on the appliance, please make sure that the current-tap is provided with earth connection and that voltage values

Please keep this instruction manual for future reference



correspond to those indicated on the label placed inside the appliance itself.

- Before carrying out any cleaning or maintaining operations, the appliance needs to be removed from the electric grid.
- If the appliance is not provided with a non separable flexible cable and plug, or with another device ensuring omnipolar disconnections from the grid, with an opening distance between the contacts of at least 3 mm, then such disconnecting devices must be supplied within the fixed installation.
- If the appliance is endowed with a supply cord and a plug, the appliance has to be put in a place where the plug can be reached easily.

The use of materials which can burst into flames should be avoided in close proximity of the appliance. When frying, please pay particular attention to fire risk due to oil grease. Being highly inflammable, fried oil is especially dangerous. Do not use uncovered electric grills. In order to avoid possible fire risk, all instructions for grease filter cleaning and for removing eventual grease deposits should be strictly followed.

- This appliance complies with all relevant local and national safety requirements. Inappropriate use can, however, lead to personal injury and damage to property.
- The cooker hood is not intended for outdoor use.
- It must only be used as a domestic appliance to extract

Please keep this instruction manual for future reference





vapours and remove odours from cooking. Any other usage is not supported by the manufacturer and could be dangerous.

- Where a recirculation cooker hood is fitted above a gas hob, please ensure that there is an adequate supply of fresh air into the room in which it is installed. Please seek the advice of a qualified gas fitter (e.g. GasSafe in the UK) if necessary.
- Children under 8 years of age must be kept away from the cooker hood unless they are constantly supervised.
- Children 8 years and older may only use the cooker hood
- unsupervised if they have been shown how to use it safely and recognise and understand the consequences of incorrect operation.
- The electrical safety of this appliance can only be guaranteed when correctly earthed. It is essential that this standard safety requirement is met. If in any doubt please have the electrical installation tested by a qualified electrician.
- Do not connect the appliance to the mains electricity supply by a multi-socket unit or an extension lead. These are a fire hazard and do not guarantee the required safety of the appliance.
- The cooker hood can get very hot during cooking due to heat rising from the hob.
- Do not touch the housing or the grease filters until the cooker hood has cooled down.

Please keep this instruction manual for future reference





ENVIRONMENTAL PROTECTION

Waste electrical products should not be disposed of with household waste. Please recycle where facilities exist. Check with your Local Authority or retailer for recycling advice. This appliance is marked according to the European directive 2012/19/EU on Waste Electrical and Electronic Equipment (WEEE).

By ensuring this product is disposed of correctly, you will help prevent potential negative consequences for the environment and human health, which could otherwise be caused by inappropriate waste handling of this product. The symbol on the product indicates that this product may not be treated as household waste. Instead it shall be handed over to the applicable collection point for the recycling of electrical and electronic equipment. Disposal must be carried out in accordance with local environmental regulations for waste disposal.

For more detailed information about treatment, recovery and recycling of this product, please contact your local council, your household waste disposal service or the retailer where you purchased the product

CE DECLARATIONS OF CONFORMITY

Radio Equipment Directive (RED) 2014/53/EU

This Declaration is issued under the sole responsibility of the manufacturer.

Hereby, Caple declares that the radio equipment included in the product is in compliance with the RED directive 2014/53/EU.

The full text of the EU Declaration of Conformity is available on our website www.caple.co.uk.

Please keep this instruction manual for future reference





USES

PANELS OPENING

- The grease filters cover panels are opened by slightly pulling them , as shown in fig. 1. Open the glass panels using both hands and take them up to full opening.
- **CONTINUE TO TAKE THE GLASSES UP WHILE OPENING THEM. THE APPLIANCE CAN BE INSTALLED IN BOTH BUILT-IN AND FREE-STANDING VERSION.**
- For proper operation, we recommend to install the appliance at a maximum distance of 2000 - 2100 mm from the floor.
- Before installing the appliance, check that all the components are not damaged, otherwise contact your retailer and do not carry out installation.
- Use an air exhaust pipe, whose length does not exceed 5 meters.
 - Limit the number of elbows , since each elbow reduces the appliance air capacity of about 1 linear meter. (E.g: if no. 2 x 90° elbows are used, the piping length shall not exceed 3 meters).
 - Avoid abrupt direction changes.
 - Use a 150mm/200mm constant diameter pipe for the whole length.
 - Use a standard approved material pipe.

Please keep this instruction manual for future reference



SURFACE MOUNTED INSTALLATION

Take the product out of the packaging and place it on a suitable surface: we suggest to use a soft material, such as a sponge or a cloth.

Open the glass panel, as shown in Fig. 1, and remove the grease filters.

Before installation, in order to avoid any possible damage to the glasses, we recommend to remove them by unscrewing the eight screws shown in fig. 10. Electrically disconnect the led bars, by using the specific bipolar actuator, and refit the glasses and the electric wiring once installation is completed.

Drill the holes on the ceiling, as shown in Fig. 2, insert the plastic plugs into the holes made, and then fix the ceiling brackets, as shown in Fig. 3. The brackets, which being telescopic can be adjusted in height, shall be secured at their minimum extension. Bring the hood close to the brackets previously fixed and connect the appliance to the supply mains.

Secure the hood to the ceiling, by using the screws supplied, as shown in Fig. 4.

RECESSED BUILT IN INSTALLATION

Take the product out of the packaging and place it on a suitable surface: we suggest to use a soft material, such as a sponge or a cloth.

Open the glass panel, rotating it as shown in Fig. 1, and remove the grease filters.

Before installation, in order to avoid any possible damage to the glasses, we recommend to remove them by unscrewing the eight screws shown in fig. 10. Electrically disconnect the led bars, by using the specific bipolar actuator, and refit the glasses and the electric wiring once installation is completed.

In the built-in installation, the stainless steel external cover is not necessary (Fig. 5).

A recess shall be created, where the appliance will be placed, which shall have a 730 mm X 450 mm rectangular opening and depth ranging from 110mm to 190 mm.



Install the hood on the ceiling, connect the canal system for the air outlet, set the electrical connection and then complete the plaster board structure.

The recess shall be provided with a socket and a round pipe of 150mm diameter, or a similar section, for the air outlet.

Drill the holes on the ceiling, as shown in Fig. 2, insert the plastic plugs into the holes made, and then fix the ceiling brackets as shown in Fig. 3.

The ceiling brackets are telescopic, so their height can be adjusted at 80 mm between the ceiling and the hood.

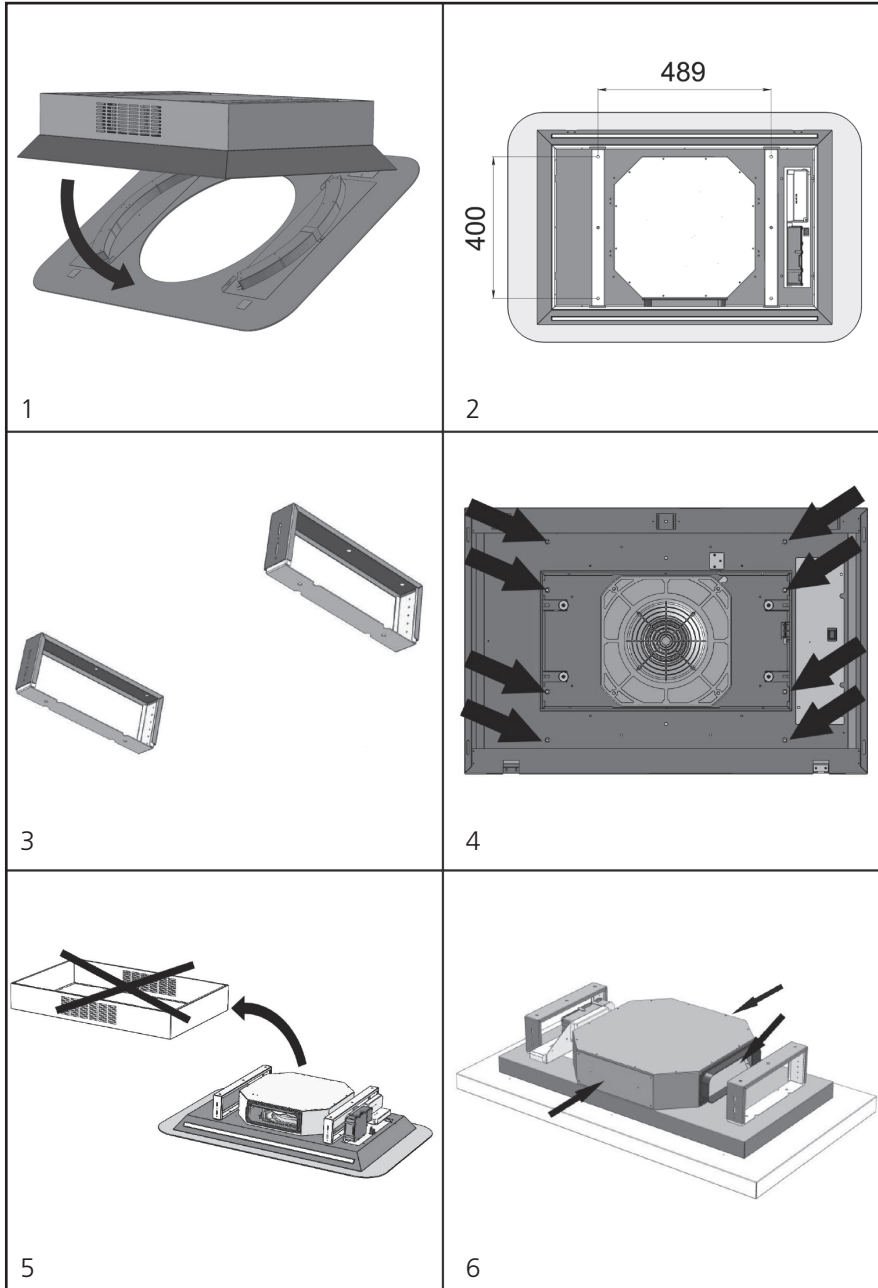
You can choose one of the three air outlets shown in Fig. 6: fit the air outlet plastic flange in the desired outlet; the remaining outlets shall be closed with the specific metal caps, as shown in fig. 6.

Bring the hood close to the brackets previously fixed and then connect the appliance to the supply mains. Secure the hood to the ceiling, by using the screws supplied, as shown in Fig. 4.

NOTE: For more information on venting, please see our 'Extraction & Ventilation guide' available on our website www.caple.co.uk.

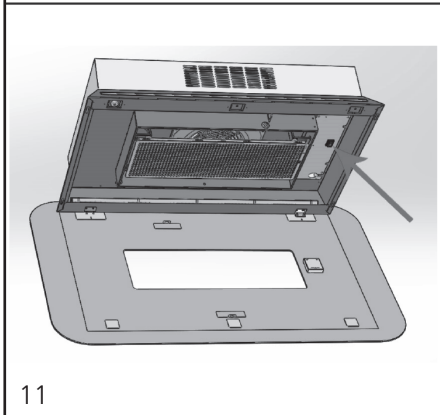
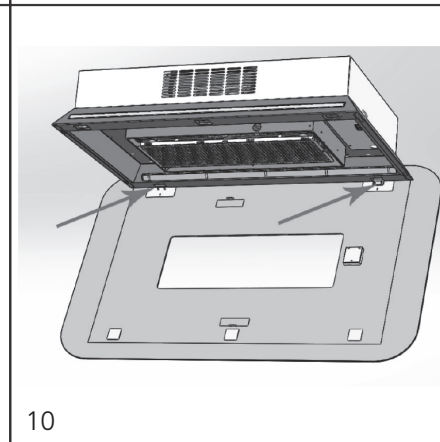
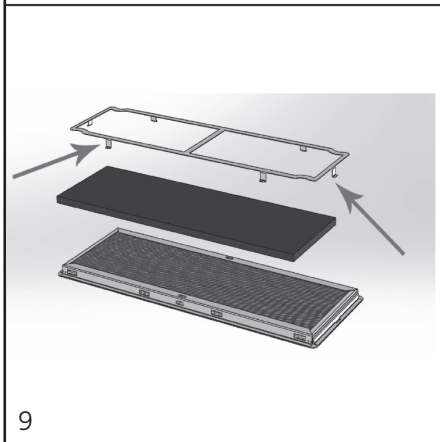
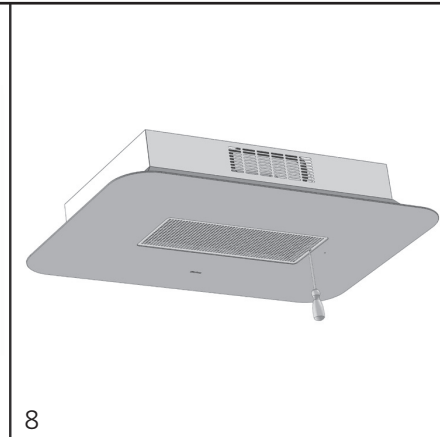
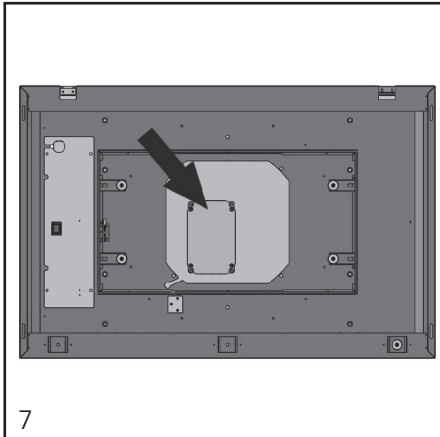
Please keep this instruction manual for future reference

Instruction manual CE1000 9



Please keep this instruction manual for future reference





Please keep this instruction manual for future reference





REMOTE CONTROL

Remote control used for the operation of Cadle island hoods:

Technical Data

Alkaline battery powered :	12 V mod. 23 A
Operating frequency :	433.92 Mhz
Combinations :	32.768
Max. consumption :	25 mA
Operating temperature:	-20 ÷ + 55 °C
Dimensions :	120 x 45 x 15 mm

OPERATING DESCRIPTION

The transmitter is equipped with 5 buttons for cooker hood management, as specified below:



Light ON/OFF command.



Motor ON (speed level 1) / OFF command.



Reduce speed.



Increase speed.



10-minute timer.

The set suction speed is indicated by the LED in the suction perimeter channel.

To each color generated by the LED, it corresponds a specific speed, as shown below: First speed WHITE

Second speed BLUE

Third speed DARK BLUE

Fourth speed RED

Please keep this instruction manual for future reference





DIMMABLE LIGHTS FUNCTION

This function provides for lights dimmability, ranging from 20% to 100% , by continuously pressing the light key on the remote control.

Functions are the following:

- Hood light off - Press the light key - on at 100%.
- Light on at 100% - Press the light key - off.
- Light on at 100% - Continuously press the light key - Brightness reduction.
- Releasing the key during reduction or increase, the light keeps the luminous intensity reached.
- Light on dimmed - Continuously press the light key - Brightness is inverted if compared to the previous function.

INITIAL OPERATING CONDITION

The manufacturer supplies the radio control unit ready to be used with codes preset in the Factory.

Please keep this instruction manual for future reference

Instruction manual CE1000 13



OPERATION

Standard configuration:

Standard configuration requires all cooker hoods radio control system to be provided with the same transmission code. In the event two cooker hoods radio control system are installed in the same room or nearby, each system may affect the operation of the another. Therefore, the code of one radio control system must be changed.



Generating a new transmission code:

The radio control system is provided with preset codes. Should new codes be required, proceed as follows: Press simultaneously buttons:



for two seconds. When LEDs light on, press buttons:




(within 5 seconds). Leds flashing 3 times indicate the procedure is completed.

WARNING:

This operation deletes permanently the preset codes.

Learning the new transmission code::

Once the transmission code is changed in the radio control unit, the electronic central unit of the cooker hood must be made to set the new code in the following way: Press the main power-off button of the hood (fig. 11) and then restore power to the electronic control unit. Within the next 15 seconds, press the Light Button  to synchronise the central unit with the code.



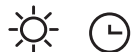


Reset of the Factory configuration:

To restore the Factory configuration, follow the procedure described below: press simultaneously buttons:



for 2 seconds. When LEDs light on, press buttons:



(within 5 seconds). LEDs flashing 6 times indicate the procedure is completed.

WARNING! This operation deletes permanently the preset codes.

Emergency button:

In the event that the radio control does not work, use the emergency button to switch the appliance off. After any necessary repairs have been performed, reset the emergency button.

WARNING:

The battery should be replaced every year to guarantee the optimal range of the transmitter. To replace the exhausted battery, take the plastic lid off, remove the battery and replace it with a new one, observing the correct battery polarities. Used batteries should be discarded in special collection bins.

WARNING:

Any adjustments or modifications which have not been expressly approved by the holder of the legal conformity certificate may invalidate the user's rights relating to the operation of the device.

The products are endowed with an electronic device which allows the automatic switching off after 4 hours working from the last operation.

Please keep this instruction manual for future reference

Instruction manual CE1000 15



TIMING

- As a result of the new EU65 "Energy label" and EU66 " Ecodesign" regulations issued by the European Commission, which came into force as from January 1st, 2015 , our products have been adapted to comply with these new requirements. All of the models complying with the energy label requirements, are equipped with new electronics including a timer device for speed controls, when the air capacity exceeds 650m³/h. Internal motor models, with maximum air capacity higher than 650m³/h, are equipped with a timer device that automatically switches the speed from 4th to 3rd speed, after 5 minutes operation.
- External motor models are equipped with remote motors that , as for internal motor versions, include a timer device that switches down the speed when it exceeds 650 m³/h. (See External Motors Instructions). Remote motors, whose air capacity exceeds 650m³/h at both 4th and 3rd speed, will have the following by default timer control functions: The speed is automatically switched from 4th to 2nd speed, after 6 minutes operation.
- If the appliance is working at 3rd speed, it is automatically switched to 2nd speed, after 7 minutes operation. Operation speeds can also be changed during operation. The energy consumption of the appliance in standby mode is lower than 0.5W.

Please keep this instruction manual for future reference



MAINTENANCE

- An accurate maintenance guarantees good functioning and long-lasting performance. Particular care is due to the grease filter. The grease filter is fixed through magnets, therefore it is sufficient to insert a hand tool or the tip of a knife in the dedicated opening and push upwards in order to pull the filter out of its place. See Fig. 8 In order to remove the filter from the hood, unhook the two security cables opening their snap hooks, The active charcoal filter has to be removed after the extraction of the grease filter by pushing the specific handle (fig.9).To reinsert the grease filter after the cleaning, just perform the opposite operation.
- The grease filter can be cleaned by hand washing or in dishwashers.
- The active charcoal filter used in these hoods can be washed and re-used for up to a maximum 3 years. We recommend that these are replaced during this period.
- To purchase replacement charcoal filters please visit www.caple.co.uk or call 0117 938 1900.
- To wash the charcoal filters, wash by hand with warm water or in the dishwasher, and then bake in the oven at 90 degrees for 1 hour.
- To clean the appliance itself tepid water and neutral detergents are recommended, while abrasive products must be avoided.
- The power-supply cable must be replaced by authorised qualified staff only.

Please keep this instruction manual for future reference



Notes:

Please keep this instruction manual for future reference





Notes:

Please keep this instruction manual for future reference

Instruction manual CE1000 19





Caple Service
Fourth Way
Avonmouth
Bristol
BS11 8DW

t: 0117 938 7420
e: service@caple.co.uk
www.caple.co.uk

Contact Caple on 0117 938 7420 or for spare parts www.caple.co.uk

