



ST852

Caple Storm 852 Built Under Hood

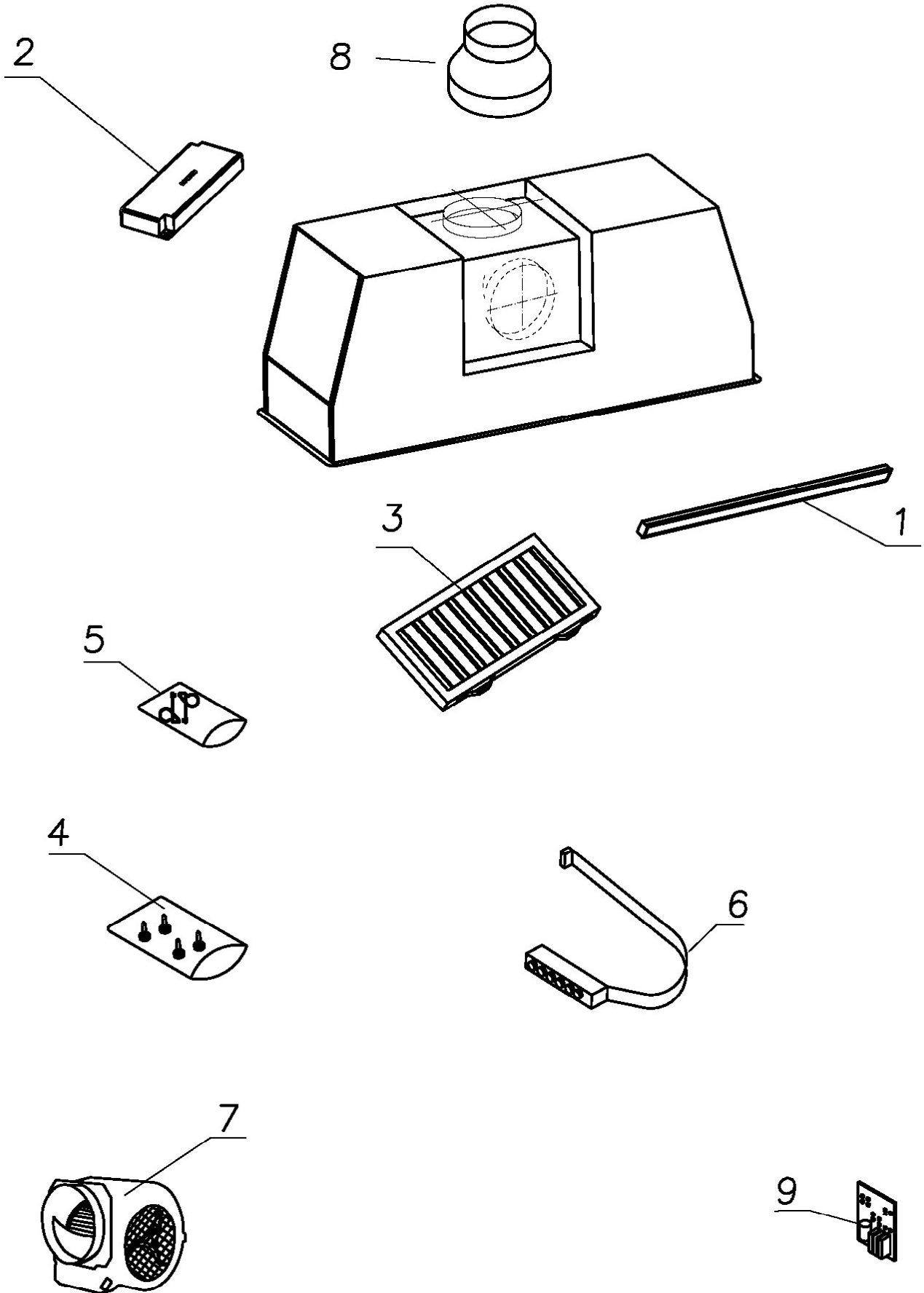


Technical information



ST852

Caple Storm 852 Built Under Hood





ST852 - Caple Storm 852 B-Under Hood

Item	Part Code	Description	Qty
1	75010515012	LED STRIP 10 W	1
2	75007026320	TRANSFORMER DC 12V EFU 122320	1
3	75071906850	STAINLESS STEEL BUFFLER FILTER S906 850	1
4	75042906181	BUILT-IN HOOD ACCESSORIES	1
5	75042906095	SPRING	1
6	75042906167	CHROMED VERTICAL BUTTONS	1
7	75061500999	PLASTIC MOTOR 800 E. LA.	1
8	75070404028	REDUCTION FLANGE 150/125	1
9	75085404041	MAIN PRINT EL SL/E	1