

Instruction manual for built-under hood

Model code: ST851, ST521



Environmental protection



The symbol on the product or on its packaging indicates that this product may not be treated as household waste. Instead it shall be handed over to the applicable collection point for the recycling of electrical and electronic equipment. By ensuring this product is disposed of correctly, you will help prevent potential negative consequences for the environment and human health, which could otherwise be caused by inappropriate waste handling of this product. For more detailed information about recycling of this product, please contact your local city office, your household waste disposal service or the shop where you purchased the product. This appliance is marked according to the European directive 2002/96/EC on waste electrical and electronic equipment (WEEE).

CE Declarations of Conformity



This appliance has been manufactured to the strictest standards and complies with all applicable legislation, Low Voltage Directive (LVD) and Electromagnetic Compatibility Directive (EMC).

Contents

Warnings	5
Extraction methods	5
Installation	5
Control panel	6
Maintenance	6
Dimensions	10


Warnings

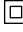
- The cooker hood should be placed at a minimum distance of 65–76cm above the hob. It is the manufacturer of the hob who determines the clearance required and the clearance quoted by the hob manufacturer must be followed. In the absence of any instructions supplied with a gas hob the minimum distance between the hob and the hood must be at least 760mm.

- The air must not be discharged into a flue that is used for exhausting fumes from appliances burning gas or other fuels (eg. central heating systems, water heaters). Regulations concerning the discharge of air have to be conformed to.

- Remove any protective PVC film from the stainless steel before use.

- Provide the room with adequate ventilation when a cooker hood and appliances fed by energy other than electric power (gas, oil, or coal stoves, etc.) are used simultaneously. The cooker hood, when evacuating the extracted air could generate a negative pressure in the room which must not exceed the limit of 0.04 mbar, in order to avoid the suck of exhausts deriving from the heat source. Therefore the room should be provided with air intakes to allow a constant flow of fresh air.

If the rating label in the cooker hood **shows** the symbol , the appliance is built in class II° and it does not need any earth connection.

If the rating label in the cooker hood **does not** show the symbol , the appliance is built in class I° and it **needs** the earth connection.

- When performing the electrical connections on the appliance, please make sure that the current tap is provided with earth connection and that voltage values correspond to those indicated on the label placed inside the appliance itself.

- Before carrying out any cleaning or maintenance operations, the appliance needs to be disconnected from the electric supply. Remove the plug from the mains, if the appliance is not provided with a flexible cable and plug, disconnect with another device ensuring omnipolar disconnection from the

grid, with an opening distance between the contacts of at least 3 mm, then such disconnecting devices must be supplied within the fixed installation.

If the fixed appliance is fitted with a supply cord and a plug, the appliance has to be put in a place where the plug can be reached easily.

- The use of materials which can burst into flames should be avoided in close proximity of the appliance. When frying, please pay particular attention to fire risks due to oil grease, being highly inflammable, fried oil is especially dangerous. Do not use uncovered electric grills. In order to avoid possible fire risks, all instructions for grease filter cleaning and for removing eventual grease deposits should be strictly followed.

Extraction methods

The appliance is setup for both recirculating and for ducted installations:

- In its **recirculated setup** (Fig.1), the air and fumes conveyed by the appliance are cleaned both by a grease filter and by an active charcoal filter, and expelled back into circulation through the hole made in the top of the cabinet.

- In its **ducted setup** (Fig.2), fumes are directly conveyed outside, through an evacuation duct connected with through the wall or the ceiling. Both the charcoal filters and air deflector are not required for this setup.

Installation

- Before installing the appliance, in order not to damage the appliance itself, the metal grease filter should be removed. These filters can be removed by pushing the handles towards the back side of the cooker hood and pulling downwards to unfasten it from its slot. (Fig.3).

Essential precautions to respect before installing the appliance are below:

- Make a cut-out in the bottom of the cabinet which is suitable to hold the appliance in position (see fig.4).
- Prepare the power supply.
- Prepare a hole for the exhaust of the air, this is both for the recirculated and in the ducted installation.

Before installing the appliance, make sure that none of the parts are damaged in any way. In case of any damaged parts, please contact your retailer and do not proceed with installation.

Read all of the following instructions with care before installing the appliance.

- Use an air outlet pipe of the shortest possible length.
- Limit the number of pipe bends.
- Use a material approved by standards and regulations.
- Avoid any sudden changes in pipe section.
- The recommended constant ducting diameter is 150mm/200 mm (or equal surface area). Do not use less than 150mm ducting.

To install the appliance, adjust the position of the stop side-springs using the appropriate screws (fig.5), according to the thickness of the board previously drilled, on which the appliance will be fixed.

Insert the built-in unit in the hole made in the cabinet until the stop click of the side springs is heard and the built-in unit is locked. Insert the screws provided in the holes inside the appliance (fig.6) to fully lock it in position.

Refit the grease filter/s

Ensure the stop valve is not blocked and can freely move.

Warning!

Before connecting the flexible exhausting pipe to the motor, make sure the stop valve, which is on the air outlet of the motor, can swing and is not blocked.

Ducted install

Connect the flange to the exhausting hole with an appropriate pipe. Connect the appliance to the electrical mains with the supply cord.

Recirculated install

Connect the flange with a pipe suitable to

convey the air to the top of the cabinet. Connect the appliance to the electrical mains with the supply cord.

Control panel

Refer to (Fig. 9)

- A: Light switch on/off
- B: Motor switch on speed 1/off C: Motor switch on speed 2
- D: Motor switch on speed 3
- E: Motor switch on speed 4
- F: 10-minutes timer

Maintenance

- An accurate maintenance helps guarantee good functioning and long-lasting performance.

- Particular care is required for the grease filter panel. It can be removed by pushing its handle toward the back-side of the cooker hood and pulling the filter downwards to unfasten it from its slot (Fig.3).

To insert the filter just perform the opposite operation.

After 30 hours working, the push button control panel will signal the saturation of the grease filter by illuminating all the buttons. Press the timer button to reset ⊕.

The grease filter needs cleaning by regular hand-washing or in your dishwasher at least every two months or more depending on its use.

- In case the appliance is used in its recirculating mode, the active charcoal filter (Fig.7) needs to be periodically replaced. The charcoal filter can be removed by removing the grease filter first (Fig.3), and by pulling its special plastic tongue until it is unfastened from its slot. Re-insert the charcoal filter by operating in the opposite way.

The charcoal filter needs replacing depending on the use, but at least every six months.

How to remove the oil tank

- After having removed the grease filters and eventually the charcoal filters, please hold the oil tank up by one hand and loosen the three handles by the other hand as showed in (fig.8). Then let the tank slide downwards taking care in order to avoid spilling any oil.

How to clean the extractor

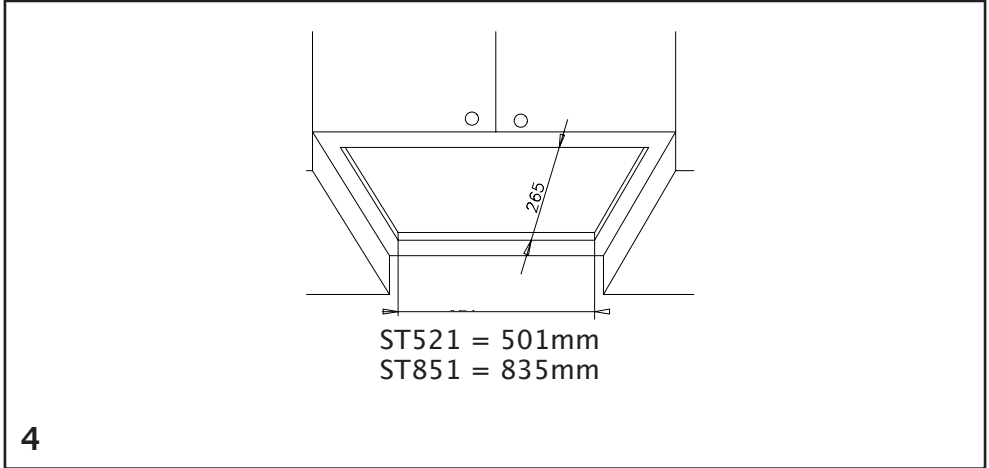
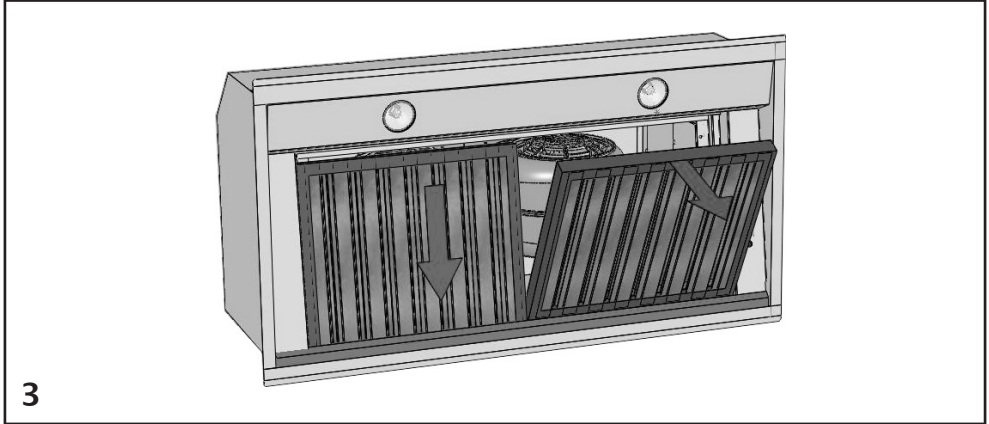
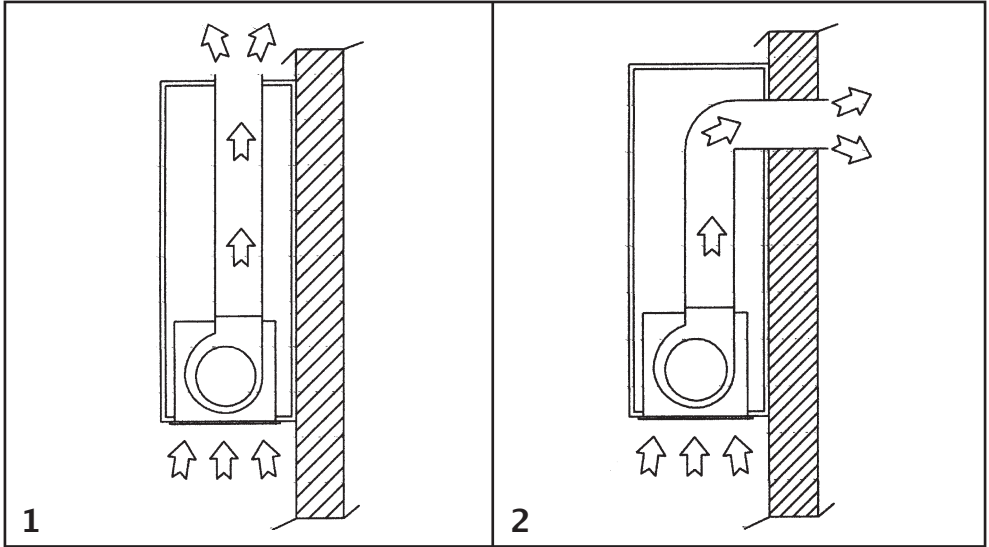
- To clean the appliance itself tepid water and neutral detergents are recommended, abrasive products should be avoided to prevent damage to the finish. For steel parts specialised detergents can be used (please follow the instructions indicated on the product itself to obtain the desired results).

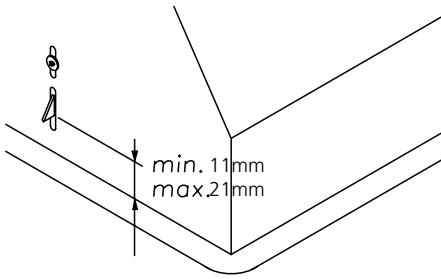
- **Warning!** To uninstall the appliance from the cabinet, remove the fixing screws (fig. 6) using a screwdriver, then remove the grease filters (fig.3) and the charcoal filters if they have been fitted (fig. 7). Push on the small handle of the springs, which are inside the built-in unit, with the necessary force to unhook the appliance from the cabinet.

* NOTE: If the supply cord is damaged, it must be replaced by the manufacturer, its service agent or a similarly qualified person in order to avoid a hazard. Contact Caple Service on 0844 800 3830 or email service@caple.co.uk

Replacement of the LED light bar:

Disconnect the extractor from the electrical supply. Using an appropriate tool, remove the LED bar from its seat (refer to Fig. 10), disconnect it from the appliance using the appropriate connector then substitute it with a LED bar with same characteristics and install the light bar back into its seat .

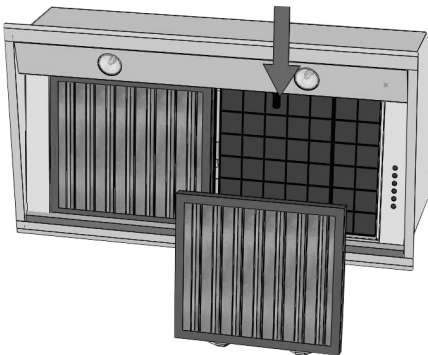




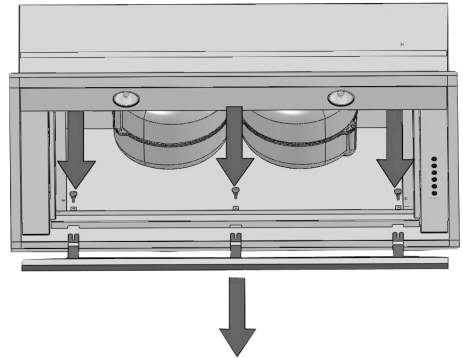
5



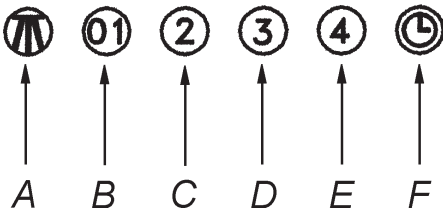
6



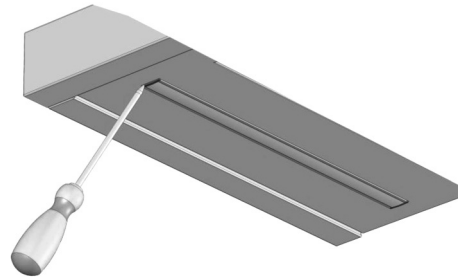
7



8

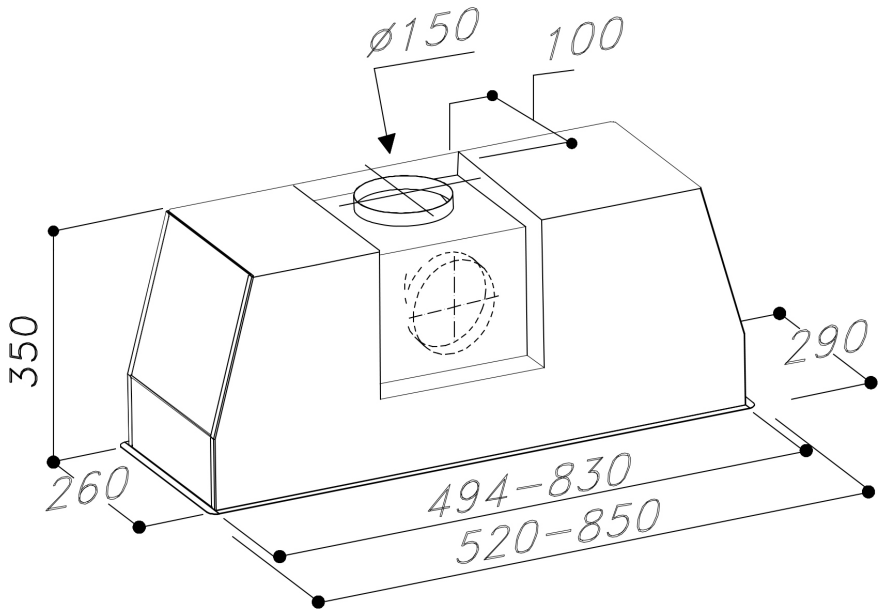


9



10

Dimensions



Caple
Fourthway
Avonmouth
Bristol
BS11 8DW
www.caple.co.uk