



ST850

Caple Storm 850 Built Under Hood



Technical information

New product information sheet

Product name: Storm

Description: Built-under hood

Product code: ST850SS



Features and benefits:

- Stainless steel
- Max. extraction 800m³/h
- Push button controls
- 2 x 20W dichroic lamps
- 4 speeds plus delay-off timer
- Max. noise level 59dB(A)
- Commercial style stainless steel baffle filters

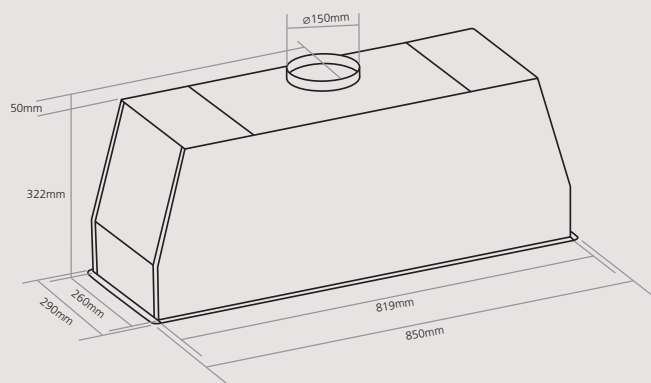
Key selling feature:

Most built-under hoods are positioned at the lower end of the market, offering a cheaper solution to wall or chimney hoods. Storm however, is a professional high performance built-under hood specifically designed for premier kitchens. It is aimed at consumers who want a discrete hood that doesn't disrupt the lines of their kitchen but which also delivers on performance. Storm boasts an impressive maximum extraction of 800m³/h.

Dimensions: Height 372mm, Width 850mm, Depth 290mm

Optional extras: Recirculation filter CAP42CF £10 (2 required)

Installation:

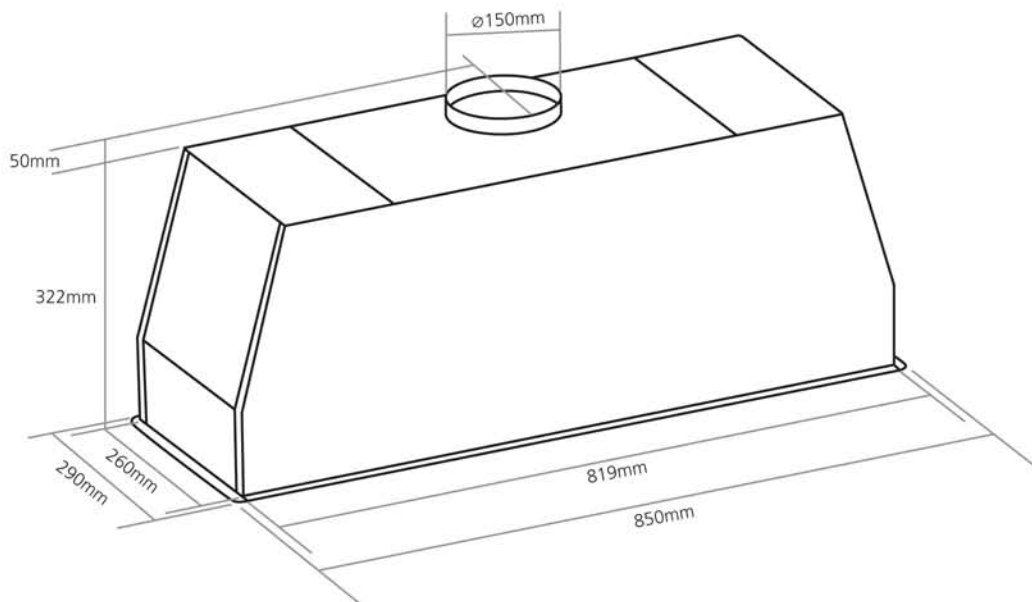


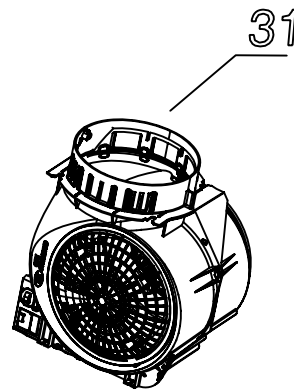
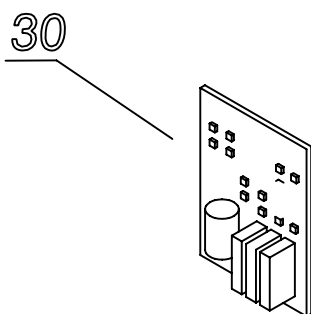
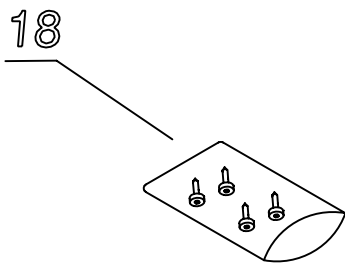
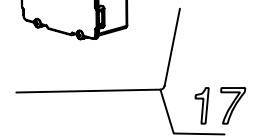
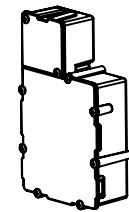
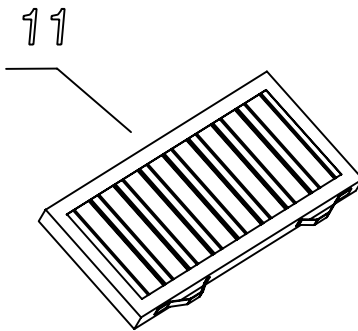
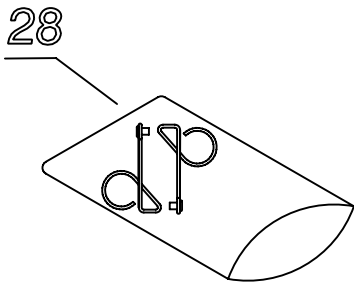
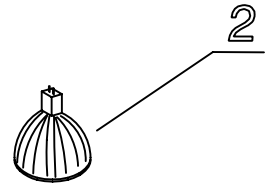
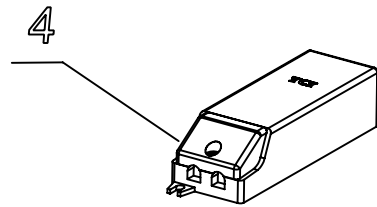
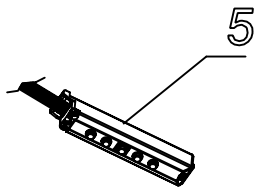
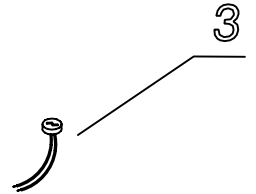
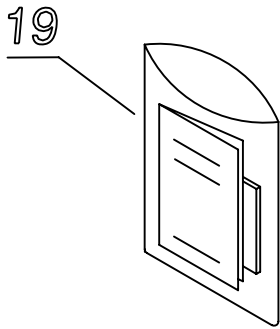
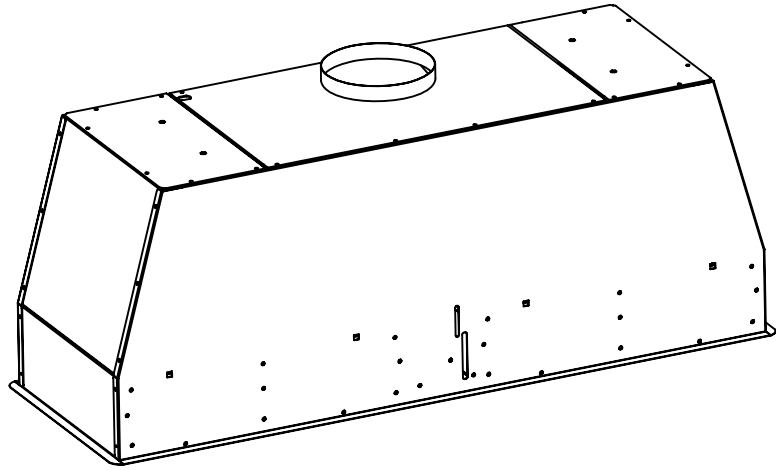
Pricing: (trade ex VAT) £239

Launch date: 1st June 2008

Product installation diagrams

Model:
ST850SS







ST850 - Caple Storm 850 Built Under Hood

Item	Part Code	Description	Qty
2	42013299999	DICHROIC LAMP D35 20 W	1
3	60167999999	SUPPORT FOR DICHROIC LAMPS	1
4	42030099999	TRANSFORMER 20/105 W	1
5	77041639999	CONTROL BOX SET FOR SL1/3/4/5	1
11	60088999999	INOX FILTER	1
17	75071439999	WIRING BOX SET	1
18	77008199999	ACCESSORIES BAG FOR BUIL-IN	1
19	90001100120	INSTRUCTION SET	1
28	77009599999	SPRINGS FOR BUILT-IN COOKER-HOODS	1
30	44000419999	WIRING BOARD TYPE SL/E	1
31	75061509999	MOTOR GPZ900	1



ST850

Cable Storm 850 Built Under Hood

