



Instruction manual for built-under hood

Model code: ST852, ST522



Environmental protection



The symbol on the product or on its packaging indicates that this product may not be treated as household waste. Instead it shall be handed over to the applicable collection point for the recycling of electrical and electronic equipment. By ensuring this product is disposed of correctly, you will help prevent potential negative consequences for the environment and human health, which could otherwise be caused by inappropriate waste handling of this product. For more detailed information about recycling of this product, please contact your local city office, your household waste disposal service or the shop where you purchased the product. This appliance is marked according to the European directive 2002/96/EC on waste electrical and electronic equipment (WEEE).

CE Declarations of Conformity



This appliance has been manufactured to the strictest standards and complies with all applicable legislation, Low Voltage Directive (LVD) and Electromagnetic Compatibility Directive (EMC).

Contents

Warnings	5
Extraction methods	5
Installation	5
Control panel	6
Maintenance	7
Dimensions	10


Warnings


- The cooker hood should be placed at a minimum distance of 65~76cm above the hob. It is the manufacturer of the hob who determines the clearance required and the clearance quoted by the hob manufacturer must be followed. In the absence of any instructions supplied with a gas hob the minimum distance between the hob and the hood must be at least 760mm.

- The air must not be discharged into a flue that is used for exhausting fumes from appliances burning gas or other fuels (eg. central heating systems, water heaters). Regulations concerning the discharge of air have to be conformed to.

- Remove any protective PVC film from the stainless steel before use.

- Provide the room with adequate ventilation when a cooker hood and appliances fed by energy other than electric power (gas, oil, or coal stoves, etc.) are used simultaneously. The cooker hood, when evacuating the extracted air could generate a negative pressure in the room which must not exceed the limit of 0.04 mbar, in order to avoid the suck of exhausts deriving from the heat source. Therefore the room should be provided with air intakes to allow a constant flow of fresh air.

If the rating label in the cooker hood **shows** the symbol , the appliance is built in class II° and it does not need any earth connection.

If the rating label in the cooker hood **does not** show the symbol , the appliance is built in class I° and it **needs** the earth connection.

- When performing the electrical connections on the appliance, please make sure that the current tap is provided with earth connection and that voltage values correspond to those indicated on the label placed inside the appliance itself.

- Before carrying out any cleaning or maintenance operations, the appliance needs to be disconnected from the electric supply. Remove the plug from the mains, if the appliance is not provided with a flexible cable and plug, disconnect with another device ensuring omnipolar disconnection from the grid, with an opening distance between

the contacts of at least 3 mm, then such disconnecting devices must be supplied within the fixed installation.

If the fixed appliance is fitted with a supply cord and a plug, the appliance has to be put in a place where the plug can be reached easily.

- The use of materials which can burst into flames should be avoided in close proximity of the appliance. When frying, please pay particular attention to fire risks due to oil grease, being highly inflammable, fried oil is especially dangerous. Do not use uncovered electric grills. In order to avoid possible fire risks, all instructions for grease filter cleaning and for removing eventual grease deposits should be strictly followed.

Extraction methods

The appliance is setup for both recirculating and for ducted installations:

- In its **recirculated setup** (Fig.1), the air and fumes conveyed by the appliance are cleaned both by a grease filter and by an active charcoal filter, and expelled back into circulation through the hole made in the top of the cabinet.

- In its **ducted setup** (Fig.2), fumes are directly conveyed outside, through an evacuation duct connected with through the wall or the ceiling. Both the charcoal filters and air deflector are not required for this setup.

Installation SL906

- Before installing the appliance, make sure that none of the parts is damaged in any way. In case of damaged parts, contact your retailer and do not proceed with installation. Read all of the following instructions with care before installing the appliance.

The LED bar of the range hood are supplied in the packaging, and you need to assemble them at the end of the installation.

- Before installing the appliance, remove the metal grease filter and the oil collector. This filter could be removed by pushing the handles towards the back side of the cooker hood and turning it downwards to unfasten it from its slot. (Pic. 3).

To remove the oil collector, loosen the two screws as indicated in Pic.3/A.

To install the appliance please respect the following instructions.

The appliance must be installed by competent authorities. In order to do not damage the electronic parts of the appliance please do not use additional screws.

Essential precautions to respect before installing the appliance are the following:

- Prepare the power supply.
- Prepare a hole for the exhaust of the air both in the filtering and in the exhausting version.
- Use an exhausting pipe whose maximum length does not exceed 5 meters.
- Do not use screws to fix the outlet pipe to the cooker hoods.
- Limit the no. of elbows in the piping, since each elbow reduces the aspiration efficiency of 1 linear meter. (Ex.: if you use no. 2 x90 ° elbows, the length of piping must not exceed 3 meters)
- Avoid abrupt direction changes.
- Use a 150 mm or 200 mm constant diameter pipe for the whole length.
- Use piping approved by standards in force.
- In the units equipped with 2 motors please use a 200mm constant diameter pipe for the whole length.

To have made a cut-out on the bottom of the cabinet which is suitable to hold the appliance in position (Fig. 4).

SL906-L (600mm) 501x265mm,
SL906-L (850mm) 835x265mm,

Right now, after drilling the kitchen cabinet please follow carefully the instructions above, calibrate the fixing spring depending on the depth of cabinet. (Pic. 5).

If the range hood has a single motor, the pipe diameter must be 150mm. Otherwise if the range hood has two motors, the pipe diameter must be 200mm.

At this point, insert the range hood inside the kitchen cabinet until the fixed springs will be hooked into.

Fix the range hood to the cabinet, in the front and rear sides, using by the screws equipped.

To fix the hood on the rear side apply the screws on the holes of oil container as on pics indicated and fasten the screws. (Pic. 6 -7)

When the screws have been fastened, take the LED bar and connect the two pin connector (Pic. 8).

Insert the LED bar on the appropriate hole until it will be hooked into (Pic. 9).

At this point take the oil container and hook it on the appropriate hole of the hood. Please be careful not to scratch and damage the product. (Pic. 10).

Fix the oil container fixing the pommels of range hood (Pic. 11).

At the end, place the grease filters that were removed before (Pic. 12).

Warning!

Before connecting the flexible exhausting pipe to the motor, make sure the stop valve, which is on the air outlet of the motor, can swing and is not blocked.

Ducted install

Connect the flange to the exhausting hole with an appropriate pipe. Connect the appliance to the electrical mains with the supply cord.

Recirculated install

Connect the flange with a pipe suitable to convey the air to the top of the cabinet. Connect the appliance to the electrical mains with the supply cord.

Controll panel

Refer to (Fig. 13)

A: Light switch on/off
B: Motor switch on speed 1/off C:
Motor switch on speed 2 D: Motor
switch on speed 3 E: Motor switch
on speed 4 F: 10-minutes timer

TIMING

As a result of the new EU65 "Energy label" and EU66 "Ecodesign" regulations issued by the European Commission, which came into force as from January 1st, 2015, our products have been adapted to comply with these new requirements. All of the models complying with the energy label requirements, are equipped with new electronics including a timer device for suction speeds control, when the air capacity exceeds 650m³/h. Internal motor models, with maximum air capacity higher than 650m³/h, are equipped with a timer device that automatically switches the suction speed from 4th to 3rd speed, after 6 minutes operation. The energy consumption of the appliance in stand-by mode is lower than 0.5W.

Maintenance

- An accurate maintenance helps guarantee good functioning and long-lasting performance.

- Particular care is required for the grease filter panel. It can be removed by pushing its handle toward the back-side of the cooker hood and pulling the filter downwards to unfasten it from its slot (Fig. 3).

To insert the filter just perform the opposite operation.

After 30 hours working, the push button control panel will signal the saturation of the grease filter by illuminating all the buttons. Press the timer button to reset.

The grease filter needs cleaning by regular hand-washing or in your dishwasher at least every two months or more depending on its use.

- In case the appliance is used in its recirculating mode, the active charcoal filter (Fig. 14) needs to be periodically replaced. The charcoal filter can be removed by removing the grease filter first (Fig. 3), and by pulling its special plastic tongue until it is unfastened from its slot. Re-insert the charcoal filter by operating in the opposite way.

The charcoal filter needs replacing depending on the use, but at least every six months.

How to remove the oil tank

- After having removed the grease filters and eventually the charcoal filters, please hold the oil tank up by one hand and loosen the three handles by the other hand as showed in (fig. 3/A). Then let the tank slide downwards taking care in order to avoid spilling any oil.

How to clean the extractor

- To clean the appliance itself tepid water and neutral detergents are recommended, abrasive products should be avoided to prevent damage to the finish. For steel parts specialised detergents can be used (please follow the instructions indicated on the product itself to obtain the desired results).

- **Warning!** To uninstall the appliance from the cabinet, remove the fixing screws (fig. 6 end 7) using a screwdriver, then remove the grease filters (fig.3) and the charcoal filters if they have been fitted (fig. 14).

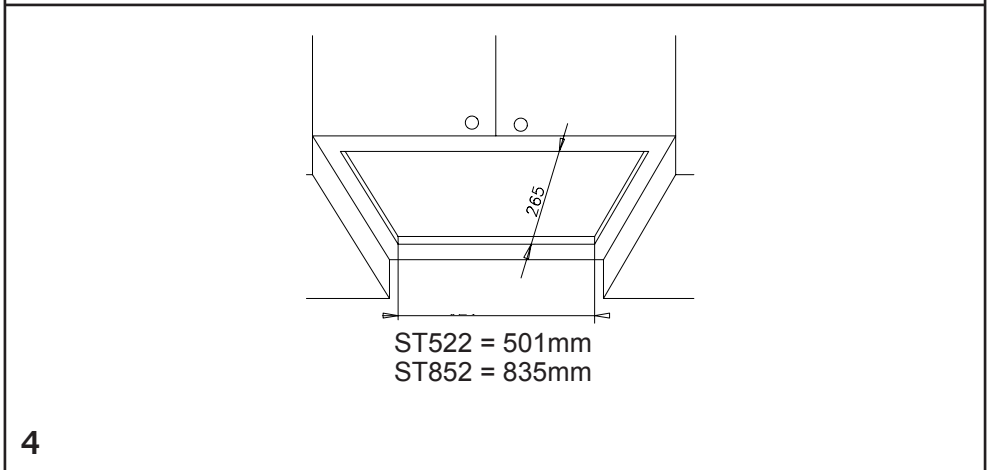
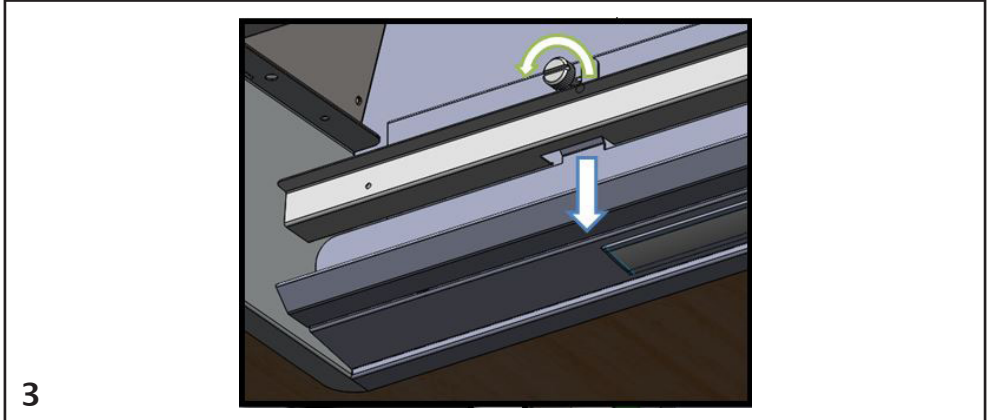
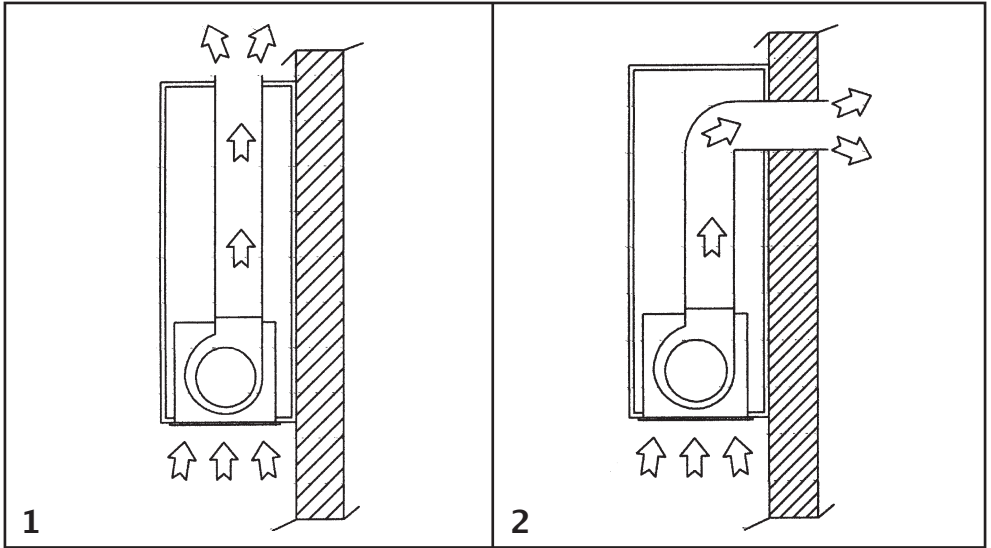
Push on the small handle of the springs, which are inside the built-in unit, with the necessary force to unhook the appliance from the cabinet.

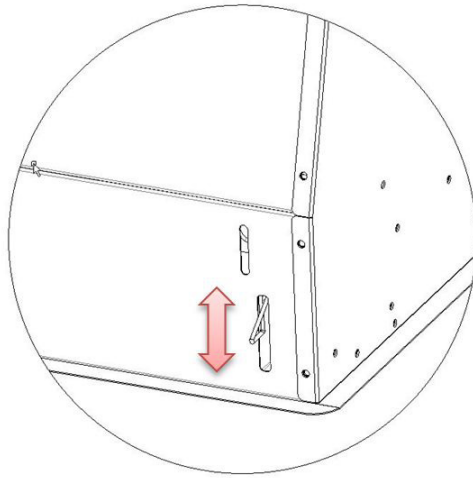
* NOTE: If the supply cord is damaged, it must be replaced by the manufacturer, its service agent or a similarly qualified person in order to avoid a hazard. Contact Caple Service on 0844 800 3830 or email service@caple.co.uk

Replacement of the LED light bar:

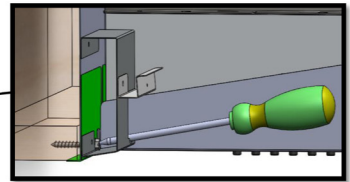
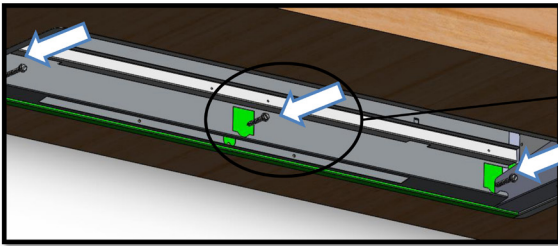
Disconnect the extractor from the electrical supply.

Using an appropriate tool, remove the LED bar from its seat (refer to Fig. 15), disconnect it from the appliance using the appropriate connector then substitute it with a LED bar with same characteristics and install the light bar back into its seat.

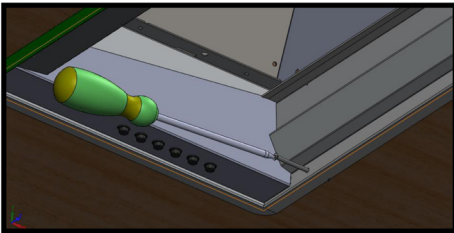




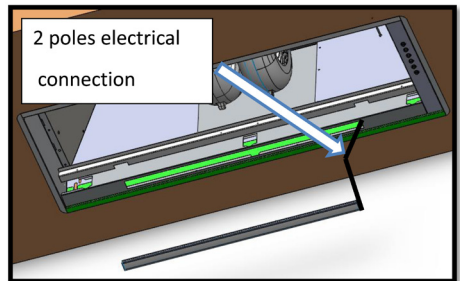
5



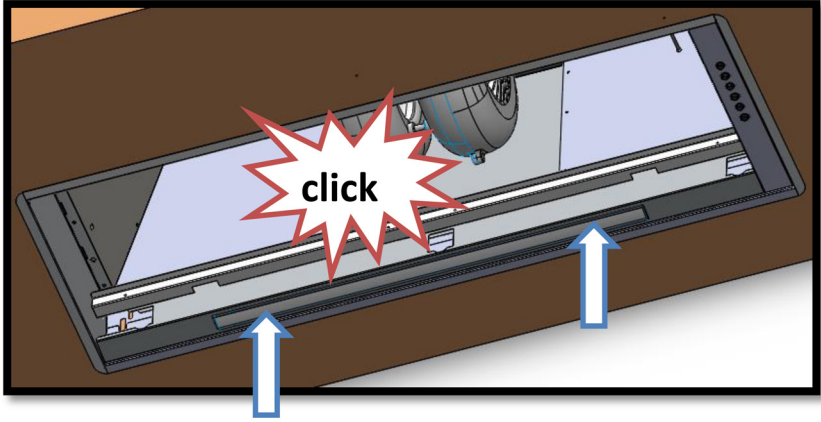
6



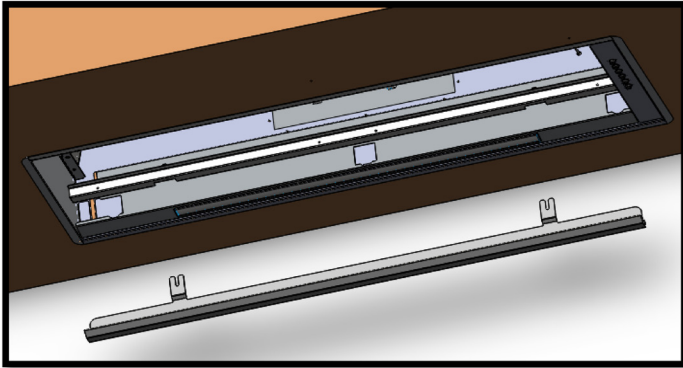
7



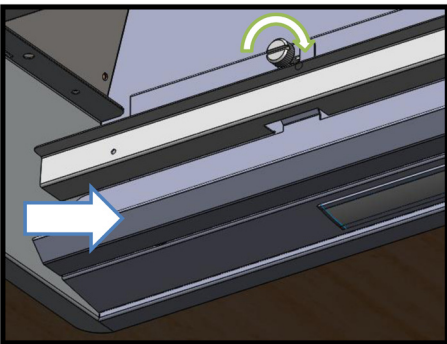
8



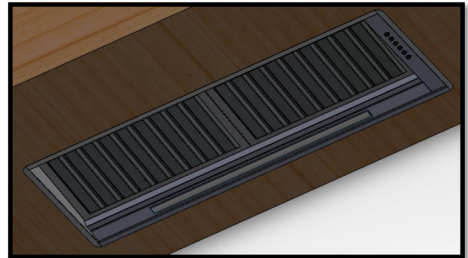
9



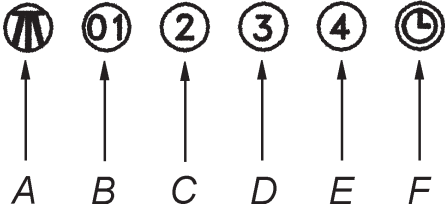
10



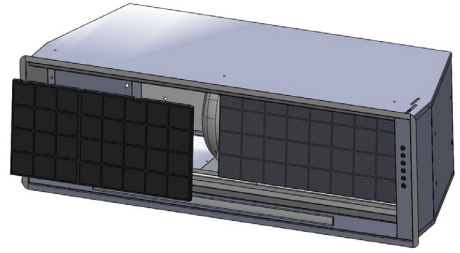
11



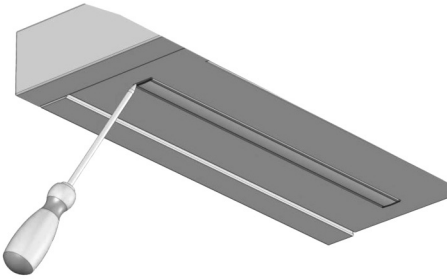
12



13

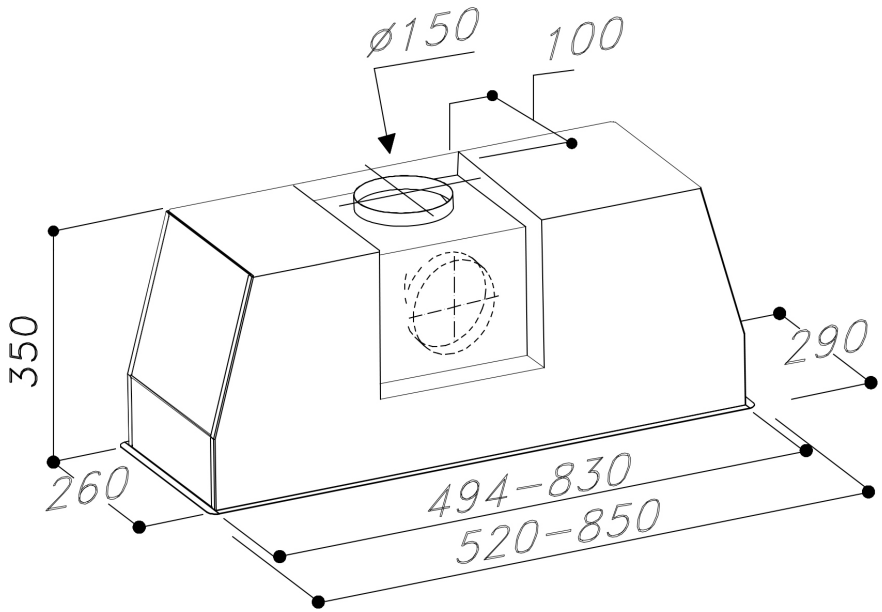


14



15

Dimensions



Caple
Fourthway
Avonmouth
Bristol
BS11 8DW
www.caple.co.uk