



ST520SS

Caple Storm 520 Built Under Hood



TECHNICAL INFORMATION



New product information sheet

Product name: Storm 520

Description: Built-under hood

Product code: ST520



Features

Width 520mm

Stainless steel

Push button controls

3 Speeds

4 x 20W halogen lamps

Recirculation kit available

Commercial style stainless steel baffle filters

Performance

Max. extraction 650m³/h

Max. noise level 52dB(A)

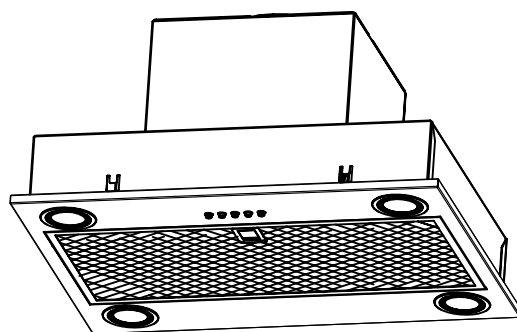
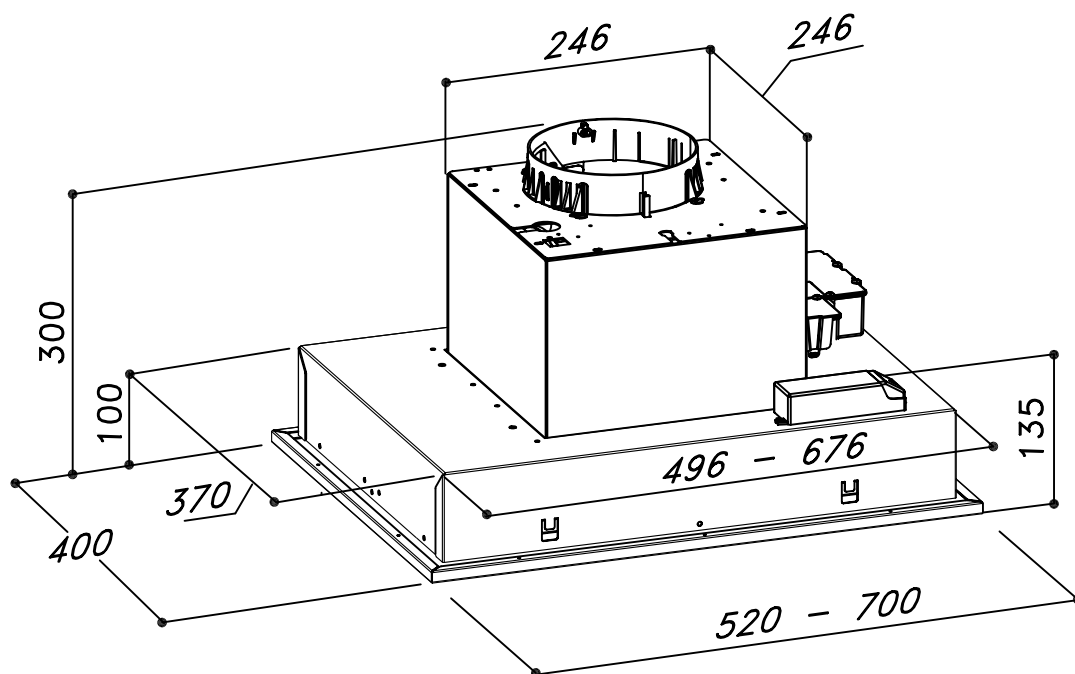
Optional extras

Recirculation kit CAP47CF (2 required)

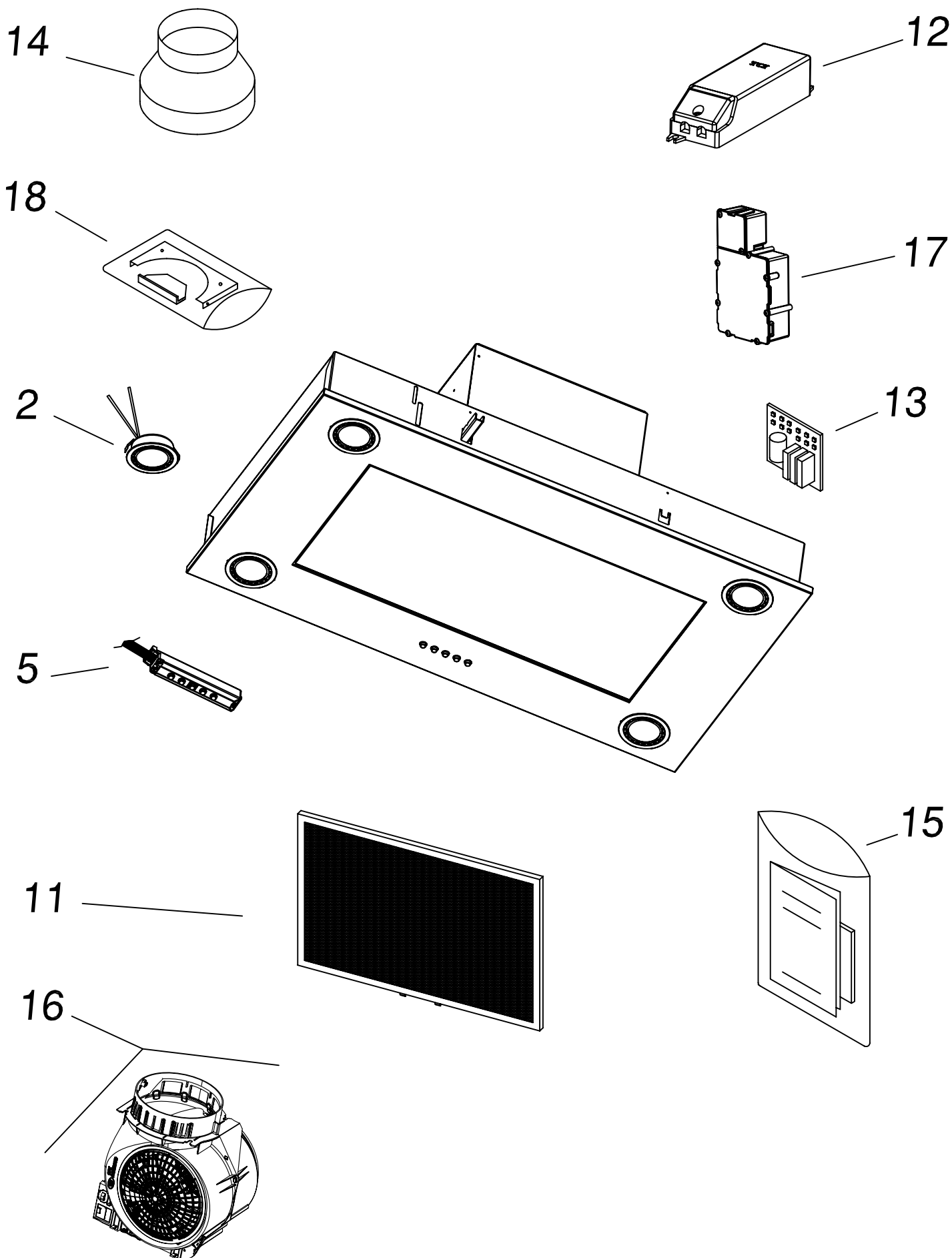
SM903

ST520SS

400x520
400x700



Rectangular opening: 500x375
Rectangular opening: 680x375



Articolo	Descrizione	Posiz.
42010099999	LAMPADA ALOGENA ZIK5 20 W	2
75061499999	ASS. R. G.A. GPZ 650	16
42030099999	TRASFORMATORE ELETTRONICO 20/105W	12
44000199999	BASETТА IMPIANTO ELETTRICO S	13
51071000399	FL. RID. 150/125 AE PDI-A028	14
60083999999	FILTRO ANT. 480X220 (4+1) LFI-A004	11
75071439999	ASS. R. SCAT. I.E.	17
77009030001	A.S.A. SL903	18
77043619999	ASS. SCAT. PULSANT. S6	5
90007013903	LIBR. ISTR. ST520SS SM903 CAPLE	15

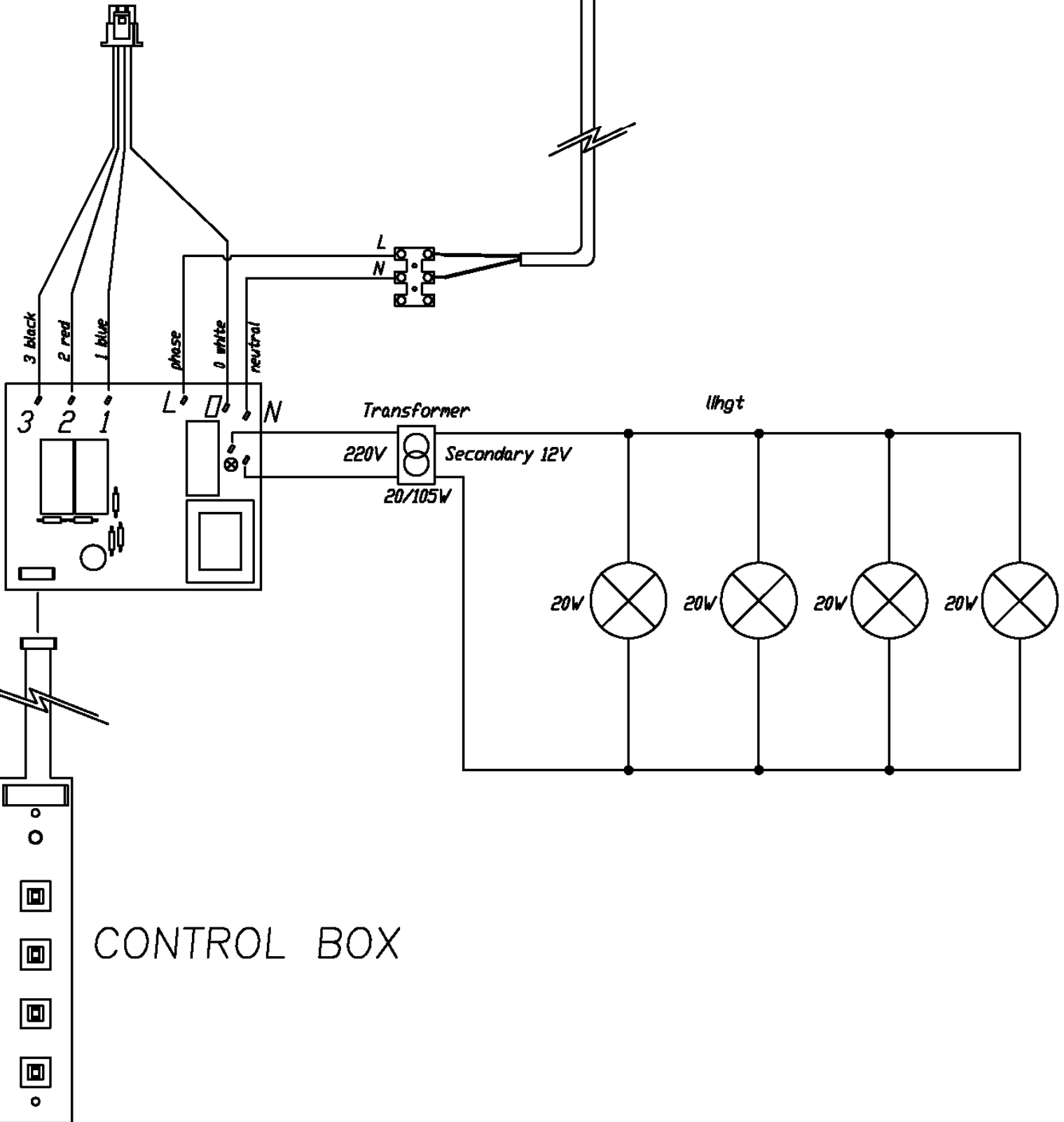
GPZ650



ST520SS

Cable Storm 520 Built Under Hood

220V - 50Hz



CONTROL BOX