



BU521

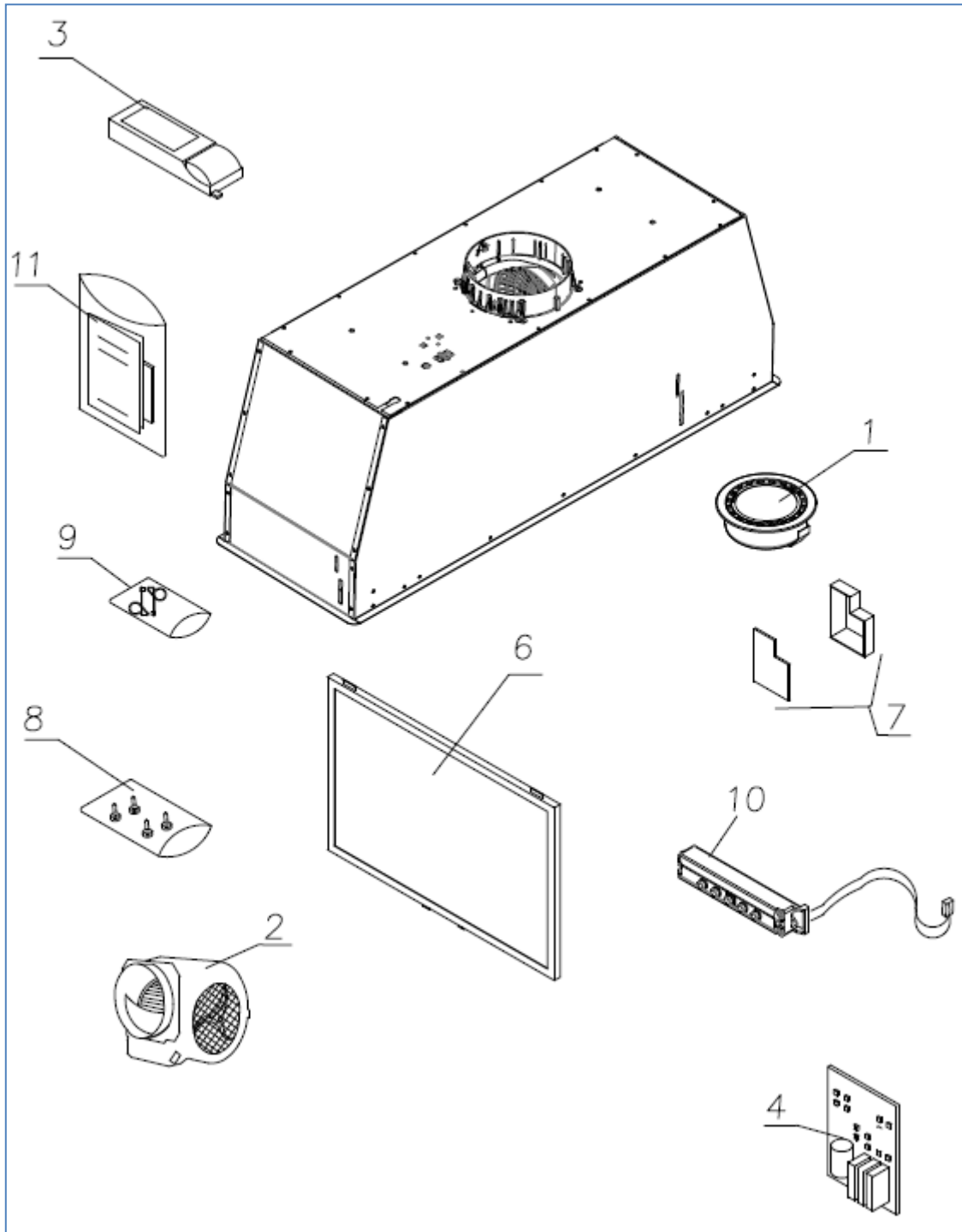
Caple 520 Built under hood



Technical information



BU521
Caple 520 Built Under Hood





BU521

Caple 520 Built Under Hood

Item	Part Number	Description	Quantity
1	75090552561	Round LED	1
2	75051007000	Motor	1
3	75090552330	LED transformer	1
4	75090552040	Main PCB	1
6	60080905017	Grease filter	1
7	75071439999	Wiring box set	1
8	77018199999	Accessories	1
9	77009599999	Spring	1
10	75090552361	Push button box	1
11	90001120521	Instruction manual	1