



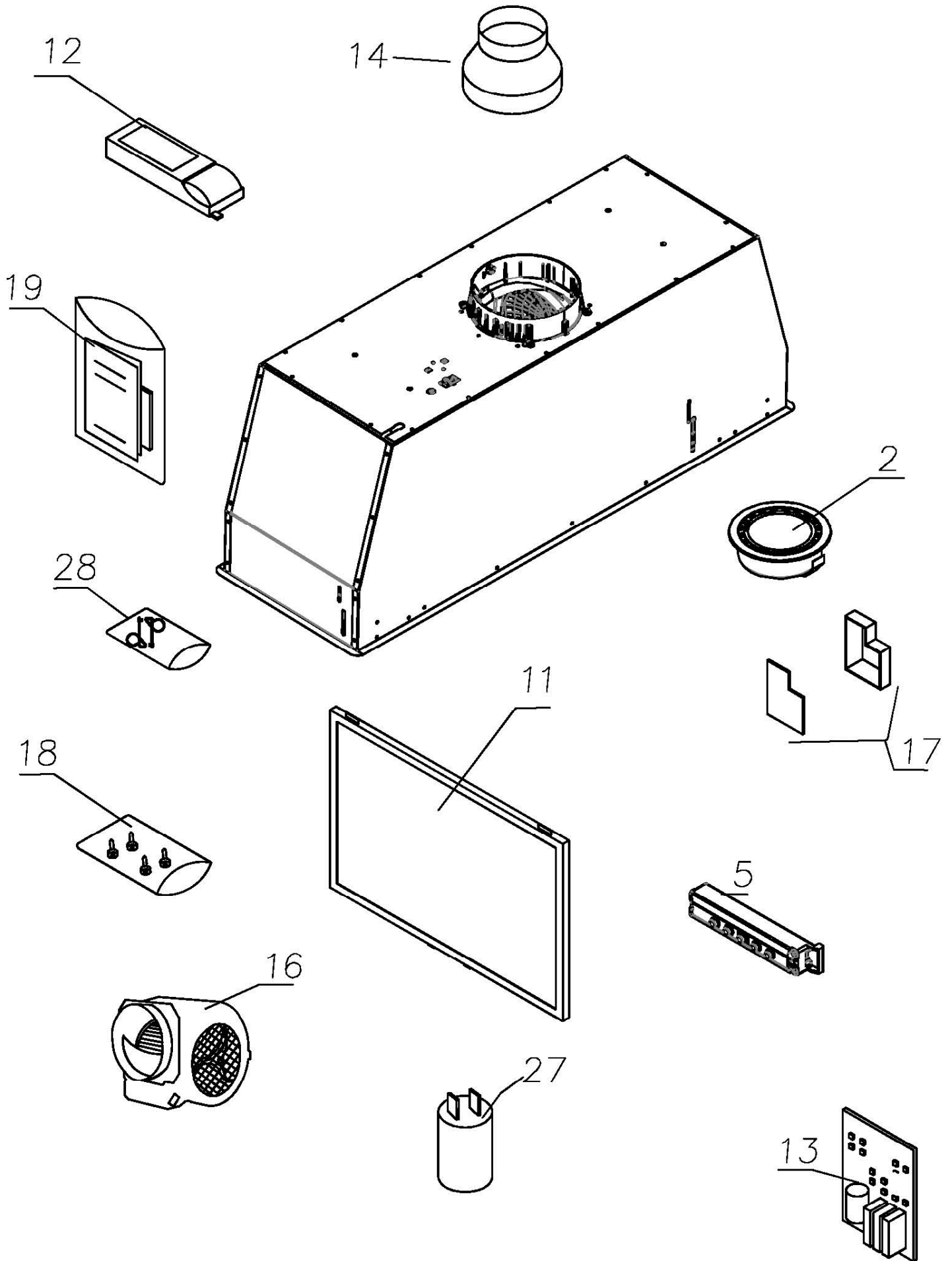
BU520

Caple 520 Built Under Hood

Instruction Manual

BU520

Caple 520 Built Under Hood





BU520 - Caple 520 Built Under Hood

Item	Part Code	Description	Qty
2	42010099999	HALOGEN LAMP 20 W	1
5	77043619999	CONTROL BOX SET FOR S6	1
11	60080905017	FILTRO ANTIGRASSO 338X223 (4+1) LFI-A017	1
12	42030099999	TRANSFORMER 20/105 W	1
13	44000199999	WIRING BOARD TYPE S	1
14	51071000399	REDUCTION FLANGE 150/125 AE	1
16	75061499999	MOTOR GROUP GPA650	1
17	75071439999	WIRING BOX SET	1
18	77008199999	ACCESSORIES BAG FOR BUIL-IN	1
19	90001120019	LIBR. ISTR. SM905 CAPLE	1
28	77009599999	SPRINGS FOR BUILT-IN COOKER-HOODS	1



BU520

Cable 520 Built Under Hood

