



Instruction manual for built-under hood

Model code: BU520



Environmental protection



The symbol on the product or on its packaging indicates that this product may not be treated as household waste. Instead it shall be handed over to the applicable collection point for the recycling of electrical and electronic equipment. By ensuring this product is disposed of correctly, you will help prevent potential negative consequences for the environment and human health, which could otherwise be caused by inappropriate waste handling of this product. For more detailed information about recycling of this product, please contact your local city office, your household waste disposal service or the shop where you purchased the product. This appliance is marked according to the European directive 2002/96/EC on waste electrical and electronic equipment (WEEE).

CE Declarations of Conformity



This appliance has been manufactured to the strictest standards and complies with all applicable legislation, Low Voltage Directive (LVD) and Electromagnetic Compatibility Directive (EMC).

CONTENTS

Warnings	5
Extraction method	5
Installation	6
Control panel	7
Maintenance	7
Dimensions	10

Warnings


* The appliance is not intended for use by young children or infirm persons without supervision. Young children should be supervised to ensure they do not play with the appliance.


* The hob surface and the lower part of the cooker hood must be at a minimum distance of 65cm, 76cm if installed above a gas hob. Always refer to the guidelines stated in the hob installation guide. If a greater distance is stated follow the hob details.

* The air extracted cannot be conveyed through or into a duct used to let out fumes from appliances powered by energy other than electricity (eg. gas, central heating, radiators, water heaters, etc.).

* To evacuate the air outlet, please comply with the pertaining rules given by competent authorities.

* Provide the room with an adequate aeration when a cooker hood and appliances fed by energy other than electric power (gas, oil, or coal stoves, etc.) are used simultaneously. The cooker hood, when evacuating the extracted air, could generate a negative pressure in the room which must not exceed the limit of 0.04 mbar, in order to avoid the suck of exhausts deriving from the heat source. Therefore the room should be provided with air intakes to allow a constant flow of fresh air.

If the rating label in the cooker hood shows the symbol , the appliance is built in class II° and it does not need an earth connection.

If the rating label in the cooker hood does not show the symbol , the appliance is built in class I° and it needs the earth connection.

* When performing the electrical connections on the appliance, please make sure that the current tap is provided with earth connection and that voltage values correspond to those indicated on the label placed inside the appliance itself.

* Before carrying out any cleaning or maintenance operations, the appliance needs to be removed from the electric grid. If the appliance is not provided with a non-separable flexible cable and plug, or with another device ensuring omnipolar disconnections from the grid, with an opening distance between the contacts of at least 3 mm, then such disconnecting devices must be supplied within the fixed installation.

If the fixed appliance is supplied with a supply cord and a plug, the appliance has to be put in a place where the plug can be reached easily.

* The use of materials which can burst into flames should be avoided in close proximity of the appliance. When frying, please pay particular attention to a fire risk due to oil grease being highly inflammable, fried oil is especially dangerous. Do not use uncovered electric grills. In order to avoid possible fire risk, all instructions for grease filter cleaning and for removing eventual grease deposits should be strictly followed.

Extraction method

The appliance is already produced both for filtering and for ducted installations.

* In its **filtering version** (Fig.1), the air and fumes conveyed by the appliance are cleaned both by a grease filter and by an active charcoal filter, it is then put back into circulation through the hole made on the top of the cabinet.

* In its **ducted version** (Fig.2), fumes are directly conveyed outside, through an evacuation duct connected through the external wall or the ceiling. Both the charcoal filter and air deflector are not necessary for this method.

Installation

Before installing the appliance, make sure that none of the parts are damaged in any way. In case of damaged parts, contact your retailer and do not proceed with installation. Read all of the following instructions with care before installing the appliance.

- Use an air outlet pipe of the shortest possible length.
- Limit the number of pipe bends.
- Use a material approved by standards and regulations.
- Avoid any sudden changes in pipe sections
- The recommended constant ducting diameter is 150 mm (or equal surface area).

* Before installing the appliance, in order not to damage the appliance itself, the metal grease filter should be removed. The filter can be removed by pushing the special filter handle toward the back side of the cooker hood and pulling it downwards so to unfasten it from its slot (Fig.3).

Essential precautions to respect before installing the appliance are the following:

- Make a cut-out in the bottom of the cabinet which is suitable to hold the appliance in position (fig.4).
- Prepare the power supply
- Prepare a hole for exhausting the air, both for the recirculated and ducted installation.

To install the appliance, adjust the position of the stop side-springs using the appropriate screws (fig.5), according to the thickness of the board previously drilled, on which the appliance will be fixed.

Insert the built-in unit into the hole made in the cabinet until the stop click of the side springs is heard and the built-in unit is locked in position. Insert the screws provided in the holes inside the appliance (fig.6) to lock it completely.

Unblocking of the stop valve

Warning!

Before connecting the flexible exhausting pipe to the motor, make sure the stop valve, which is on the air outlet of the motor, can swing freely.

Exhausting version

Connect the flange to the exhausting hole with an appropriate pipe. Connect the appliance to the electrical mains through the supply cord.

Filtering version (recirculating)

Connect the flange with a pipe suitable to convey the air to the top of the cabinet. Connect the appliance to the electrical mains supply through the supply cord.

Control panel

Referto (Fig. 9):

A: Light switch on/off

B: Motor switch - speed 1 / OFF

C: Motor switch - speed 2

D: Motor switch - speed 3

E: Warning light

Maintenance

* An accurate maintenance guarantees good functioning and long-lasting performance.

* Particular care is required for the grease filter panel. It can be removed by pushing its handle toward the back-side of the cooker hood and pulling the filter downwards to unfasten it from its slot (Fig.3).

To insert the filter just perform the opposite operation.

The grease filter needs cleaning by regular hand-washing or in your dishwashers at least every two months, this will vary depending on its use.

NOTE:If washing the grease filter in the dishwasher please was the separately to prevent food particles becoming trapped in the filter mesh.

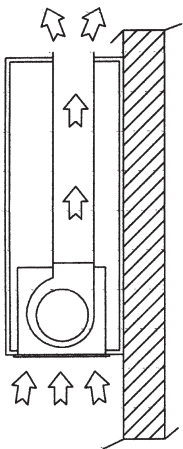
* If the hood is being used in the recirculation mode the active charcoal filter (Fig.7) needs to be periodically replaced. The charcoal filter can be removed by removing the grease filter first (Fig.3), and by pulling its special plastic tongue until it is unfastened from its slot. Re-insert the charcoal filter by operating in the opposite way. The charcoal filter needs replacing depending on the use, but at least every six months.

* To clean the appliance itself tepid water and neutral detergent is recommended, abrasive products should be avoided. For steel appliances specialized cleaning products can also be used (please follow the instructions indicated on the product itself to obtain the desired results).

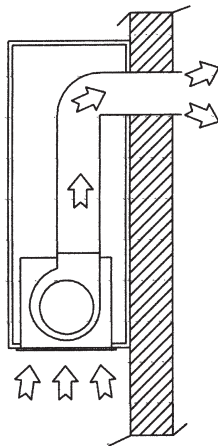
* To replace the **halogen lamps**, remove first the glass fixing ring (Fig.8-A), by levering with a screwdriver and thus removing the opaque glass (Fig.8-B), when performing this hold the glass carefully. Remove the lamp (Fig.8-C) without touching it with uncovered hands. Replace it with another lamp of the same kind, again not touching the glass bulb. After the replacement, re-insert the glass and fix the locking ring in place.

* **Warning!** To remove the appliance from the cabinet, remove the fixing screws (fig. 6) using a screwdriver, remove the grease filters (fig.3) and the active charcoal filters, if they have been inserted (fig. 7). Press on the small handle of the springs, which are inside the built-in unit, with the necessary strength to unhook the appliance from the cabinet.

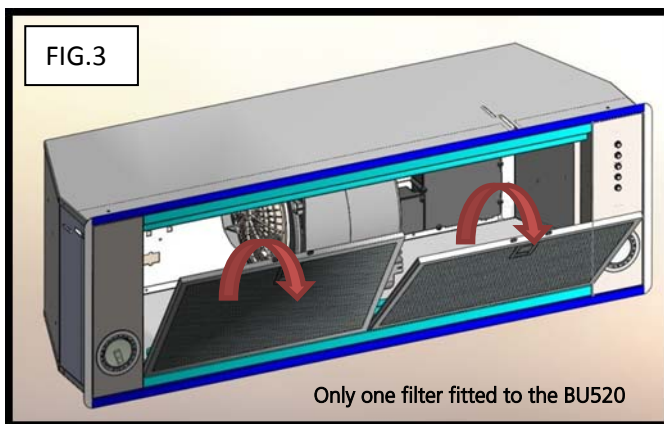
* If the supply cord is damaged, it must be replaced by the manufacturer or its service agent or a similarly qualified person in order to avoid a hazard. Contact Caple Service on 0844 800 3830 or by email service@caple.co.uk.



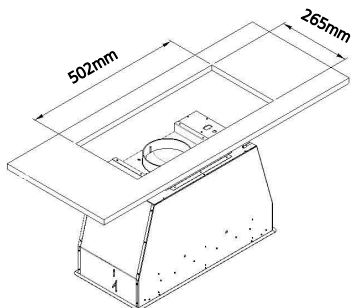
1



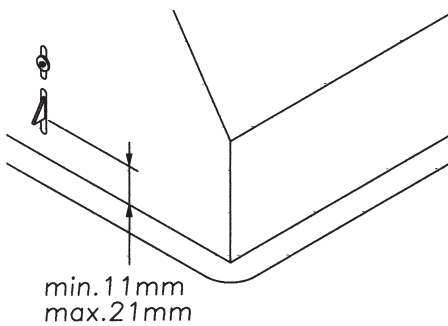
2



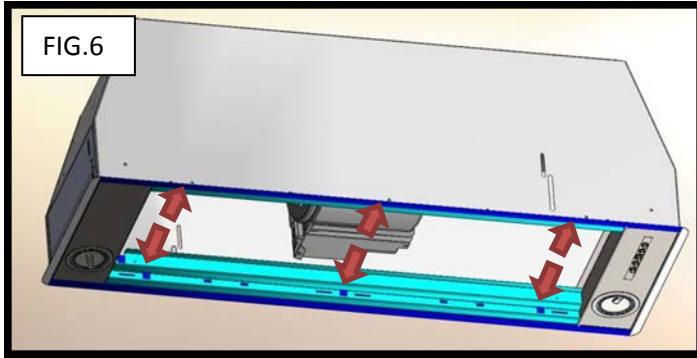
3



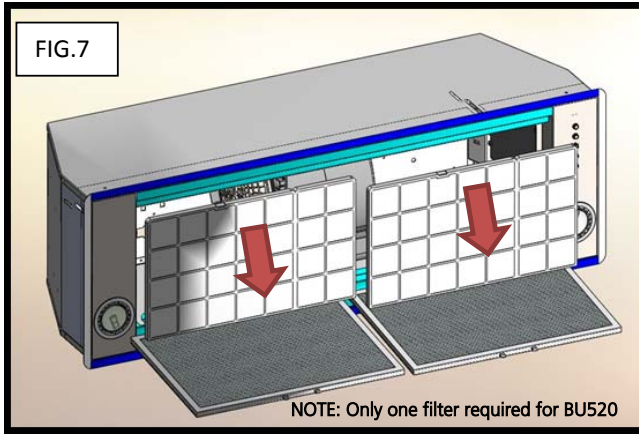
4



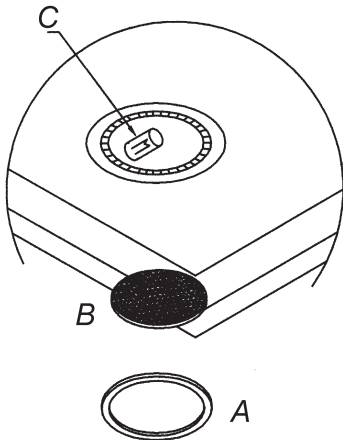
5



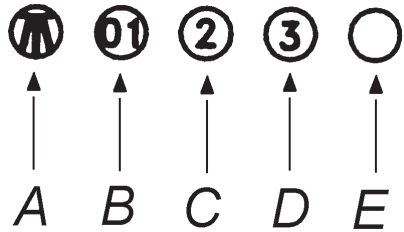
6



7

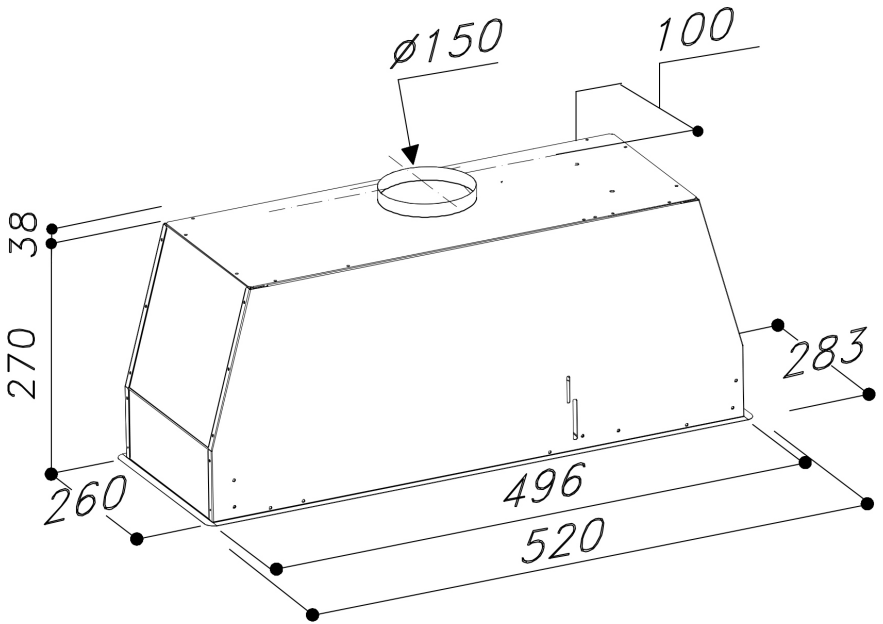


8



9

Dimensions



Caple
Fourth Way
Avonmouth
Bristol
BS11 8DW
www.caple.co.uk