

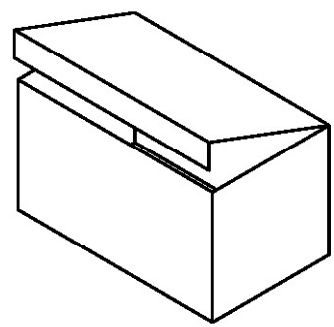
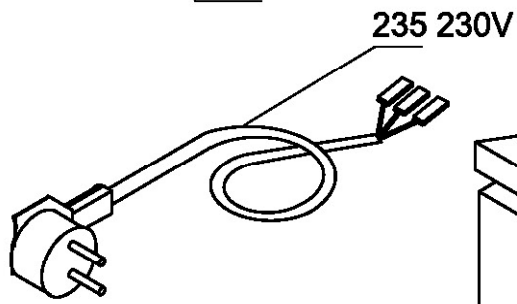
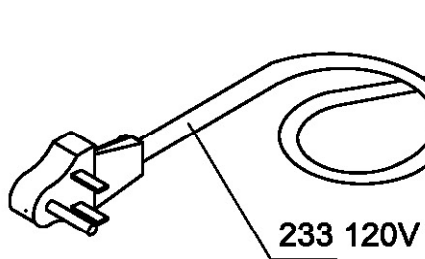
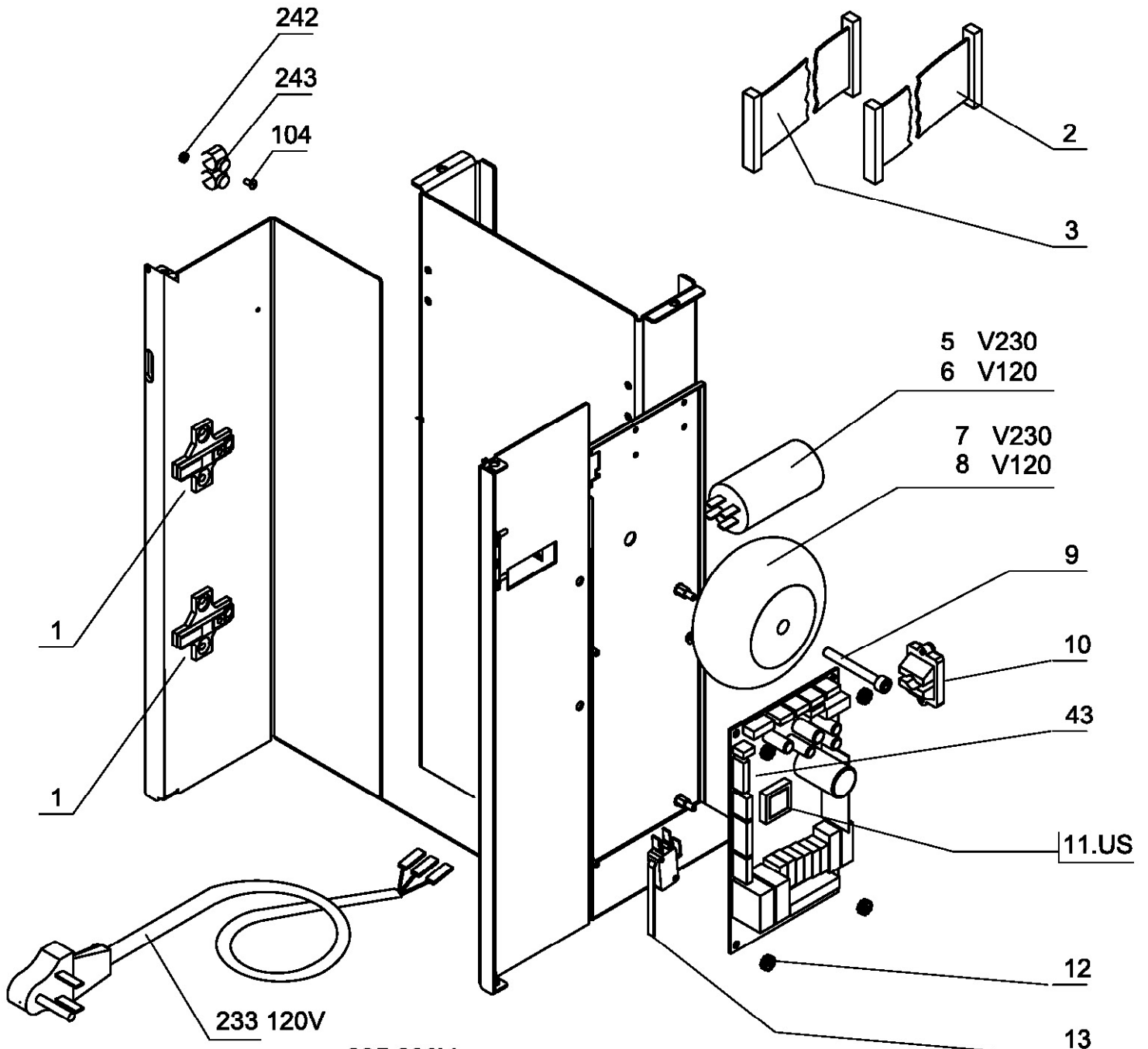


CM400FA

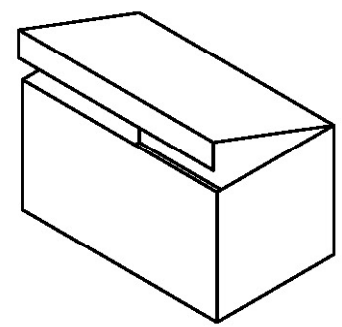
Fully Auto Built-In Coffee Machine
(with tank)



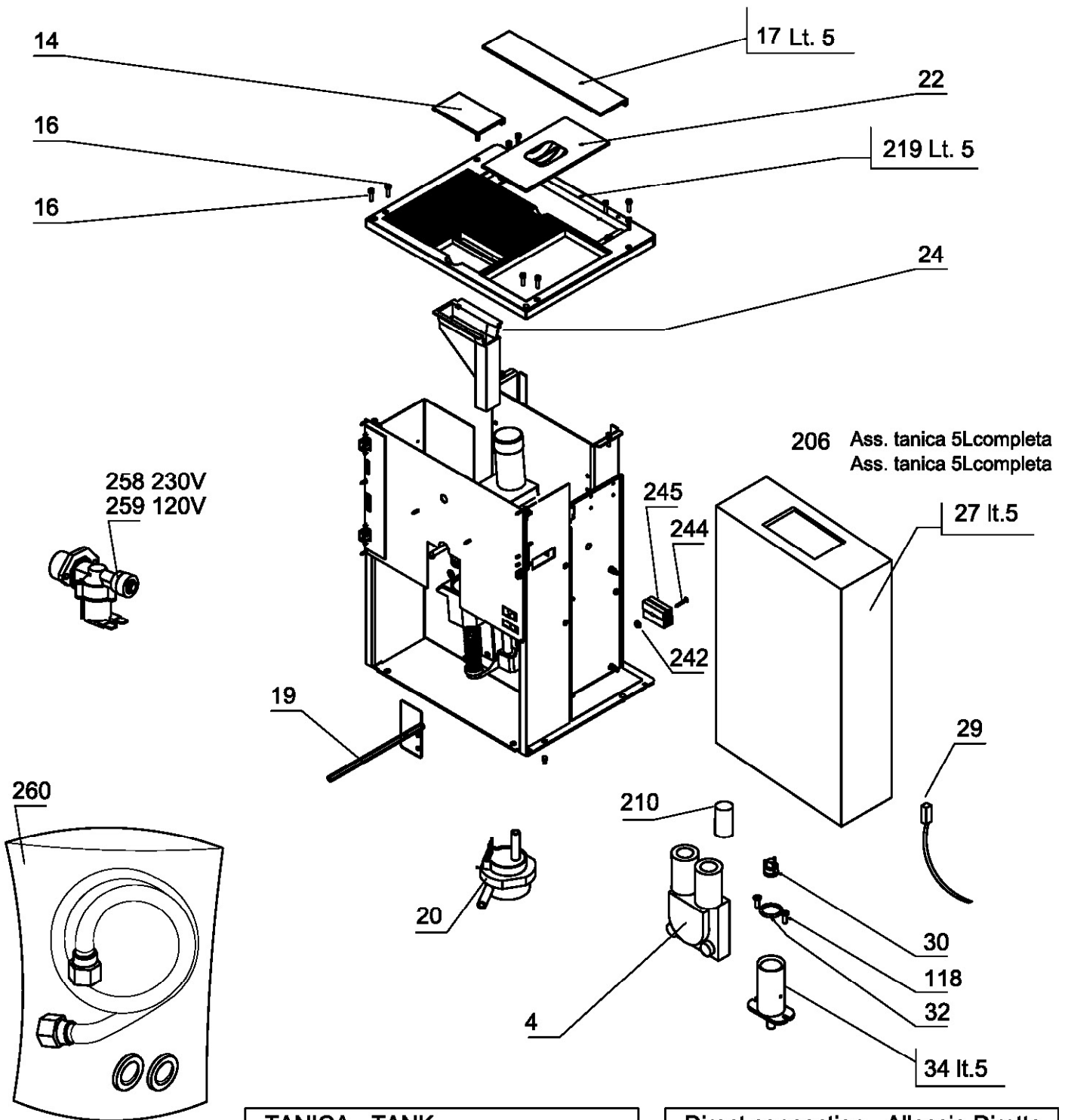
TECHNICAL INFORMATION



231
Accessories S-CM5 Tank
Accessori S-CM5 TANICA

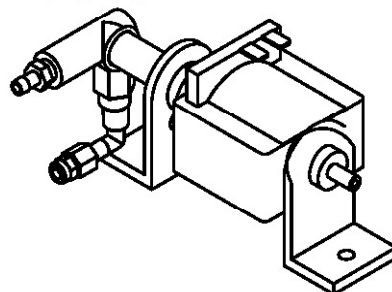


232
Accessories S-CM5
Direct connection
Accessori S-CM5 RETE



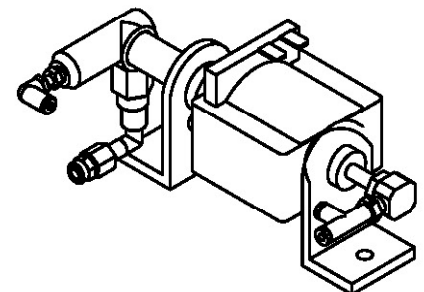
TANICA - TANK

- 215-Ass.R. pompa 120V
Pump group 120V
- 256-Ass.R. pompa 230V
Pump group 230V



Direct connection - Allaccio Diretto

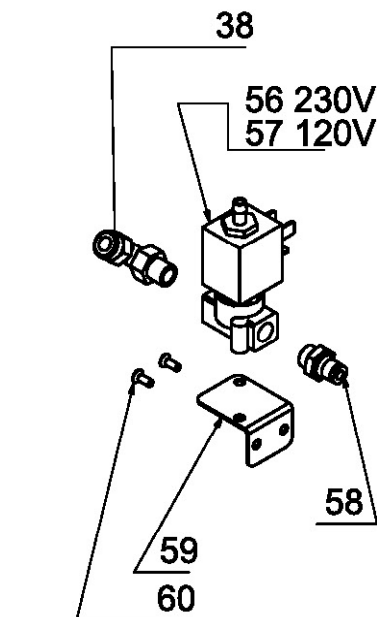
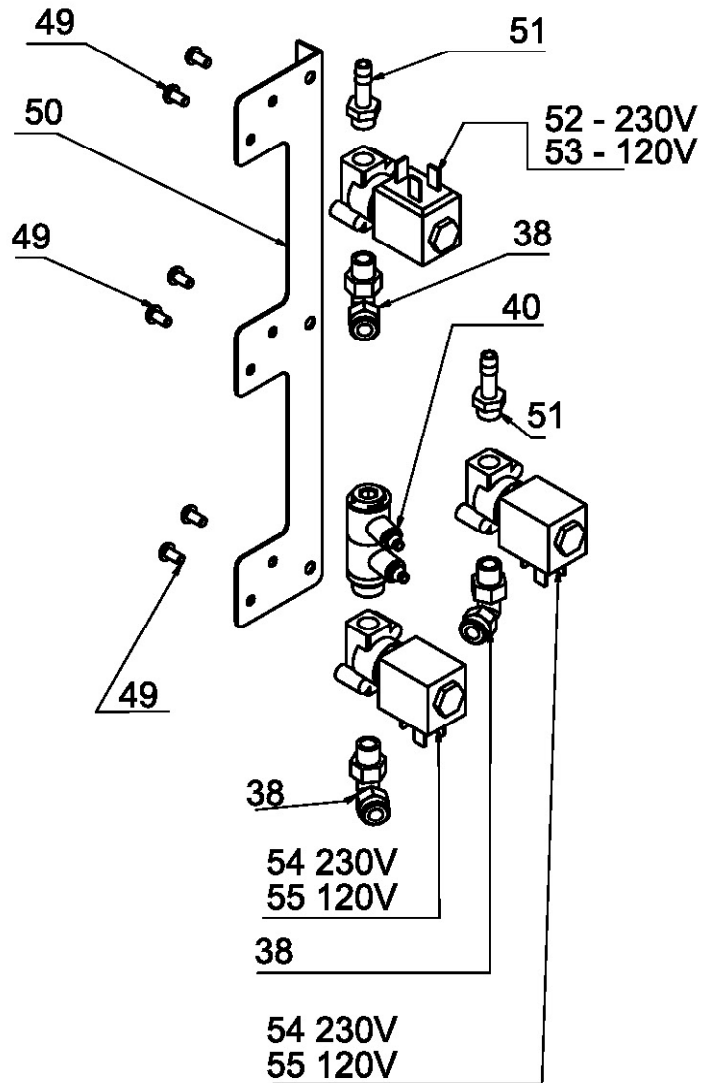
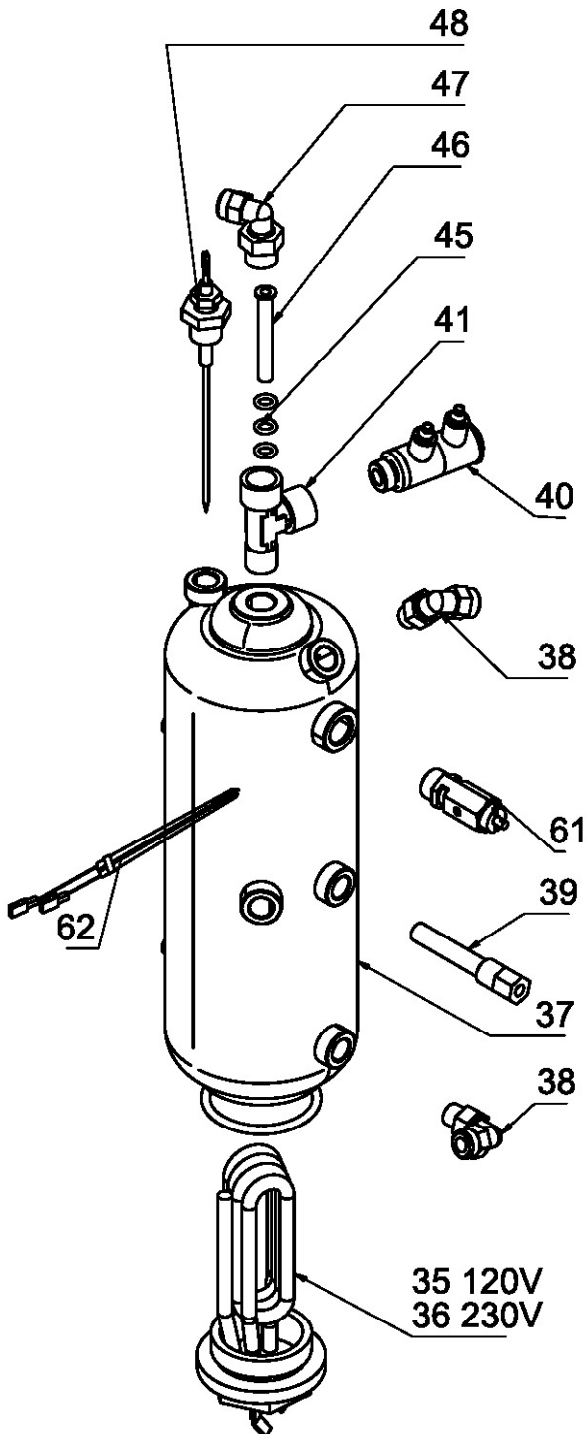
- 253-Ass.R. pompa 120V
Pump group 120V
- 257-Ass.R. pompa 230V
Pump group 230V

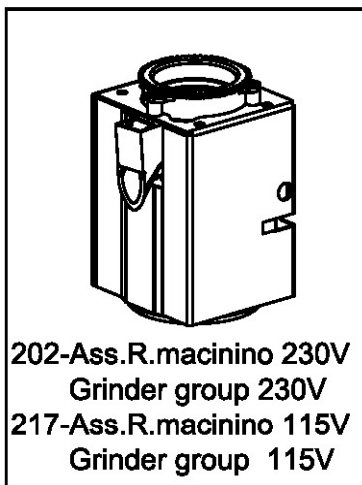
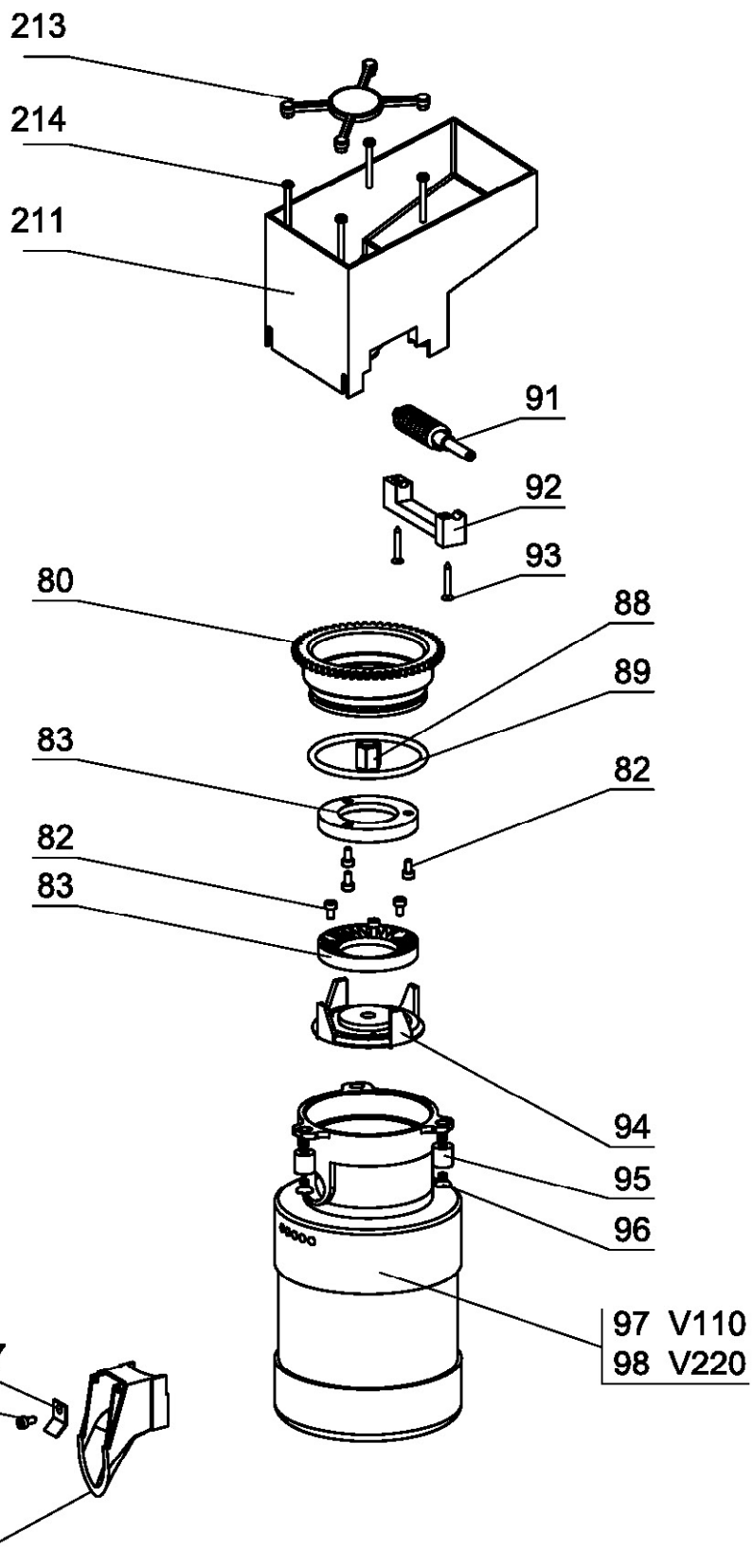


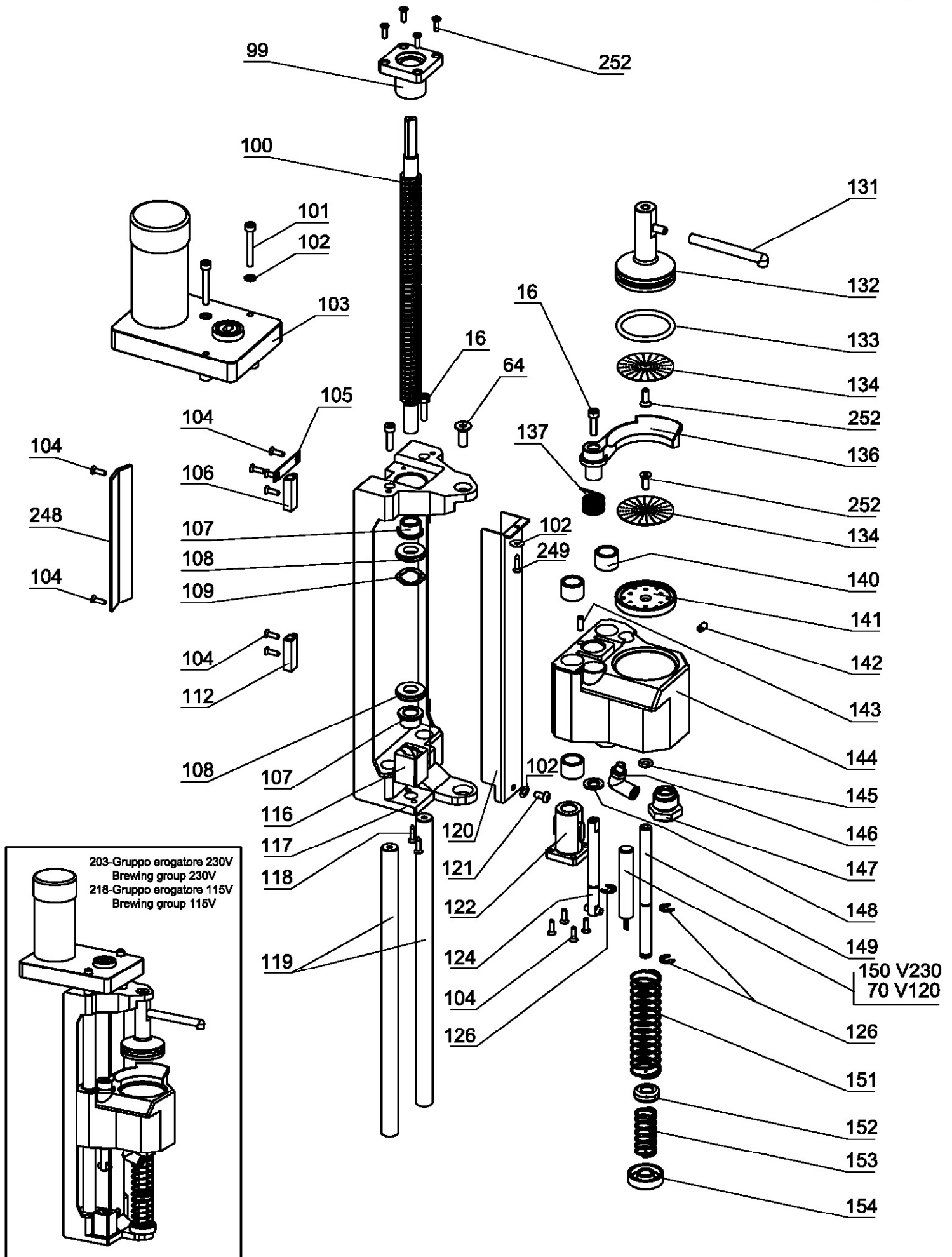
| TUBI - PIPE | |
|-------------|---|
| COD. | DESC. |
| 186 | Teflon pipe Ø4 (grup. erogatore-caldaia) |
| 187 | Teflon pipe Ø6 (caldaia vapore-caldaia pompa) |
| 188 | Silicone pipe Ø7.5 700mm |
| 237 | RED Silicone pipe 4x7.5 |

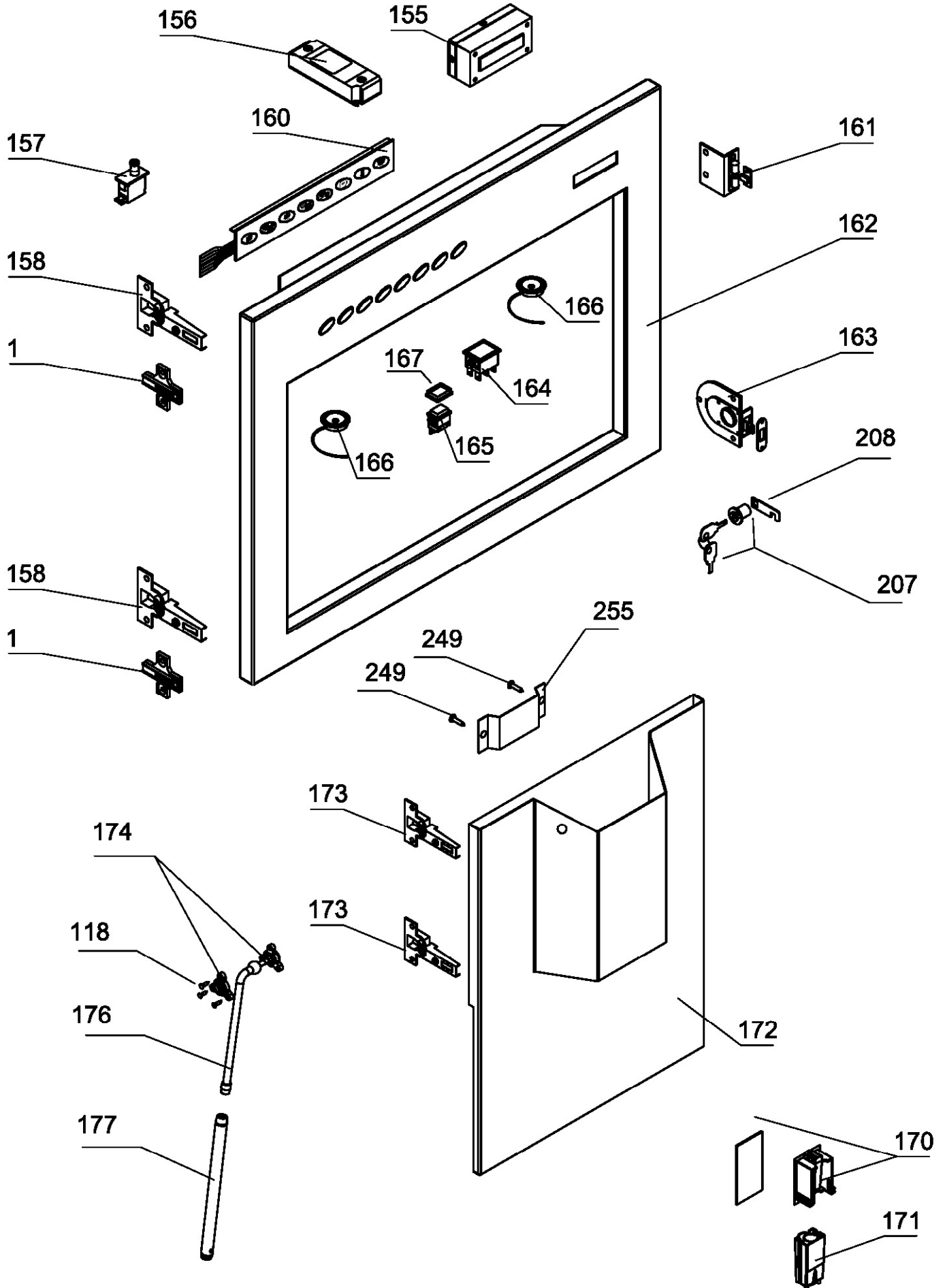
65 - Ass. Caldaia 230V
Boiler Group 230V

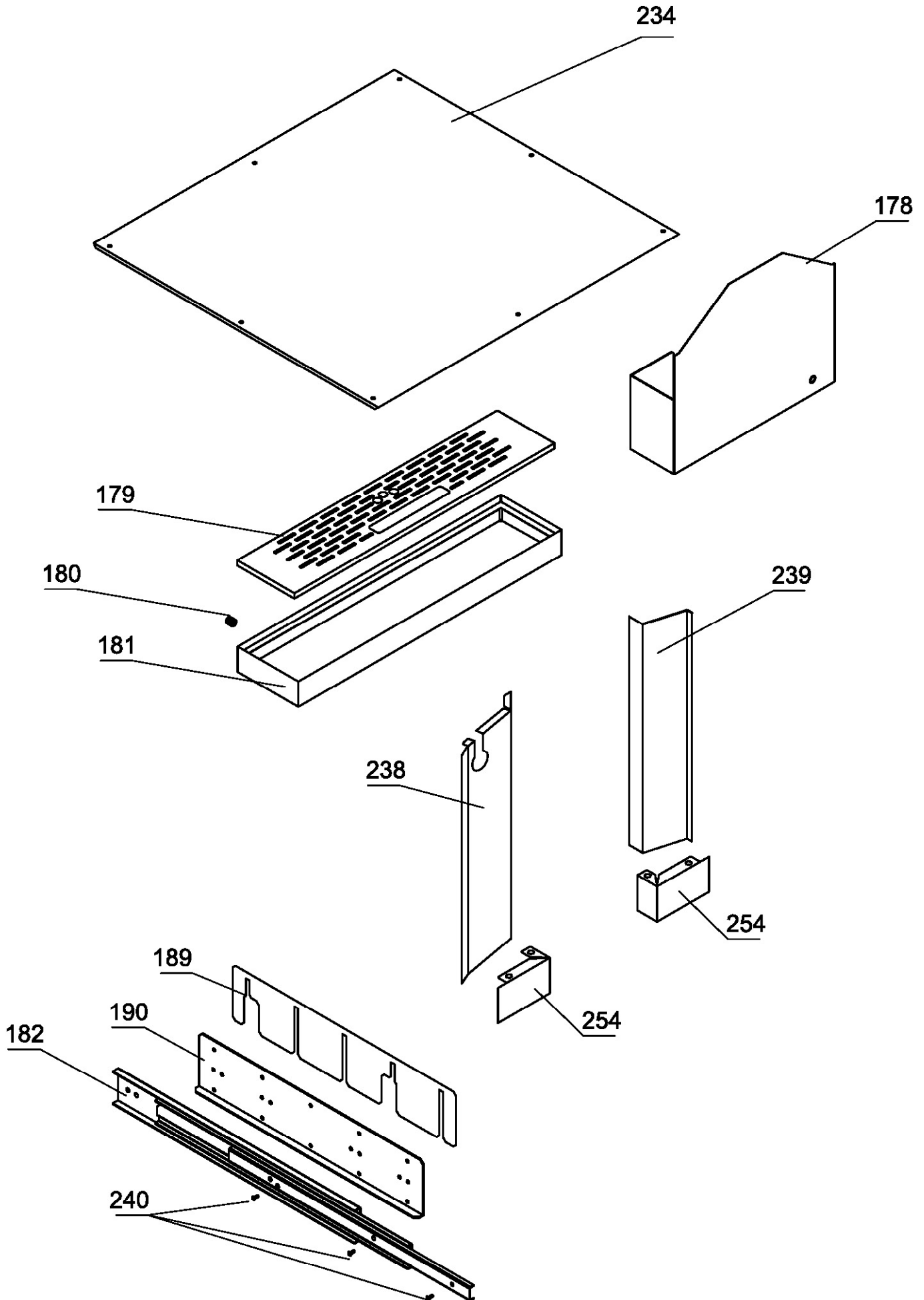
66 - Ass. Caldaia 120V
Boiler Group 120V













CM400FA - Fully Auto Built In Coffee Machine

| Item | Part Code | Description |
|------|-------------|------------------------------------|
| 1 | 60182900618 | HINGE HOLDER |
| 2 | 04900657 | SERIAL CABLE DISPLAY |
| 3 | 04900666 | SERIAL CABLE TOUCHPAD |
| 4 | 04900027 | FLOWMETER NSF HIGH PRESSURE |
| 5 | 15050002 | CAPACITOR 16microF V230 |
| 6 | 04000501 | CAPACITOR 16 µF V110 |
| 7 | 04900652 | VOLTAGE KPL. TA50 V230-18 150VA 50 |
| 8 | 04900651 | VOLTAGE TRANSFORMER TA50 V110 |
| 9 | 00000158 | STAINLESS STEEL SCREW M6x50 TCE |
| 11 | 04900649.US | EPROM ENGLISH |
| 12 | 05000037 | PLASTIC NUT |
| 13 | 04200043 | MICROSWITCH |
| 14 | 05000719 | BLACK DECAFFEINATED SLIDE CLOSI |
| 16 | 00000148 | STAINLESS STEEL SCREW M4x16 TCE |
| 17 | 05000758 | BLACK COVER WATER BOX Lt.5 |
| 19 | 20000290267 | DRAINING PIPE scm5 |
| 20 | 04900660 | FLOWMETER NSF LOW PRESSURE |
| 22 | 05000705.F | COFFEE BEANS CONTAINER COVER |
| 24 | 05000732 | DECAFFEINATED CONVEYOR |
| 27 | 05000755 | WATER CONTAINER L.5 |
| 29 | 04000565 | MAGNETIC SENSOR M8X30 L=300 |
| 30 | 01000089 | RETAIN VALVE C014 |
| 32 | 02280018 | O'RING DIA 11 MM |
| 34 | 05000759 | WATER TANK COLLECTOR Lt. 5 |
| 35 | 14100080 | ELEMENT 1" 1/4" 115V |
| 36 | 14100081 | ELEMENT 1" 1/4" 1230V |
| 37 | 98030015 | WEIOEO BOILER |
| 38 | 07300375 | SWIVEL JOINT 6 1/8 |
| 39 | 04900561 | TEMPERATURE PROBE 1/8 MICR. BOIL |
| 40 | 07300363 | DOUBLE JOINT 6 1/4 380 A |
| 41 | 07300365 | JOINT T 1/4 M-F-F |
| 43 | 04900650.S | ELECTRONIC CARD |
| 45 | 02290016 | O' RING D 9,5 R5 |
| 46 | 11740001 | TEFLON PIPE 6/4 |
| 47 | 07300361 | SWIVEL JOINT L 6 1/4 |
| 48 | 09000003 | COMPLETE LEVEL PROBE |
| 49 | 00000150 | INOX SCREW M4X6 |
| 50 | 03001574 | MICROBAR SUPPORT AND VALVE |
| 51 | 07300203 | TUBE CONNECTION |
| 52 | 04100056 | 2 WAYS SOLENOID VALVE |
| 53 | 04100057 | 2 WAYS SOLENOID VALVE |
| 54 | 04100042 | 2 WAYS SOLENOID VALVE |
| 55 | 04100043 | 2 WAYS SOLENOID VALVE |
| 56 | 04100046 | 3 WAYS SOLENOID VALVE |



CM400FA - Fully Auto Built In Coffee Machine

| Item | Part Code | Description |
|------|---------------|----------------------------------|
| 57 | 04100047 | 3 WAYS SOLENOID VALVE |
| 58 | 07300539 | FAST JOINT 1/8 |
| 59 | 03001572 | SOLENOID VALVE ONE BOILER SUPPC |
| 60 | 00000145 | INOX SCREW M3X8 TCEI ISO 4762 |
| 61 | 98013021 | SECURITY VALVE |
| 62 | 09500013 | THERMOSTAT |
| 64 | 00000152 | STAINLESS STEEL M6X16 |
| 65 | 98003035 230V | BOILER GROUP 230V |
| 66 | 98003035 120V | BOILER GROUP 120V |
| 25 | 14100064 | ELEMENT D 10x55 18W V120 |
| 80 | 84005001 | UPPER BLADE SUPPORT |
| 82 | 00000134 | SCREW M3X6 |
| 83 | 15800045 | BLADES D50 3 |
| 85 | 00000165 | INOX SCREW M3X8 TCEI ISO 4762 |
| 86 | 05000726 | RIGHT SLIDE COFFEE CLOSING |
| 87 | 05000725 | RIGHT SLIDE COFFEE |
| 88 | 15800038 | BLADE SUPPORT BLOCK NUT |
| 89 | 02290025 | Or grinder |
| 91 | 07300522 | GRINDING SCREW REGOLETION |
| 92 | 05000708 | REGOLABLE SCREW RIGHT CHUCK |
| 93 | 00000156 | STAINLESS STEEL SCREW 2x9 TCTCR |
| 94 | 85060006 | LOWER BLADE SUPPORT |
| 95 | 01000160 | ISOLATOR D10x10 M4 FF |
| 96 | 00000119 | STAINLESS STEEL SCREW M4x6 TSPT |
| 97 | 84005003 | GRINDER MOTOR 120V 60Hz |
| 98 | 84005004 | GRINDER MOTOR KPL.230V 50Hz |
| 99 | 07300507 | NUT |
| 100 | 07300519 | SCREW MOVEMENT |
| 101 | 00000149 | STAINLESS STEEL SCREW M4x30 TCE |
| 102 | 00000011 | GRAINED WASHER D 4 |
| 103 | 04600003 | GROUP MOTORIDUCTOR |
| 104 | 00000145 | STAINLESS STELL SCREW M3x8 TSPE |
| 105 | 03001541 | BLOCKING CABLE SLABGROUP SUPP |
| 106 | 04000312.A | MAGNETIC SENSOR L420 |
| 107 | 08000057 | BZ BUCKLE 10X10 |
| 108 | 08000071 | AXIAL BEARING 19X10X6 |
| 109 | 08000080 | UNDULATED RING |
| 112 | 04000312.B | MAGNETIC SENSOR L520 |
| 116 | 05000737 | LEVER SLEEVE LOWER MECHANISM |
| 117 | 84004001 | WORKED GROUP SUPPORT |
| 118 | 00000155 | STAINLESS STEEL SCREW 2.9x13 TSP |
| 119 | 07300508 | GROUP COLUMN D. 12 |
| 120 | 03001540 | GROUP WRAPPER SHEET |
| 121 | 00000150 | STAINLESS STEEL SCREW M4x6 TBEI |
| 122 | 05000744.1 | "NYLON MICROBAR" MOVEMENT VOL |
| 124 | 07300501 | SAHFT EXPULSION SPRING |
| 126 | 08000015 | SEEGER RS5 |
| 131 | 05000740 | DELIVERY TUBE |



CM400FA - Fully Auto Built In Coffee Machine

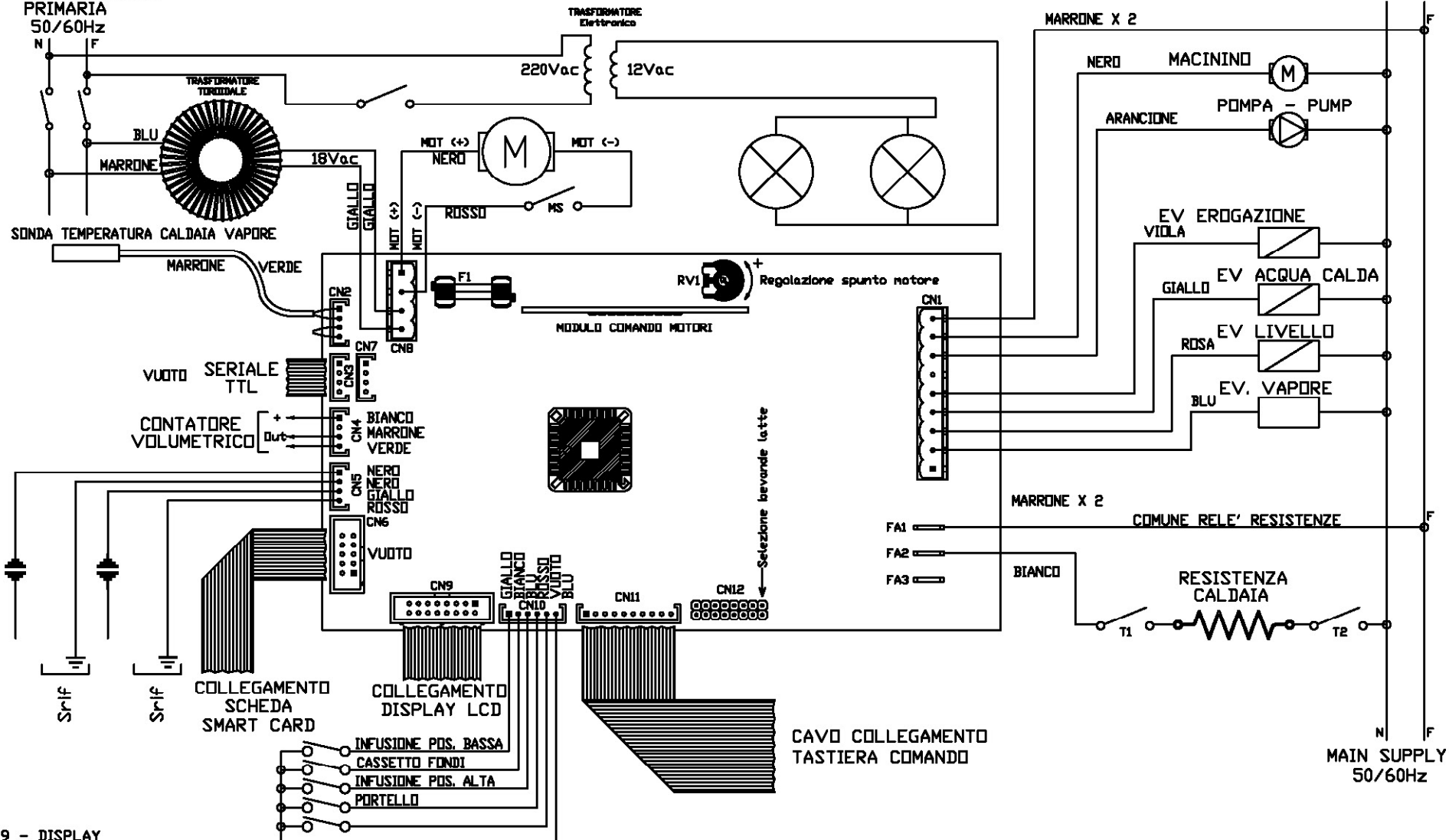
| Item | Part Code | Description |
|------|--------------|-------------------------------|
| 132 | 05000742 | UPPER PISTON |
| 133 | 02290020 | O'RING D.43 VITON |
| 134 | 03000069 | STAINLESS SHOWER D.40 X M4 |
| 136 | 05000738 | EXPULSION TABLET SHOVEL |
| 137 | 08000077 | LOWER EXPULSION TABLET SHOVEL |
| 140 | 08000053 | BZ BUCKLE 12X16X12 |
| 141 | 05000743 | LOWER PISTON |
| 142 | 00300019 | STAINLESS GRAIN M4x8 |
| 143 | 04000314 | MAGNETIC UNIT DI 4X10 |
| 144 | 84004002 | WARKED GROUP D43 |
| 145 | 02290019 | O'RING R6 |
| 146 | 07300542 | L RAPID FITTING M6 |
| 147 | 07300505 | LOWER PISTON GASKET NUT |
| 148 | 00000162 | GRAINED WASHER D8,4x17x0,5 |
| 149 | 07300503 | UPPER PISTON SHAFT |
| 150 | 14100063 | WIDERSTAND D10X55 18W 230V |
| 151 | 08000078 | LOWER PISTON LONG SPRING |
| 152 | 07300513 | LOWER SPRING SUPPORT |
| 153 | 08000079 | LOWER PISTON SHORT SPRING |
| 154 | 07300512 | UPPER SPRING SUPPORT |
| 155 | 7500000001 | COMPLETE DISPLAY |
| 156 | 42030099985 | ELECTRONIC TRANSFORMER PTDC |
| 157 | 04200063 | DOOR MICROSWITCH |
| 158 | 60182200481 | HINGE ART. 481 Diam 35 mm |
| 160 | 4401 0000018 | TOUCHPAD |
| 161 | 60182202397 | PAWL + HOLDER |
| 162 | 20000291272 | EXTERNAL DOOR SCM5 |
| 163 | 6018220661 0 | SPRING HOOK + HOLDER |
| 164 | 04200011 | BIPOLAR LIGHT SWITCH |
| 165 | 44001699999 | MODULAR BIPOlar LIGHT SWITCH |
| 166 | 42013299998 | LED OSP/25L60MT/L 1/AZ |
| 167 | 44001799999 | CAP PVCXL4 T125 |
| 170 | 05000728.S | DELIVERY NOZZLE SUPPORT |
| 171 | 9993101019 | DELIVERY NOZZLE |
| 172 | 20000290575F | INTERNAL DOOR S-CM5 |
| 173 | 60186600559 | HINGE ART. 559 diam 26 mm |
| 174 | 05000735 | PIPE SUPPORT |
| 176 | 84003001 | STAINLESS HOT WATER AND STEAM |
| 177 | 84003007 | STAINLESS HOT WATER AND STEAM |
| 178 | 20000290570 | COFFEE GROUNDS DRAWER SCM5 |
| 179 | 20000290233 | DROP COLLECTING SCM5 |
| 180 | 51121001599 | ANTIVIBRATION RUBBER |
| 181 | 20000290012 | WATER COLLECTING SCM5 |
| 182 | 60180036445 | LONG SLIDE |
| 186 | 11740002 | TEFLON PIPE D.4 |
| 187 | 11740001 | TEFLON PIPE D.6 |
| 188 | 11600001.W | SILICONE PIPE D.7,5 L=700mm |
| 189 | 20000091161 | TICKNESS FOR LONG SLIDE |



CM400FA - Fully Auto Built In Coffee Machine

| Item | Part Code | Description |
|------|----------------|------------------------------------|
| 190 | 20000793162 | HOLDER FOR LONG SLIDE |
| 202 | 98005030-230 | SCM 1 GRINDER GROUP 230V |
| 203 | 98004030 | BREWING GROUP 230V |
| 206 | 980020301 | TANK 5 L. GROUP |
| 207 | 60182202120 | PADLOCK WITH UNIVERSAL KEY |
| 208 | 60182202110 | LEVER FOR PADLOCK |
| 210 | 04000566 | MAGNETIC FLOATING UNIT |
| 211 | 05000704 | COFFEE BEANS CONTEINER |
| 213 | 05000707 | INTERNAL CONTEINR PROTECTION |
| 214 | 00000132 | SCREW FOR BEANS CONTAINER |
| 215 | 98017031 120V | TANK GROUP 120 V |
| 217 | 98005032 | GRINDER GROUP 120V |
| 218 | 98004030 | BREWING GROUP 120V |
| 219 | 05000756 | BLACK COVER PANEL 5Lt. |
| 231 | 75000049005 | BOX FOR ACCESSOIRES TANK VERSI |
| 232 | 75000049004 | BOX FOR ACCESSORIES PLUMBED VE |
| 233 | 04060002 | SUPPLY CABLE (USA PLUG) |
| 234 | 75000119663 | FIREPROOF COVER S-CM1 |
| 235 | 04000044 | SUPPLY CABLE (EUROPEAN PLUG) |
| 237 | 11600001.R | SILICONE PIPE 4x7,5 ----- 1 mt=41g |
| 238 | 20000190247 | LEFT COVERING |
| 239 | 20000190248 | RIGHT COVERING |
| 240 | 60041161010 | ALLEN SCREW M4X10 TS |
| 242 | 00000060 | NUT AQ M3 |
| 243 | 05000746 | FASTEN PIPE CLIP D.8 |
| 244 | 00000034 | SCREW M3X25 TS |
| 245 | 04000194 | LAMELLAR FASTON |
| 247 | 03001536 | COFFEE MICROBAR SLIDING TANG |
| 248 | 03001542 | BLOCKING CABLE SLABGROUP SUPP |
| 249 | 00000192 | INOX SCREW M4X8 |
| 252 | 00000164 | INOX SCREW M4X12 |
| 253 | 98017031AD | PUMP GROUP FOR PLUMBED UNITS |
| 254 | 20000190265 | COVERING LOWER SCM5 |
| 255 | 20000295278 | SCM 5 FRONT DELIVERY CLOSING |
| 256 | 98017031230V | PUMP GROUP TANK GROUP 230 V |
| 257 | 98017031AD 230 | PUMP GROUP FOR PLUMBED UNITS 2 |
| 258 | 04100060 | ACQUA STOP VALVE 230V |
| 259 | 04100061 | ACQUA STOP VALVE 120V |
| 260 | 77000039030 | ACQUA STOP TUBE GROUP |

ALIMENTAZIONE PRIMARIA
50/60Hz



- CN9 - DISPLAY
- CN10 - MICROSWITCH DOOR - UP/DOWN PLUNGER
- CN11 - CONTROLS
- CN5 - WATER LEVEL - STEAM LEVEL
- CN4 - FLOW METER
- CN20 - TEMP. PROBE
- CN8 - TRASFORMER (YELLOW: SECONDARY PHASE- RED/BLACK: PRIMARY PHASE)

caple
CM400FA

Fully Auto Built-In Coffee Machine
(with tank)