

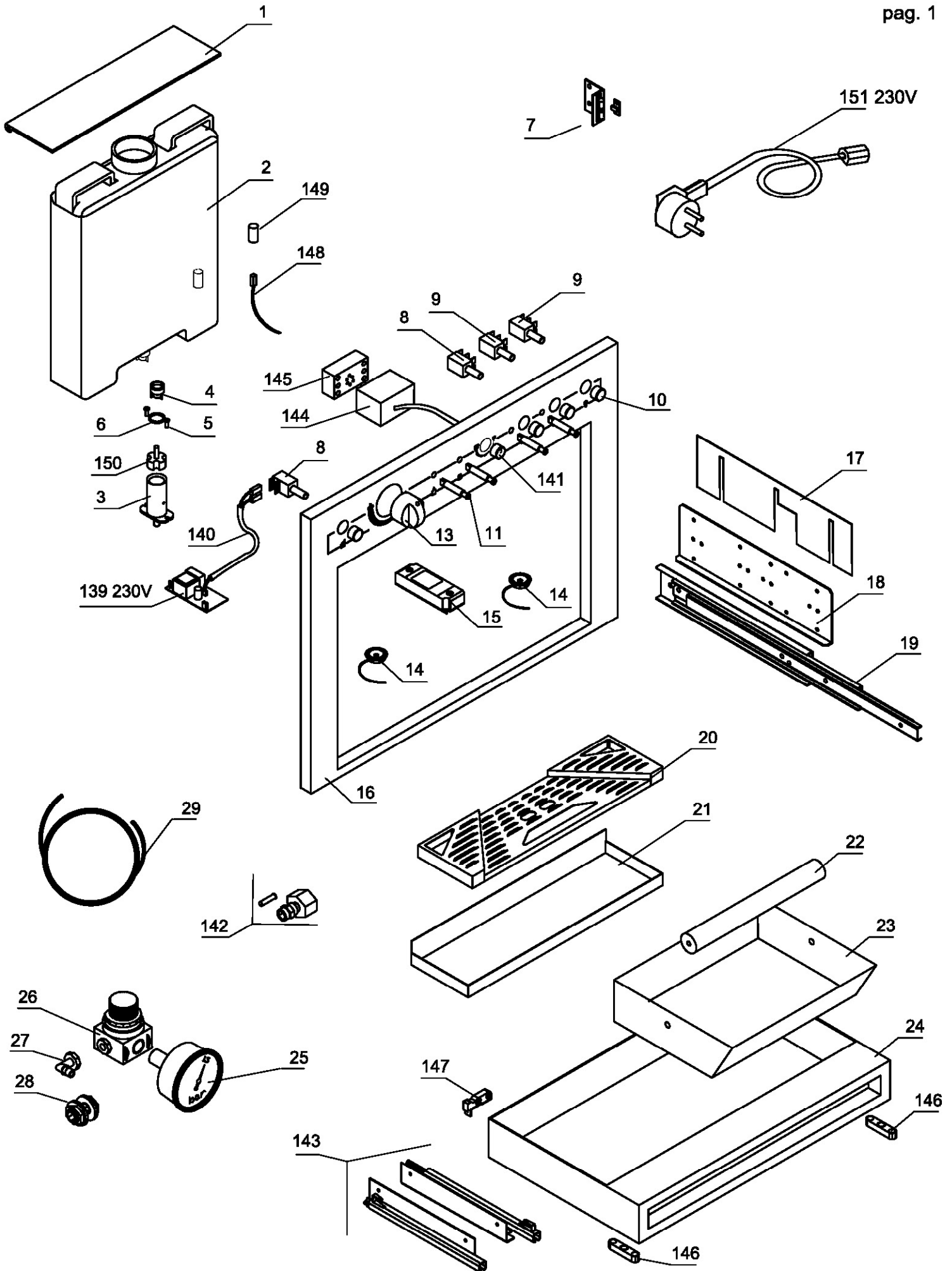


# CM300SA

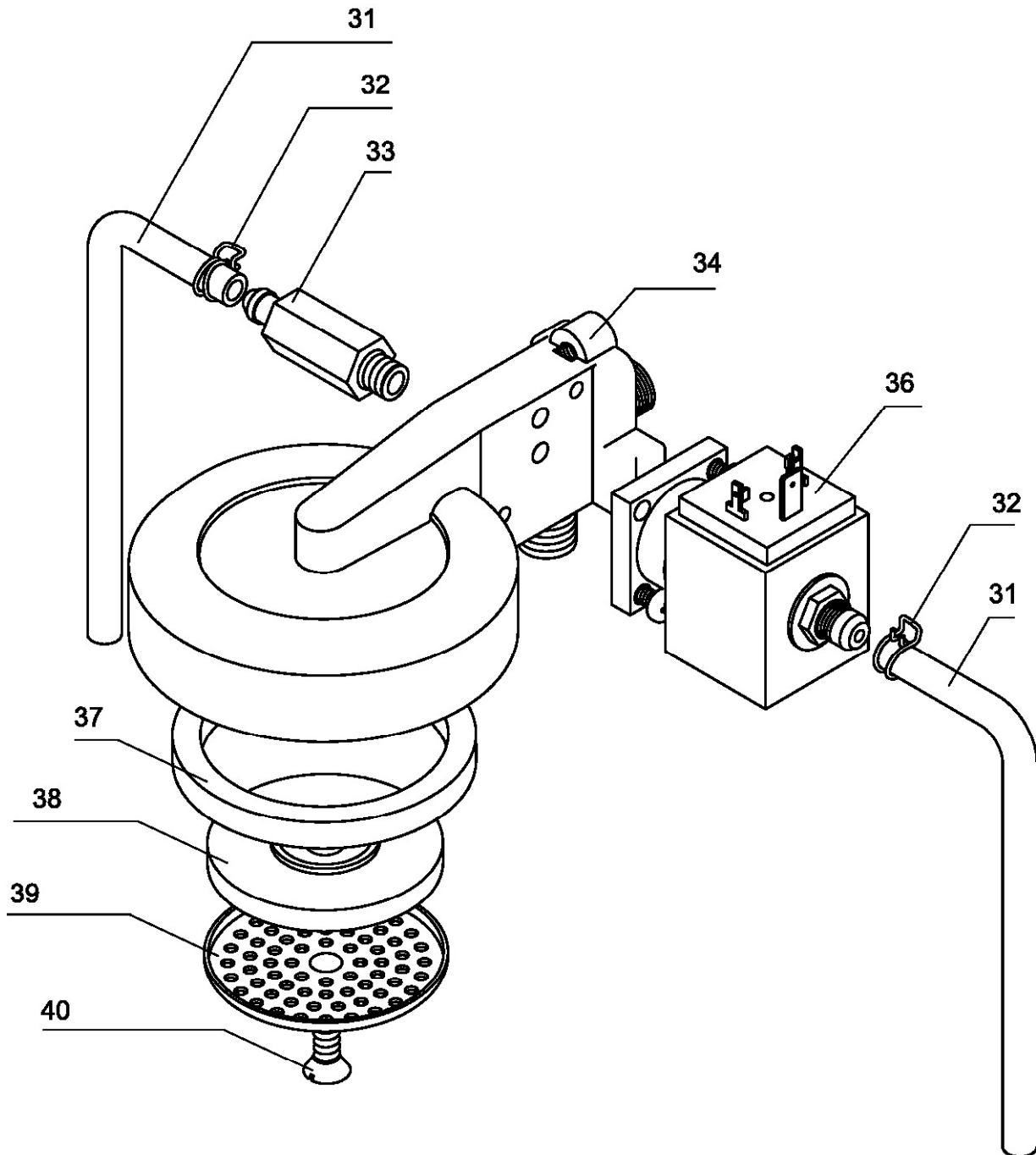
Semi Auto Built-In Coffee Machine  
( with tank )



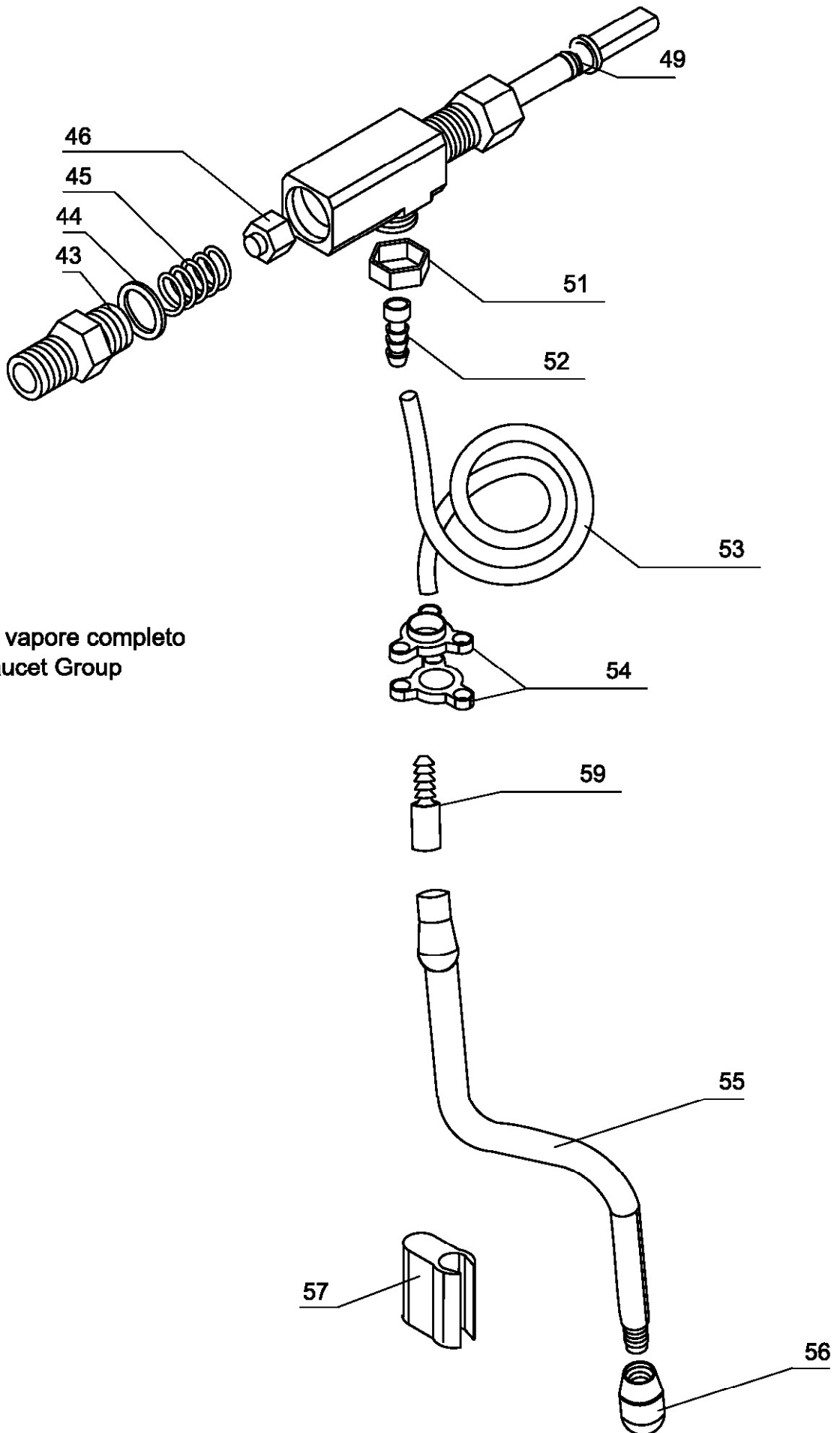
# TECHNICAL INFORMATION



42 Gruppo completo 230V  
Complete Group 230V

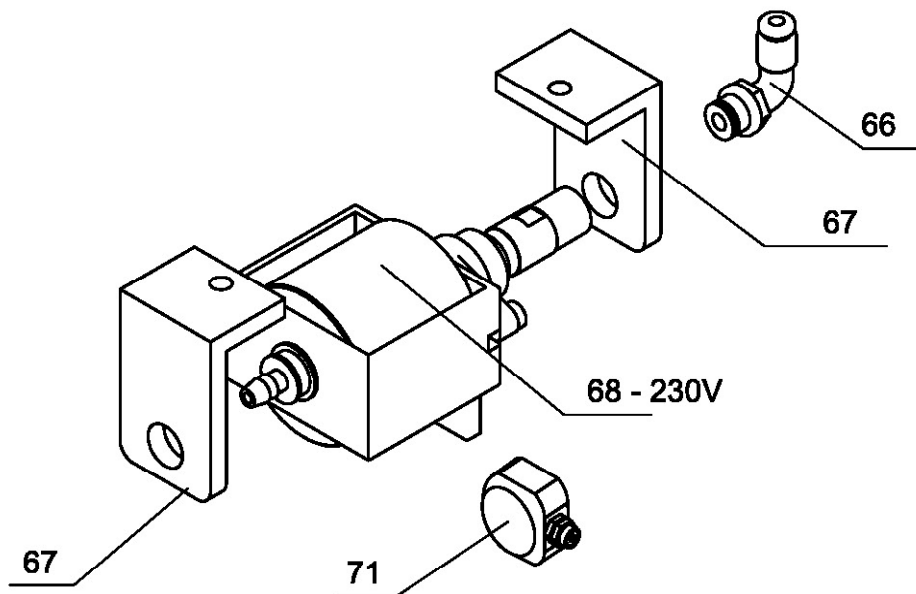
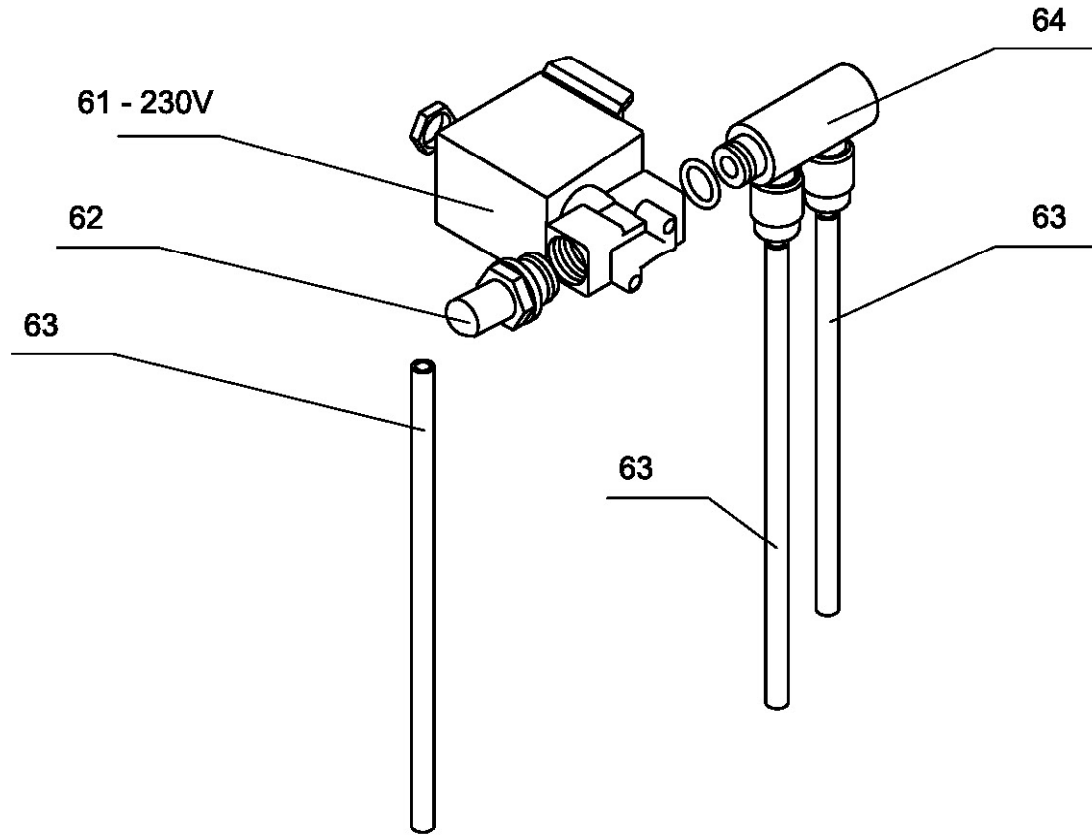


**RUBINETTO VAPORE  
STEAM VALVE**



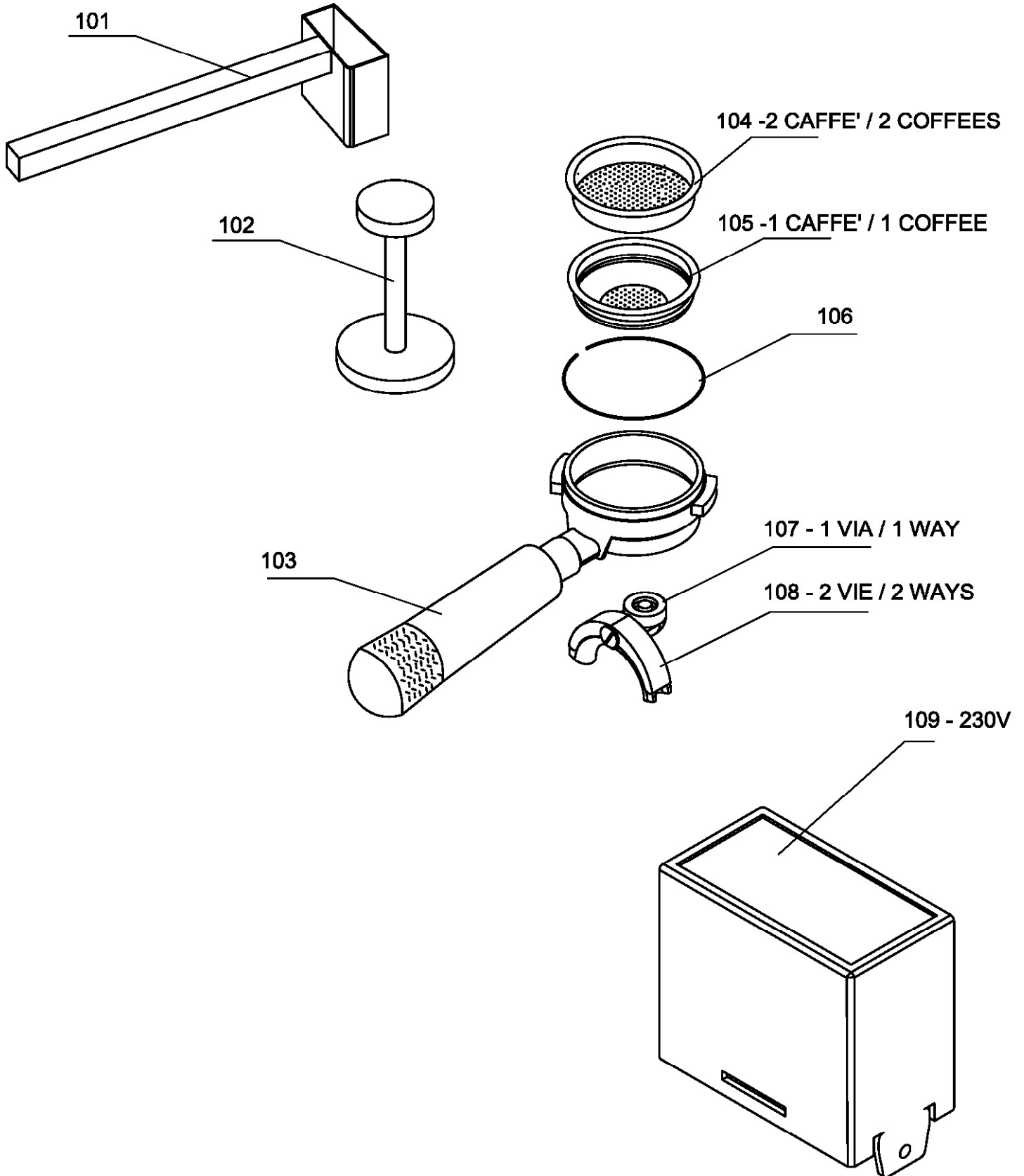
**58 Rubinetto vapore completo  
Steam Faucet Group**

HYDRAULIC GROUP / PUMP





**PORTA FILTRO, FILTRI PRESSINO, COMPONENTI ELETTRICI**  
**FILTER HOLDER, FILTERS, ELECTRICAL COMPONENTS**





# SPARE PARTS CM300SA

## Semi Auto Built-In Coffee Machine

Part No.	Code	Description	price €
1	05000164.0	Water cover box S-CM3	2.464
2	73004010.1	Water container 2L	16.224
3	05000182	WATER LEVEL PROBE TANK	2.360
4	01000089	RETAIN VALVE CO14	2.360
5	00000147	STAINLESS STEEL SCREW M4x12 TSPEI UNI 5933	0.072
6	02280018	O'RING DIA. 11 MM	0.457
7	60182202397	PAWL + HOLDER	4.140
8	18011026	SWITCH "normaly open"	12.636
9	04200051	SWITCH ON/OFF S-CM3	3.785
10	05000176.O	SWITCH BOTTON	0.426
11	42030099001	RED LAMP	1.560
13	63500100040	STEAM HANDLE	2.922
14	42013299997	LED OSP/25L6OMT/L1/BB BIANCO	25.000
15	42030099980	ELECTRONIC TRANSFORMER PTDCC/10/U/350	29.000
16	20000290000H	EXTERNAL DOOR S-CM3	100.000
17	20000090118	SLIDE TICKNESS	5.600
18	20000790111	SLIDE HOLDER	16.000
19	60180036440	SLIDE S-CM3	19.000
20	20000290106	DROP COLLECTING TRAY GRID	35.600
21	20000290107	WATER COLLECTING TRAY	45.500
22	39996090012	NYLON	18.000
23	20000290115	COFFEE GROUNDS DRAWER	46.000
24	20000290297	EXTERNAL COFFEE GROUNDS DRAWER	48.000
25	09100007	MANOMETER 0-10 bar	8.434
26	01000163	PRESSURE REDUCTOR 0-10 bar	32.364
27	07300546	"L" FITTING 1/4	7.436
28	05000848	JOINT	5.210
29	11740002	TEFLON PIPE DIAM. 4 MT 5	8,205/mt
31	11600002	SILICON PIPE 5X8 60 Sh	0,041/gr
32	08000003	TUBE SPRING BAND	0.374
33	98120001	EXPANSIONE VALVE 1/8"	8.226
34	73004013	CHROMED GROUP S-CM3	45.780
36	04100038	3 WAYS SOLENOID 230V 50Hz	36.774
37	02280020.C	GROUP GASKET	1.113
38	07300183	BRASS GROUP DIFFUSER	7.280
39	03000066	STAINLESS STEEL SHOWER	2.880
40	00300021	STAINLESS SCREW M6X16	0.457
42	73004015	COMPLETE GROUP 220V	81.700
43	07300110	STEAM TAP SPRING HOLDER	2.392
44	02280011	O'RING D19	0.520
45	08000005	STEAM VALVE SPRING	0.884
46	98008004	COMPLETE PISTON CLOSING	2.766
49	02280014	O'RING D7 SILICON	0.457
51	07300169	NUT CONNECT	1.019
52	07300235	STEAM PIPE TERMINAL DIAM. 14	3.700
53	11600001.R	SILICON PIPE RED	0,042/gr
54	05000735	PIPE SUPPORTO	0.686
55	73006002	STAINLESS STEAM PIPE	7.196
56	73006003	STAINLESS STEAM NOZZLE + OR	1.549
57	05000003	RUBBER STEAM PIPE PROTECTION	1.008
58	98060000	complete steam faucet	32.800
59	07300617	RUBBER HOLDER	0.509
61	04100005	2 WAYS SOLENOID VALVE 230V 50/60Hz	15.410
62	07300362	FITTING 1/4"	1.736
63	11740001	TEFLON 6/4 TUBE	5,865/mt
64	07300363	DOUBLE FITTING 1/4	12.272
66	07300375	FITTING 1/8 90°	3.203
67	05180005	L RUBBER PUMP SUPPORT	1.882
68	04800005	VIBRATION PUMP 230V 50/60Hz	35.599

## SPARE PARTS CM300SA

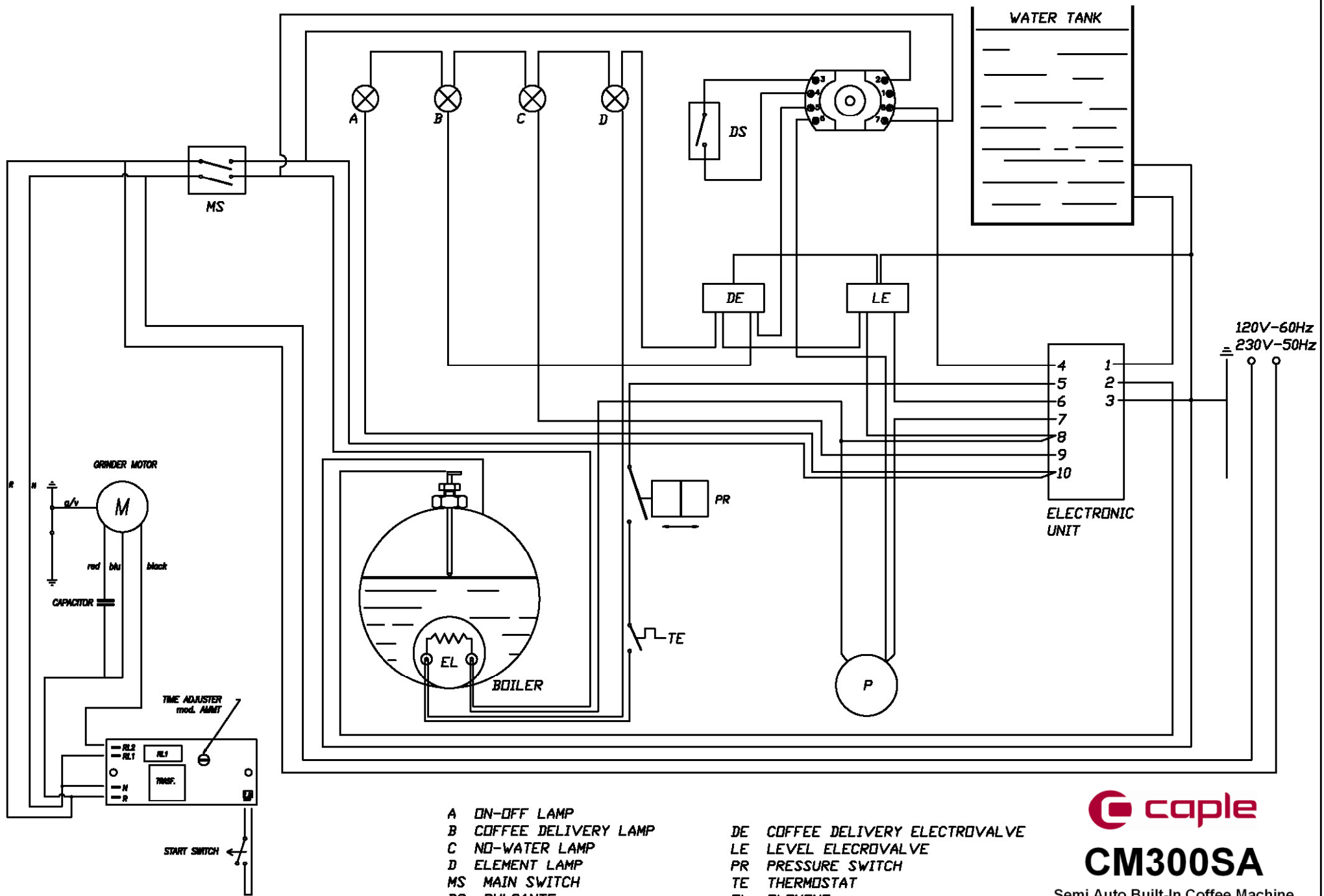
### Semi Auto Built-In Coffee Machine

Part No.	Code	Description	price €
71	07300369	PUMP FITTING CONNECTION FOR DIRECT CONNECTION	4.513
73	00300002	1/4" BRASS NUT	0.520
74	73003011	LEVEL PROBE	9.048
75	98013021	SECURITY VALVE	5.844
76	09200014	PRESSURESTAT	22.609
77	07300365	"T" FITTING 1/4" FFM	3.088
78	73003028	BOILERSTEAM TAP TUBE	5.800
79	07300012.M8	SMALL 2 WAYS NOZZLE	0.977
80	07300376	FITTING 1/8	2.423
81	07300370	BRASS BODY RETAINING/EXPANSION VALVE	1.331
82	01000090	RETAINING VALVE CO10	2.360
83	07300091	FITTING MFM 1/4	2.631
84	73003026	BOILERUPPER GROUP TUBE S-CM3	6.400
85	73003027	BOILERLOWER GROUP TUBE S-CM3	6.750
86	11740001	TEFLON PIPE	5,865/mt
87	07300362	FITTING 1/8	1.736
88	09000008	BOILER FAUCET	8.528
89	07300091	T FITTING MFF	2.631
90	09500014	THERMOSTAT 167°	8.642
91	07300013	"L" FITTING M-F 1/4	1.980
92	14100040	HEATING ELEMENT 230V 1200W	21.580
94	02290020	O'RING AN25 SILICON	1.653
95	73003003	BOILER	73.444
96	01000105	BOILER INSULATOR	4.118
97	73003004	BOILER GROUP SCM3 230V	170.800
101	05000082	DOSE COFFEE	0.800
102	05080035	PLASTIC COFFEEPRESS	2.631
103	98005024	FILTER HOLDER	28.121
104	03000184	2 COFFEES FILTER	4.846
105	03000183	1 COFFEE FILTER	4.846
106	08000017	FILTER HOLDER SPRING	0.977
107	07300211	1 WAY NOZZLE	5.844
108	07300212	SMALL 2 WAYS NOZZLE	6.167
109	04900195	ELECTRONIC UNIT 203V S-CM3	65.052
114	05000705.F	COFFEE BEANS CONTAINER COVER	1.809
115	05000707	INTERNAL CONTEINR PROTECTION	0.738
116	00000132	SCREW FOR BEANS CONTAINER	0.291
117	05000704	COFFEE BEANS CONTEINER	2.704
118	84005001	UPPER BLADE SUPPORT	13.499
119	15800045	BLADES D50 3	16.764
120	00000134	SCREW M3X6	0.104
122	15800038	BLADE SUPPORT BLOCK NUT	1.216
123	02290025	Or grinder	1.882
124	07300522	GRINDING SCREW REGOLETION	2.423
125	05000708	REGOLABLE SCREW RIGHT CHUCK	0.686
126	00000156	STAINLESS STEEL SCREW 2x9 TCTCR ISO 4757	0.072
127	85060006	LOWER BLADE SUPPORT	11.273
128	01000160	ISOLATOR D10x10 M4 FF	2.849
129	00000119	STAINLESS STEEL SCREW M4x6 TSPTCR ISO 7046	0.249
131	84005004	GRINDER MOTOR 230V/50Hz	94.494
132	60040161010	HEXAGONAL STAINLESS STEEL SCREW M3X10 TS	0.150
133	20000190102	STAINLESS STEEL SUPPORT FOR FILTHER HOLDER	16.500
134	20000290139	STAINLESS STEEL COFFEE GROUND SUPPLYING	18.100
135	20000290112	STAINLESS STEEL COFFEE GROUND CHANNEL	10.300
136	98140001	GRINDER GROUP 220V	151.430
139	04900508.I	WIRING BOARD 230V	30.378
140	04000188	ELECTRIC CABLE JOINTING WIRING B. TO THE SWITCH	4.503
141	63500100025	TIME COFFEE EROGATION HANDLE	5.000
142	75049006510	JOINT	4.300



## SPARE PARTS CM300SA Semi Auto Built-In Coffee Machine

Part No.	Code	Description	price €
143	75049006310	GROUNDS DRAWERS SLIDE	26.300
144	04900197	COFFEE EROGATION TIMER 230V	58.500
145	09000011	ZVF/8 BASE	10.212
146	60180047216	FRONT BEIGE FIXING TAG	0.500
147	60180073213	BACK WHITE FIXING TAG	0.500
148	04000565	MAGNETIC SENSOR M8X30 L=300	18.688
149	04000566	MAGNETIC FLOATING UNIT	4.243
150	05000184	LEVEL PROBES TAP	0.457
151	04080043	SUPPLY CABLE (EUROPEAN PLUG)	6.104
152	15050002	CAPACITOR 16mF 230V	5.075
153	05340015	WIRES BAND	0.080
	25/07/07		



- A ON-OFF LAMP
- B COFFEE DELIVERY LAMP
- C NO-WATER LAMP
- D ELEMENT LAMP
- MS MAIN SWITCH
- DS PULSANTE

- DE COFFEE DELIVERY ELECTROVALVE
- LE LEVEL ELECTROVALVE
- PR PRESSURE SWITCH
- TE THERMOSTAT
- EL ELEMENT

**caple**

**CM300SA**

Semi Auto Built-In Coffee Machine  
( with tank )