



undercounter wine cabinet instruction manual

WI6231



Contact Caple on 0117 938 7420 or for spare parts www.caple.co.uk





CONTENTS

Important safety instructions	2
Installation instructions	8
Before using your wine cabinet	8
Operating and setting the temperature	10
Control Panel	10
Using the shelves	12
How to change the door opening	13
Installing the bar handle	14
Fitting a kitchen plinth	15
Wine bottle stacking	16
Installation dimensions	17
Fixing the top fixing bracket	17
Using the foot sliders	18
Care and maintenance	19
Troubleshooting guide	21
Defrosting/condensation	22
The humidity system	22
Recommended storage temperatures	22
Recommended drinking temperatures	22

Please keep this instruction manual for future reference





INTRODUCTION

Thank you for buying your new Caple Wine Cabinet.

To ensure that you get the best results from your new purchase, we strongly suggest that you read this instruction manual thoroughly before use. This manual contains installation advice, usage instructions and other important facts about your Caple Wine Cabinet. If treated with care your Caple Wine Cabinet will give you many years of trouble free use.



Please keep this instruction manual for future reference





WARNINGS

- To prevent damaging the door gasket, make sure the door is fully open when pulling shelves out of the rail compartment.
- The appliance must be positioned so that the plug is accessible. Release the electric cord and move your cabinet to its final location. Do not move your cabinet while loaded with wine as you may distort the body.
- The wine cabinet should be installed in a suitable place in order to avoid touching the compressor.
- After unpacking, make sure that the appliance is in perfect order. If you have any doubt, do not use it and contact your retailer.
- If the supply cord is damaged, it must be replaced by a Caple service agent or a similarly qualified person in order to avoid a hazard.
- This product is not designed for commercial use, it is a household appliance only.
It is not intended to be used in:
 - Staff kitchen areas in shops, offices and other working environments
 - Bed and breakfast type environments
 - By clients in hotels, motels and any other residential type environments

Please keep this instruction manual for future reference





- This appliance is intended to be used exclusively for the storage of wine.

IMPORTANT

Caple cannot be held liable for any non compliance with these instructions.

ELECTRICAL SHOCK HAZARD

To reduce the risk of fire, electrical shock, or injury when using your appliance, follow these basic precautions:

- Read all instructions before using the wine cabinet.
- DANGER or WARNING: Risk of child entrapment.
- Before you throw away your old wine cabinet: Take off the door, leaving the shelves in place so that children cannot easily climb inside.
- Never allow children to operate, play with, or crawl inside the appliance.
- Never clean appliance parts with flammable fluids. The fumes can create a fire hazard or explosion.
- Do not store or use gasoline or any other flammable vapours and liquids in the vicinity of this or any other appliance. The fumes can create a fire hazard or explosion.

Please keep this instruction manual for future reference





- The refrigerant of this appliance is R600a, flammable and explosive articles should not be put in or near the cabinet, to avoid the risk of fire or explosion.
- This appliance can be used by children aged from 8 years and above and persons with reduced physical, sensory or mental capabilities or lack of experience and knowledge if they have been given supervision or instruction concerning use of the appliance in a safe way and understand the hazards involved. Children shall not play with the appliance.
- Cleaning and user maintenance shall not be made by children without supervision.

Please keep this instruction manual for future reference





ENVIRONMENTAL PROTECTION

Waste electrical products should not be disposed of with household waste. Please recycle where facilities exist. Check with your Local Authority or retailer for recycling advice. This appliance is marked according to the European directive 2002/96/EC on Waste Electrical and Electronic Equipment (WEEE).

By ensuring this product is disposed of correctly, you will help prevent potential negative consequences for the environment and human health, which could otherwise be caused by inappropriate waste handling of this product. The symbol on the product indicates that this product may not be treated as household waste. Instead it shall be handed over to the applicable collection point for the recycling of electrical and electronic equipment. Disposal must be carried out in accordance with local environmental regulations for waste disposal.

For more detailed information about treatment, recovery and recycling of this product, please contact your local council, your household waste disposal service or the retailer where you purchased the product

CE DECLARATIONS OF CONFORMITY **CE**

This appliance has been manufactured to the strictest standards and complies with all applicable legislation, Low Voltage Directive (LVD) and Electromagnetic Compatibility (EMC).

Please keep this instruction manual for future reference





INSTALLATION

Before using your wine cabinet

- Remove the exterior and interior packing.
- **IMPORTANT:** Before connecting the wine cabinet to the power source, let it stand upright for at least 12 hours. This will reduce the possibility of a malfunction in the cooling system from handling during transportation.
- Clean the interior surface with lukewarm water using a soft cloth.
Before installation, turn the unit off and unplug it from the outlet.

NOTE

To protect the appliance in transit and delivery the door is packed tightly against the cabinet. When first installed this can mean the door seal appears thinner on one side of the door due to compression, this is normal and once out of the box it will relax over a short period of time and the door will return to the normal position. If you wish to speed up the process you can gently warm the seal with a hair dryer on a low temperature setting. This can help relax the seal helping it return to normal thickness a little faster.

INSTALLATION OF YOUR WINE CABINET

- Place your wine cabinet on a floor that is strong enough to support it when it is fully loaded.
- To level your wine cabinet, adjust the front levelling leg at the bottom of the cabinet.
- Ensure it is perfectly level, as this will minimise any vibrations.
- This appliance uses flammable refrigerant. Never damage the cooling pipework during transportation.
- Locate the wine cooler away from direct sunlight and sources of heat (ovens, hobs, heaters, radiators, etc.). Never clean appliance parts with flammable fluids. The fumes can create a fire hazard or explosion. When disposing your appliance, please choose an authorized disposal site.
- Avoid locating the unit in moist areas.
- It is fitted with a power cord having an earth wire terminating in a 13amp plug.
- Ensure appliance is correctly ventilated, see page 15

Please keep this instruction manual for future reference





- Consult a qualified electrician or service engineer if the earthing instructions are not completely understood.
- Plug the wine cabinet into an exclusive, properly installed-grounded wall outlet. Do not under any circumstances cut or remove the third (ground) pin from the plug. Any questions concerning power and/or grounding should be directed toward a certified electrician or Caple service.

WARNING: INCORRECT EARTHING CAN RESULT IN THE RISK OF ELECTRIC SHOCK

Attention!

- Store wine in sealed bottles
- Do not overload the cabinet
- Do not open the door unless necessary
- Do not cover shelves with aluminium foil or any other shelf material which may prevent air circulation
- Should the wine cabinet be stored without use for long periods it is suggested, after careful cleaning, to leave the door ajar to allow air to circulate inside the cabinet in order to avoid possible formations of condensation, mould or odours.
- Keep ventilation openings, in the appliance enclosure or in the built-in structure, clear of obstruction;
- Do not use mechanical devices or other means to accelerate the defrosting process, other than those recommended by the manufacturer;
- Do not damage the refrigerant circuit;
- Do not use electrical appliances inside the storage compartments of the appliance, unless they are the type recommended by the manufacturer

Please keep this instruction manual for future reference





OPERATING YOUR WINE CABINET

Please use the cabinet within ambient temperatures between 16-32°C, if the ambient temperature is higher or lower than this, it will cause the temperature to fluctuate in the cabinet, possibly preventing it from reaching 5-18°C.

SETTING THE TEMPERATURE

To set the temperature, connect the power cord to a properly grounded outlet. In the event of a power interruption, the previous temperature setting is automatically erased and it will default to a preset temperature setting of 12°C

Set the desired cooling temperature by pressing the buttons adjacent to the Δ/∇ indicators. Each press of the buttons will scroll through the available temperature settings in increments of 1°C.

The temperature setting can be adjusted from 5°C to 18°C

To view the actual temperature at anytime press and hold the temperature adjustment button (up or down) for approximately 5 seconds, the actual temperature will temporarily flash in the LED display for 5 Seconds. After this it will revert back to the set temperature.

Flashing LED = Cabinet temperature

Steady LED = Set temperature

NOTE

If the unit is unplugged, power lost or turned off, you must wait 3 to 5 minutes before restarting the unit. If you attempt to restart before this time delay, the wine cabinet will not start.

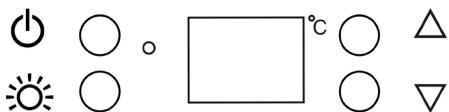
When you use the wine cabinet for the first time or you restart the cabinet after having been shut off for a long time, there could be a few degrees variance between the temperature you select and the one indicated on the LED readout. This is normal and it is due to the length of the activation time. Once the wine cabinet has been running for a few hours everything will be back to normal.

Please keep this instruction manual for future reference





CONTROL PANEL



- Indicator light illuminates to signify the cooling mode is currently in operation



Button

Used to switch the internal light on/off



Button

To switch the appliance on/off
(press and hold this buttons for approximately 3 seconds)



Button

Used to raise the temperature in 1°C increments



Button

Used to lower the temperature by in 1°C increments

Please keep this instruction manual for future reference





Internal light

In order to reduce energy consumption, the LED light within this wine cabinet will automatically switch off after 10 minutes. If you would prefer the LED light to remain on continuously, this is possible. Please press and hold the "LIGHT" button for 5 seconds, the display will show "LP". After 4 seconds the display will revert back to normal and the light will remain on until manually switched off.

If you would like to revert back and conserve energy (recommended), press and hold the "LIGHT" button for 5 seconds, the display will show "LF". After 4 seconds the display will revert back to normal, and the light will automatically switch off after 10 minutes.

USING THE SHELVES

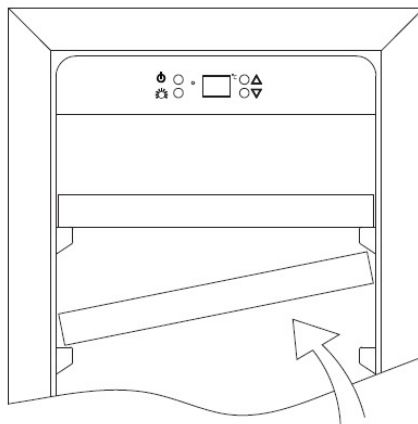
To prevent damaging the door gasket, make sure to have the door opened fully when pulling shelves out of the rail compartment.

For easy access to the storage content, you must pull the shelves approximately 1/3 out of the rail compartment, however this unit was designed with a notch on each sides of the shelf tracks to prevent bottles from falling.

Removing or installing shelves

To install or remove a shelf, tilt the shelf as per the diagram and simply pull out, or push in the shelf until it sits on the support brackets securely.

Visit our Cable website to view a 'How to video' on this. www.cable.co.uk



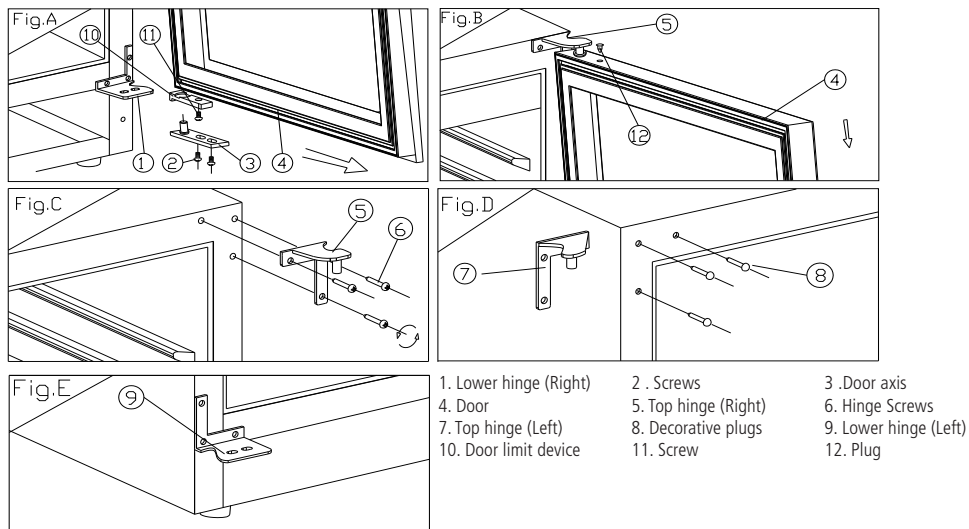
Please keep this instruction manual for future reference





HOW TO CHANGE THE DOOR OPENING

This appliance has reversible doors but is delivered with a right hinged door. The left hand hinge kit comes with the unit (in the box), should you wish to reverse the hinge on your unit follow the directions below:



1. Open the door to 90 degrees, take out 2 screws (2) from lower door axis (3), remove the door (4), then pull out the door and door axis (Fig. A).
2. Put the door down safely and take out the plug (12) from top of door frame, unscrew 1 screw (11) at bottom and remove the door limit device (10), then install the door limit device (10) at top of door frame, please use spare plug (12) to block the hole at top of door frame. (Fig. A/B)
3. Take out 3 hinge screws (6) from top hinge (right) (5) and remove it. (Fig. C)
4. Remove decorative nail (8) from left top of cabinet and install spare top hinge (Left) (7) at left top of cabinet with 3 screws. (Fig. D)
5. According above procedure, install spare lower hinge (left) (9). (Fig. E)
6. The door revolves 180 degrees, install the door with same way it was removed and fix it with door aligned.
7. Block the hole at right top of cabinet with spare decorative plugs (8).

Please keep this instruction manual for future reference

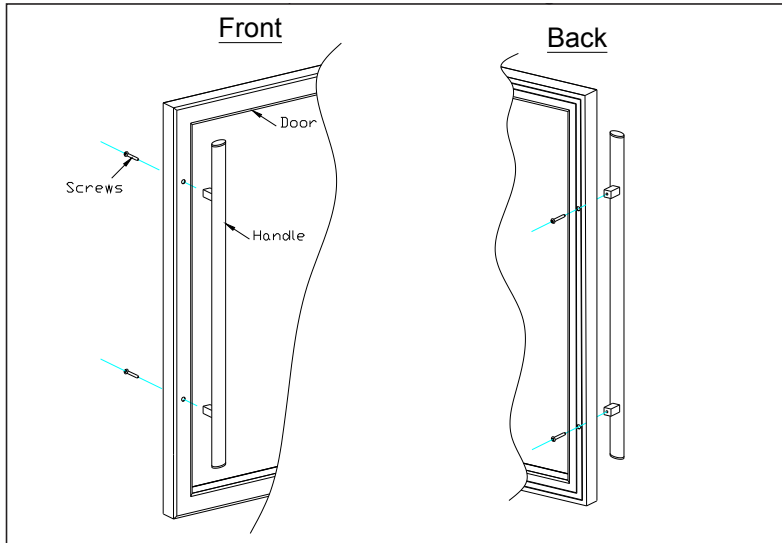




INSTALLING THE BAR HANDLE

Remove the door gasket on the drilled holes side by pulling from the top corner. (see below drawing). Fix the handle to the screws and push the gasket back into place.

Visit our caple website to view a 'How to video' at www.caple.co.uk



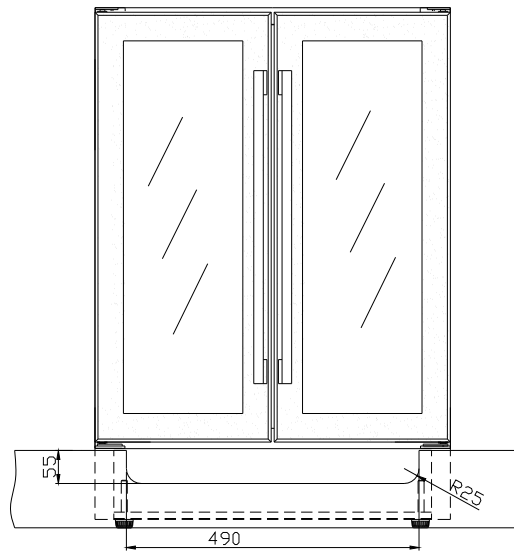
Please keep this instruction manual for future reference





FITTING A KITCHEN PLINTH

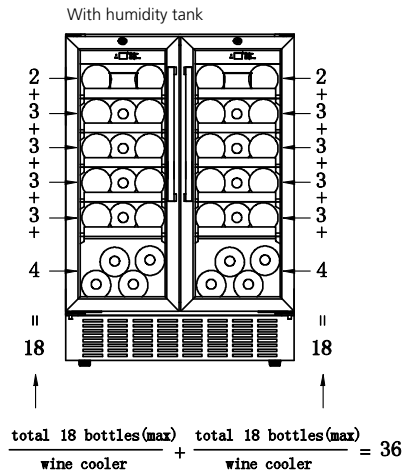
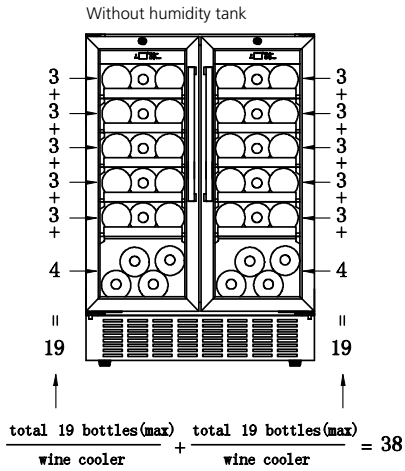
This model is also supplied with a slot on plinth grille if the previous method/grille is not preferred. A H75mm vent slot is required in the plinth to ensure air is able to ventilate correctly. See diagram below



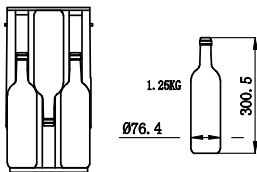
Please keep this instruction manual for future reference



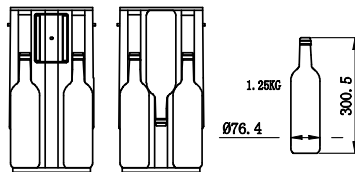
WINE BOTTLE STACKING



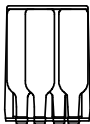
full shelf(10)



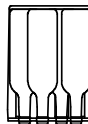
Humid box(2) full shelf(8)



half shelf(2)



half shelf(2)



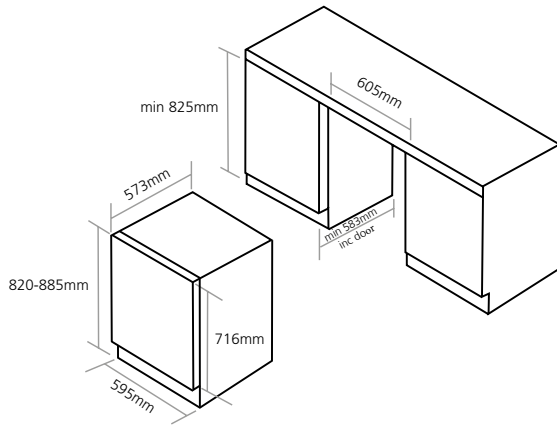
Stores max. 19 Bordeaux style bottles 750ml.

Please note, if you wish to store other style bottles i.e champagne, the removal of some shelves is recommended to be able to accommodate these.

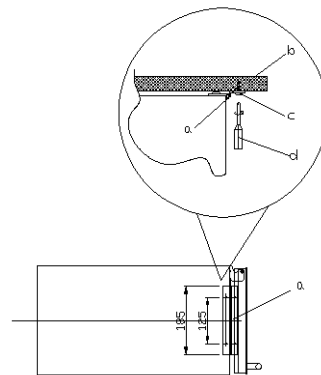
Please keep this instruction manual for future reference



INSTALLATION DIMENSIONS



FIXING THE TOP FIXING BRACKET



After installing the wine cabinet, please open the door, adjust the fixing bracket (a) and fix this in position with three screws (c) using a screwdriver (d) into the work surface.

- a) Top fixing bracket
- b) Work surface
- c) Screw
- d) Screwdriver

This bracket will keep the product secure and help prevent it moving when in use.

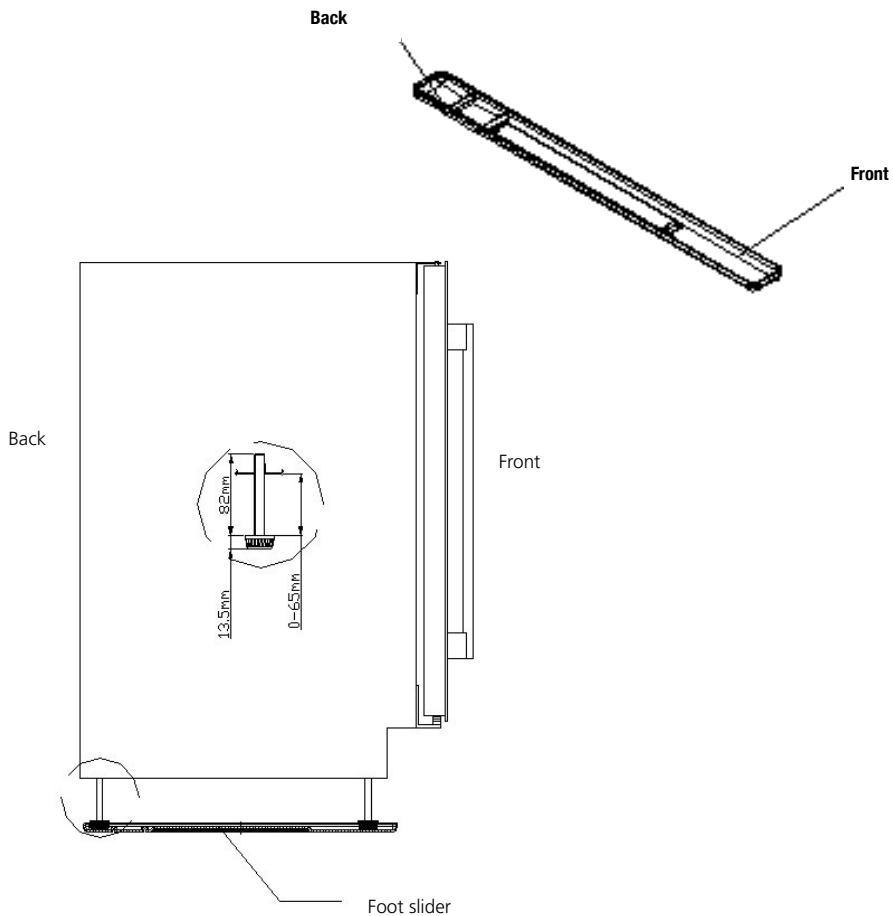
Please keep this instruction manual for future reference





USING THE FOOT SLIDERS

If you want to adjust the height over 820mm, please install the product using the foot sliders provided. These are provided to help prevent the feet catching on the floor when sliding the appliance into the aperture. Place the back foot in the location marked 'Back' below and the front foot in the location marked 'Front'. Once fitted to both sides of the wine cabinet the appliance can be gently positioned into the aperture, taking care not to place excess pressure on the feet when locating the cabinet.



Please keep this instruction manual for future reference





CARE AND MAINTENANCE

Cleaning your wine cabinet

- Turn off the power, unplug the appliance, and remove all items including shelves and rack.
- Wash the inside surfaces with a warm water and baking soda solution. The solution should be about 2 tablespoons of baking soda to 2 pints of water.
- Wash the shelves with a mild detergent solution.
- Wring excess water out of the sponge or cloth when cleaning the area of the controls, or any electrical parts.
- Wash the outside cabinet with warm water and mild liquid detergent. Rinse well and wipe dry with a clean soft cloth.

NOTE

Please take care when cleaning the plinth grille as this may contain sharp edges.

Power failure

- Most power failures are corrected within a few hours and should not affect the temperature of your appliance if you minimise the number of times the door is opened. If the power is going to be off for a longer period of time, you need to take the proper steps to protect your contents.

Holidays

- Short holidays: Leave the wine cabinet operating during holidays of less than three weeks.
- Long holidays: If the appliance will not be used for several months, remove all items and turn off the appliance. Clean and dry the interior thoroughly. To prevent odour and mould growth, leave the door open slightly (blocking it open if necessary).

Please keep this instruction manual for future reference





Moving your wine cabinet

- Remove all items.
- Securely tape down all loose items (shelves) inside your appliance.
- Wind the adjustable legs up to the base to avoid damage.
- Tape the door shut.
- Be sure the appliance stays secure in the upright position during transportation. Also protect outside of appliance with a blanket, or similar item.

Energy saving tips

- The wine cabinet should be located in the coolest area of the room, away from heat producing appliances, and out of the direct sunlight.

Please keep this instruction manual for future reference





PROBLEMS WITH YOUR WINE CABINET

You can solve many common wine cabinet problems easily, saving you the cost of a possible service call. Try the suggestions below to see if you can solve the problem before calling **Caple Service**.

TROUBLESHOOTING GUIDE

Problem	Possible Cause
The wine cabinet does not operate	Not plugged in. The appliance is turned off. The circuit breaker tripped or a blown fuse.
The wine cabinet is not cold enough	Check the temperature control setting. External environment may require a higher setting. The door is opened too often. The door is not closed completely. The door gasket does not seal properly.
The compressor turns on and off frequently	The room temperature is hotter than normal. A large amount of contents has been added to the wine cabinet. The door is opened too often. The door is not closed completely. The temperature control is not set correctly. The door gasket does not seal properly.
The light does not work	The circuit breaker tripped or a blown fuse. The bulb has burned out. The light button is "OFF".
Vibrations	check that the appliance is level and installed on a flat even surface
The wine cabinet seems to make too much noise.	The rattling noise may come from the flow of the refrigerant, which is normal. As each cycle ends, you may hear gurgling sounds caused by the flow of refrigerant in your wine cabinet. Contraction and expansion of the inside walls may cause popping and crackling noises, this is normal. The wine cabinet is not level.
The door will not close properly	The wine cabinet is not level. The door was reversed and not correctly installed. The gasket is dirty. The shelves are out of position.

If the above table has not solved the problem please contact Caple Service by phone on **0119 938 7420** or by email **service@caple.co.uk**

Please keep this instruction manual for future reference





DEFROSTING/CONDENSATION

Your wine cabinet is designed with an “Auto-cycle” defrost system. When the RUN cycle is OFF, the refrigerated surface of the wine cabinet (interior rear wall) defrosts automatically. The defrosted water is channelled into a drain pan which is located at the back of the cabinet next to the compressor from where it evaporates.

HUMIDITY SYSTEM

The wine cabinet is equipped with a system for maintaining the correct level of humidity. If humidity is too low, insert the small plastic reservoir on to the top shelf. Fill this reservoir 3/4 full with water. Check the water level occasionally and refill as necessary.

Recommended storage temperatures

For storing ALL TYPES OF WINES 12°C to 14°C

Recommended drinking temperatures

Champagne NV, Sparkling	6°C
Champagne Vintage	10°C
Dry White Semillon, Sauvignon Blanc	8°C
Dry White Gewürztraminer, Riesling	10°C
Dry White Chardonnay	10°C
Vintage Chardonnay 1	4°C
Sweet White Sauternes Monbazillac, Late Harvest ice wine	10°C
Sweet whites vintage Sauternes	14°C
Beaujolais	13°C
Red Pinot Noir	16°C
Vintage Pinot Noir red	18°C
Red Cabernet, Merlot, French, Australian, New Zealand, Chilean, Argentinean, Italian, Spanish, Californian	18°C
Red Grenache, Syrah	16°C

Please keep this instruction manual for future reference



TECHNICAL DATA

Model	Brand: CAPLE Reference: Wi6231 Category of household refrigerating appliance :2
Supply	220-240V~ 50Hz
Dimension (WxDxH cm)	59.5 x 57.7 x 82 cm
Weight (kg)	50kg
Energy efficiency class	B
Annual Energy Consumption (AEC)	195 kWh of energy per annum calculated on the basis of the result obtained for 24h in standard test consumption. The actual energy consumption will depend on use and the location of the device.
Useful volume of the compartments (l)	119L
Defrosting	Automatic defrost
Climate class	Climate class : N This unit is designed to be used at an ambient temperature between 16°C (the lowest temperature) and 32°C(the highest)
Acoustic emissions in the air in dB (A) re 1 pW	43dB
Type installation	Free standing or/and built-in

Please keep this instruction manual for future reference



Caple Service
Fourth Way
Avonmouth
Bristol
BS11 8DW

t: 0117 938 7420
e: service@caple.co.uk
www.caple.co.uk

Please keep this instruction manual for future reference

