



Undercounter Wine Cabinet Instruction Manual

WI6150 & WI6155



Contact Caple on 0117 938 7420 for spare parts or www.caple.co.uk

CONTENTS

| | |
|--|----|
| Introduction | 3 |
| Safety Instructions | 4 |
| Environmental Protection | 7 |
| Installation | 8 |
| Operating Your Wine Cabinet | 10 |
| Control Panel | 11 |
| Using The Shelves | 13 |
| Installing The Charcoal Filter | 14 |
| How To Change The Door Opening | 15 |
| Installing The Handle | 17 |
| Installing The Full Height Plinth Grille | 18 |
| Fitting A Kitchen Plinth | 19 |
| Wine Bottle Stacking | 20 |
| Installation Dimensions | 21 |
| Installing The Top Fixing Bracket | 22 |
| Using The Foot Sliders | 23 |
| Care and Maintenance | 24 |
| Troubleshooting | 26 |
| Recommended Temperatures | 28 |
| Caple Contact Details | 32 |

INTRODUCTION

Thank you for choosing this Caple Wine Cabinet.

To ensure that you get the best results from your new wine cabinet, we strongly suggest that you read this instruction manual thoroughly before use. If treated with care, your Caple product should give you years of trouble-free use.

To register ownership, please ensure you complete and return the guarantee card supplied with the appliance or visit www.caple.co.uk and register here.

This instruction manual is designed to provide you with all the required information related to the installation, use and maintenance of the appliance.

Please read this manual carefully before using your appliance. It contains important safety advice; it explains how to use and look after your appliance so that it will provide you with many years of reliable service.

Should a fault arise, please first consult the "Troubleshooting" section. You can often rectify minor problems yourself, thus saving unnecessary service costs.

Please keep this manual in a safe place and pass it on to new owners for their information and safety.

WARNINGS

- To prevent damaging the door gasket, make sure the door is fully open when pulling shelves out of the rail compartment.
- The appliance must be positioned so that the plug is accessible. Release the electric cord and move your cabinet to its final location. Do not move your cabinet while loaded with wine as you may distort the body.
- The wine cabinet should be installed in a suitable place in order to avoid touching the compressor.
- After unpacking, make sure that the appliance is in perfect order. If you have any doubt, do not use it and contact your retailer.
- If the supply cord is damaged, it must be replaced by a Caple service agent or a similarly qualified person in order to avoid a hazard.
- This product is not designed for commercial use, it is a household appliance only.
- This appliance is intended to be used in household and similar applications such as:
 - › Staff kitchen areas in shops, offices and other working environments.
 - › Farm Houses.
 - › By clients in hotels, motels and other residential type environments.
 - › Bed and breakfast type environments.
- This appliance is intended to be used exclusively for the storage of wine.

IMPORTANT

Caple cannot be held liable for any non compliance with these instructions.

ELECTRICAL SHOCK HAZARD

- Read all instructions before using the wine cabinet.
- DANGER or WARNING: Risk of child entrapment.
- Before you throw away your old wine cabinet: Take off the door, leaving the shelves in place so that children cannot easily climb inside.
- Never allow children to operate, play with, or crawl inside the appliance.
- Never clean appliance parts with flammable fluids. The fumes can create a fire hazard or explosion.
- Do not store or use gasoline or any other flammable vapours and liquids in the vicinity of this or any other appliance. The fumes can create a fire hazard or explosion.
- The refrigerant of this appliance is R600a, flammable and explosive articles should not be put in or near the cabinet, to avoid the risk of fire or explosion.
- Cleaning and user maintenance shall not be made by children without supervision.
- When positioning the appliance, ensure the supply cord is not trapped or damaged.

- This appliance can be used by children aged from 8 years and above and persons with reduced physical, sensory or mental capabilities or lack of experience and knowledge if they have been given supervision or instruction concerning use of the appliance in a safe way and understand the hazards involved. Children shall not play with the appliance.
- Do not locate multiple portable socket-outlets or portable power supplies at the rear of the appliance.
- Do not use plug adapter.
- Store wine in sealed bottles.
- Do not overload the cabinet.
- Do not open the door unless necessary.
- Do not cover shelves with aluminium foil or any other shelf material which may prevent air circulation.
- Should the wine cabinet be stored without use for long periods it is suggested, after careful cleaning, to leave the door ajar to allow air to circulate inside the cabinet in order to avoid possible formations of condensation, mould or odours.
- Keep ventilation openings, in the appliance enclosure or in the built-in structure, clear of obstruction.
- Do not damage the refrigerant circuit.
- Do not use electrical appliances inside the storage compartments of the appliance, unless they are the type recommended by the manufacturer.



Symbol ISO 7010 W021

Warning; Risk of fire / flammable materials



ENVIRONMENTAL PROTECTION

Waste electrical products should not be disposed of with household waste. Please recycle where facilities exist. Check with your Local Authority or retailer for recycling advice. This appliance is marked according to the European directive on Waste Electrical and Electronic Equipment (WEEE).

By ensuring this product is disposed of correctly, you will help prevent potential negative consequences for the environment and human health, which could otherwise be caused by inappropriate waste handling of this product. The symbol on the product indicates that this product may not be treated as household waste. Instead it shall be handed over to the applicable collection point for the recycling of electrical and electronic equipment. Disposal must be carried out in accordance with local environmental regulations for waste disposal.

For more detailed information about treatment, recovery and recycling of this product, please contact your local council, your household waste disposal service or the retailer where you purchased the product.

WARRANTY

Your new appliance is covered by warranty. The warranty card is enclosed - if it is missing, you must provide the following information to your retailer in order to receive a replacement: date of purchase, model and serial number. Registration can also be completed online by visiting www.caple.co.uk.

Ensure you keep your warranty card safe, you may need to show it to Caple Service together with proof of purchase. If you fail to show your warranty card you will incur all repair charges.

Spare parts are only available from Caple Service and spare parts authorised centres.

CE DECLARATIONS OF CONFORMITY



This appliance has been manufactured to the strictest standards and complies with all applicable legislation, Low Voltage Directive (LVD) and Electromagnetic Compatibility (EMC).

UKCA DECLARATIONS OF CONFORMITY



This appliance has been manufactured to the strictest standards and complies with all applicable legislation.

TECHNICAL FICHE

This appliance conforms to all current and applicable energy regulations. To view the Technical Fiche that supports the energy labelling data, please visit the product page on our website www.caple.co.uk

INSTALLATION

BEFORE USING YOUR WINE CABINET

- › Remove the exterior and interior packing.

IMPORTANT:

Before connecting the wine cabinet to the power source, let it stand upright for at least 12 hours. This will reduce the possibility of a malfunction in the cooling system from handling during transportation.

- › Clean the interior surface with lukewarm water using a soft cloth.
Make sure to turn the unit off and unplug it from the outlet.

NOTE

To protect the appliance in transit and delivery the door is packed tightly against the cabinet. When first installed this can mean the door seal appears thinner on one side of the door due to compression, this is normal and once out of the box it will relax over a short period of time and the door will return to the normal position. If you wish to speed up the process you can gently warm the seal with a hair dryer on a low temperature setting. This can help relax the seal helping it return to normal thickness a little faster.

INSTALLATION OF YOUR WINE CABINET

- › Place your wine cabinet on a floor that is strong enough to support it when it is fully loaded.
- › To level your wine cabinet, adjust the front levelling leg at the bottom of the cabinet.
- › Ensure it is perfectly level, as this will minimise any vibrations.
- › This appliance uses flammable refrigerant. Never damage the cooling pipework during transportation.
- › Locate the wine cooler away from direct sunlight and sources of heat (ovens, hobs, heaters, radiators, etc.). Never clean appliance parts with flammable fluids. The fumes can create a fire hazard or explosion. When disposing your appliance, please choose an authorised disposal site.
- › Avoid locating the unit in moist areas.

- › It is fitted with a power cord having an earth wire terminating in a 13amp plug.
- › Ensure the product is correctly ventilated (see page; 15 & 16).
- › Consult a qualified electrician or service engineer if the earthing instructions are not completely understood.
- › Plug the wine cabinet into an exclusive, properly installed-grounded wall outlet. Do not under any circumstances cut or remove the third (ground) pin from the plug. Any questions concerning power and/or grounding should be directed toward a certified electrician or Caple service.

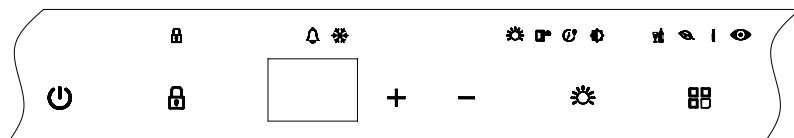
WARNING:

Incorrect earthing can result in the risk of electric shock.





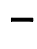
OPERATING YOUR WINE CABINET

Please use the cabinet within ambient temperatures between 16-32°C, if the ambient temperature is higher or lower than this, it will cause the temperature to fluctuate in the cabinet, possibly preventing it from reaching 5-18°C.

CONTROL PANEL









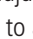


TOUCH CONTROL KEYS

-  To switch the appliance ON/OFF (press and hold this buttons for approximately 3 seconds)
-  To turn the lock function on/off. Press and hold this button for approximately 3 seconds to activate/deactivate. When activated, the  symbol will illuminate.
-  Press this button to raise the temperature in 1°C increments. The highest temperature is 18°C. Once the required temperature is selected, the LED display will temporarily flash for 5 seconds, then reverts back to the normal display, and the temperature is now set.
-  Press this button to lower the temperature in 1°C increments. The lowest temperature is 5°C. Once the required temperature is selected, the LED display will temporarily flash for 5 seconds, it then reverts back to the normal display, and the temperature is now set.

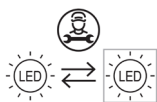
NOTE:

Press and hold  and  for 3 seconds, to change the display from °C to °F.

-  This button is used to toggle between the different light functions. When selected, the relevant symbol will illuminate:
-  The internal light will switch on when the door is opened, and off when the door is closed.
-  The internal light is continuously on. However after 3 minutes the light will dim.
-  The internal light will remain on for 10 minutes once the door is closed and then turn off.
-  This symbol indicates the brightness adjuster: Hold the light key  for 3 seconds until  flashes. Then use the  and  keys to adjust the brightness of the internal light.


NOTE:

This product contains a light source of energy efficiency class G.



NOTE:


The light must be replaced by qualified personnel. For instructions on how to replace the light, please contact Caple Service or visit our website.

 This button is used to toggle between the different operational functions. When selected, the relevant symbol will illuminate:

STANDARD MODE:

Select this function to operate the wine cabinet in standard mode.

ECO MODE:

An energy saving mode where both the inner light and control panel lights are off (except the  indicator). The LED display is also switched off, until you change the temperature using the **+** and **-** keys, this will be displayed for 5 seconds and then switch off again. The compressor is also delayed 5 minutes in order to save energy.


INTELLIGENT MODE:

In intelligent mode, the wine cabinet will adjust the fan speed according to the ambient temperature. This will reduce noise levels and save energy.

DEMO MODE:

When DEMO mode is selected, the compressor and PTC heater will be disabled, and the fan input voltage reduces to 9V. The HI/LO temperature alarm is also disabled during DEMO mode.

 The cooling symbol will illuminate to show when the wine cabinet is currently cooling.

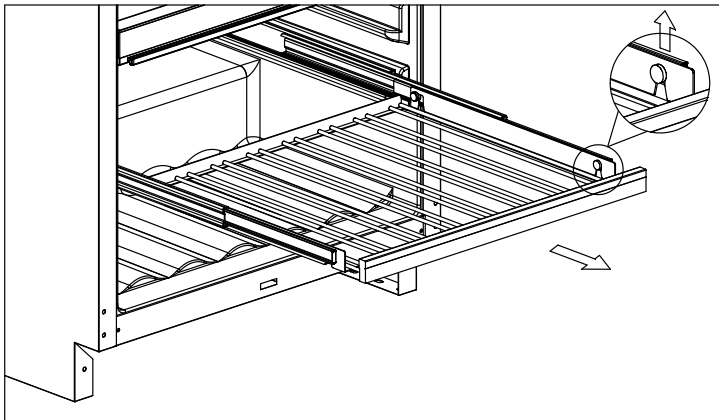
 The alarm symbol will illuminate to show the alarm is on. This will activate when either the door has been left open for a long period of time, or the temperature has fluctuated too high or low (HI or LO will also show in display to confirm this).

USING THE SHELVES

To prevent damaging the door gasket, make sure to have the door opened fully when pulling shelves out of the rail compartment.

REMOVING OR INSTALLING SHELVES

1. Fully extend the shelf you wish to remove
2. Lift the front of the shelf up to remove from the front clips
3. Holding onto the shelf runner, push the shelf in and then pull up at the back to release from the rear clips.



Glass shelves are available if you wish to store cans or smaller bottles such as beer in your wine cabinet. These can be purchased directly from www.caple.co.uk

HOW TO REPLACE THE CHARCOAL FILTER

1. Open the door and remove the top 2 shelves (see removing the shelves).
2. Turn the filter as per Fig A.
3. As per Fig B, the filter should line up with the notches as shown.
4. Pull filter out (Fig C).
5. Insert replacement filter and twist as per Fig A to lock into position.
6. Re-install the shelves.

NOTE:

The charcoal filter should be replaced every 3-6 months depending on the unit's exposure level to odour.

Visit www.caple.co.uk to purchase the replacement charcoal filters.

Fig. A - Locked

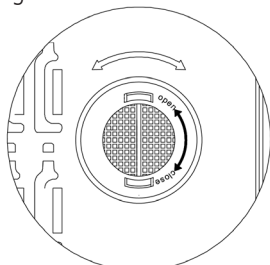


Fig. B - Unlocked

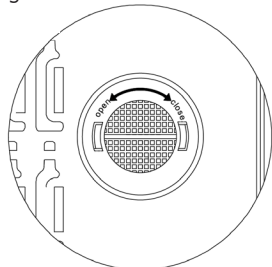
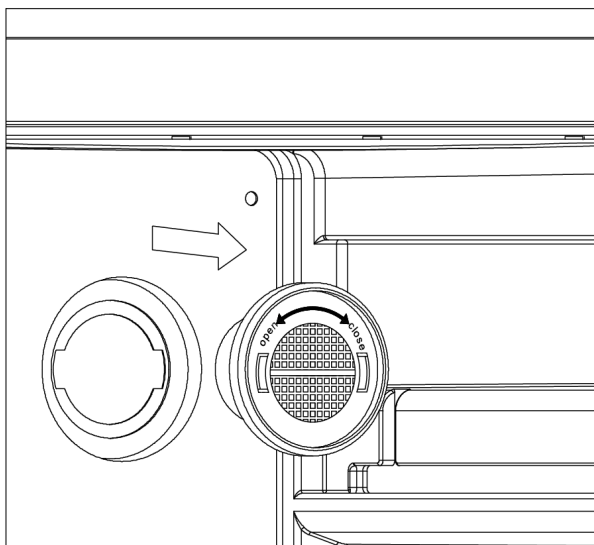
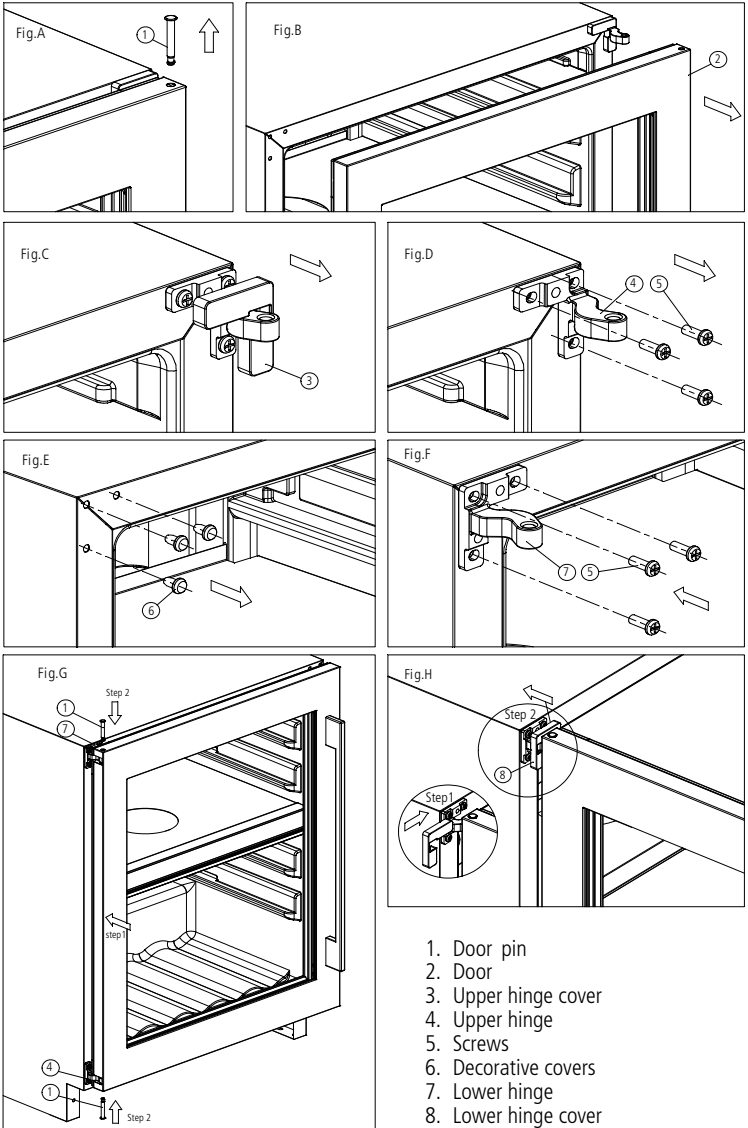


Fig. C



HOW TO CHANGE THE DOOR OPENING

This appliance has reversible doors but is delivered with a right hinged door. The left hand hinge kit comes with the unit (in the box), should you wish to reverse the hinge on your unit follow the directions below:



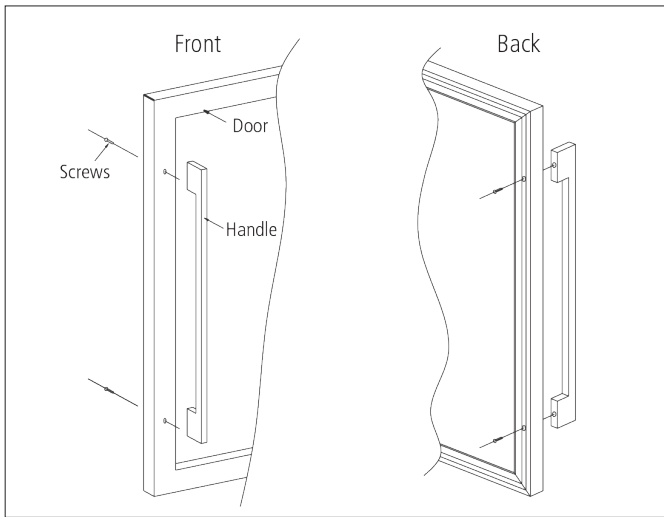
1. Door pin
2. Door
3. Upper hinge cover
4. Upper hinge
5. Screws
6. Decorative covers
7. Lower hinge
8. Lower hinge cover

1. Remove the door pin(1) from both the upper and lower hinge, as shown in Fig A.
2. Take the door(2) off and keep it in a safe place, where it wont get damaged.
3. As shown in Fig C, take off the lower hinge cover(3) and upper hinge cover(8).
4. Remove all of the screws(5) from the upper(4) and lower(7) hinge as shown in Fig D.
5. Remove the upper and lower decorative covers(6) as shown in Fig E.
6. Please note when reversing the door, the right upper hinge will become the left lower hinge, the right lower hinge will become the left upper hinge. Therefore please fix the right upper hinge(4) at the left lower hinge position, and fix the right lower hinge(7) at the left upper hinge position using the screws(5) provided, as per Fig F.
7. Turn the door 180 degrees. Place the door on the hinges, and re insert the upper and lower door pin(1) as shown in Fig G.
8. Open the door at 90 degrees, install the upper hinge cover(3) and lower hinger cover(8) as shown in Fig H.

INSTALLING THE HANDLE

Remove the door gasket on the drilled holes side to install the handle (see below drawing).
Fix the handle to the screws and push the gasket back into place.

Visit our caple website to view a 'How to video' at www.caple.co.uk

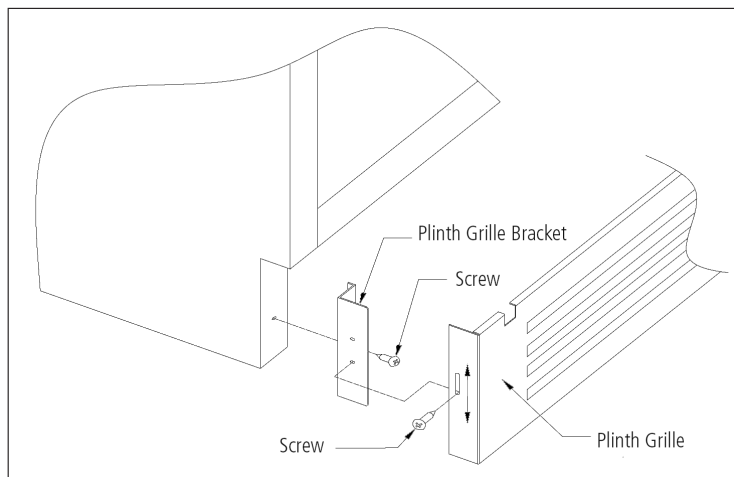


Scan the QR code below to access the 'How to video'



INSTALLING THE FULL HEIGHT PLINTH GRILLE

Take out the full height plinth grille and the brackets from the accessories box. Fix the brackets to the cabinet with screws provided and fix both sides of the grille to the brackets with the 2 supplied screws as shown in below diagram.



NOTE: To be installed with a 150mm plinth height.

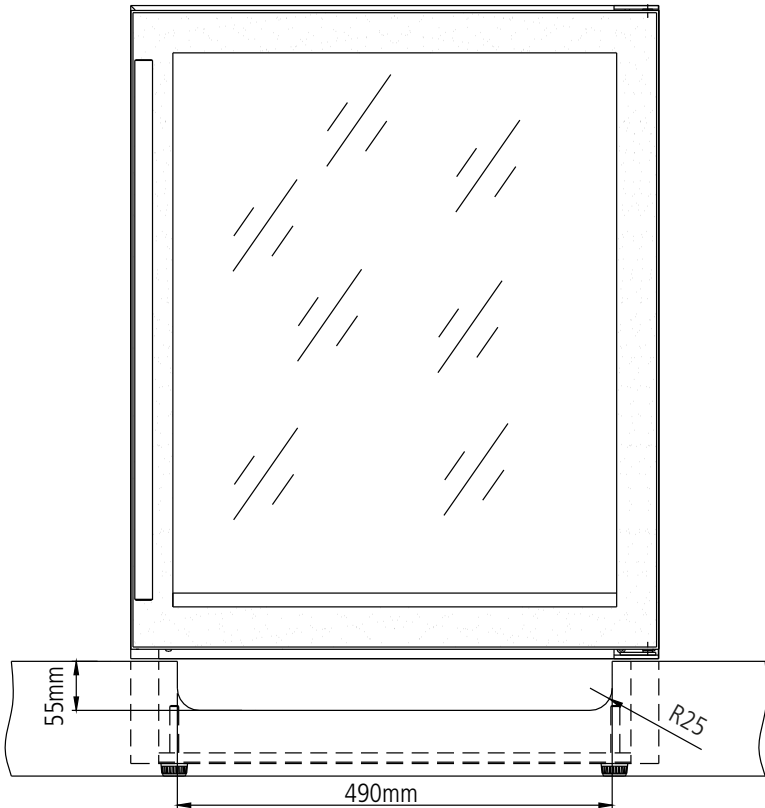
If you wish to reduce your plinth height, the smaller, slot-on plinth grille (see page 19) should be used.

Full height plinth grille only included with Wi6150.

FITTING A KITCHEN PLINTH

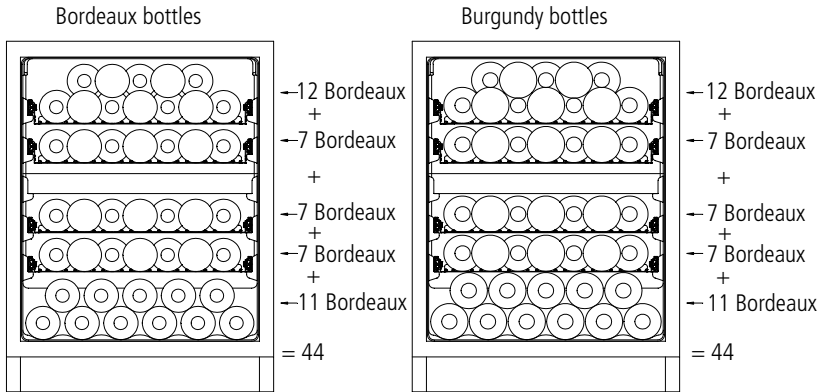
The model is also supplied with a slot-on plinth grille if the previous method/grille is not preferred. A H55mm vent slot is required in the plinth to ensure air is able to ventilate correctly. See diagram below.

NOTE: Failure to include this vent slot will invalidate the guarantee.

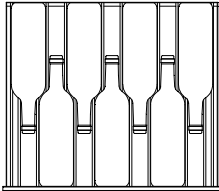


WINE BOTTLE STACKING

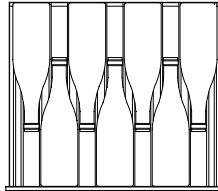
Stores max. 44 Bordeaux style bottles 750ml.



Full Shelves



Full Shelves



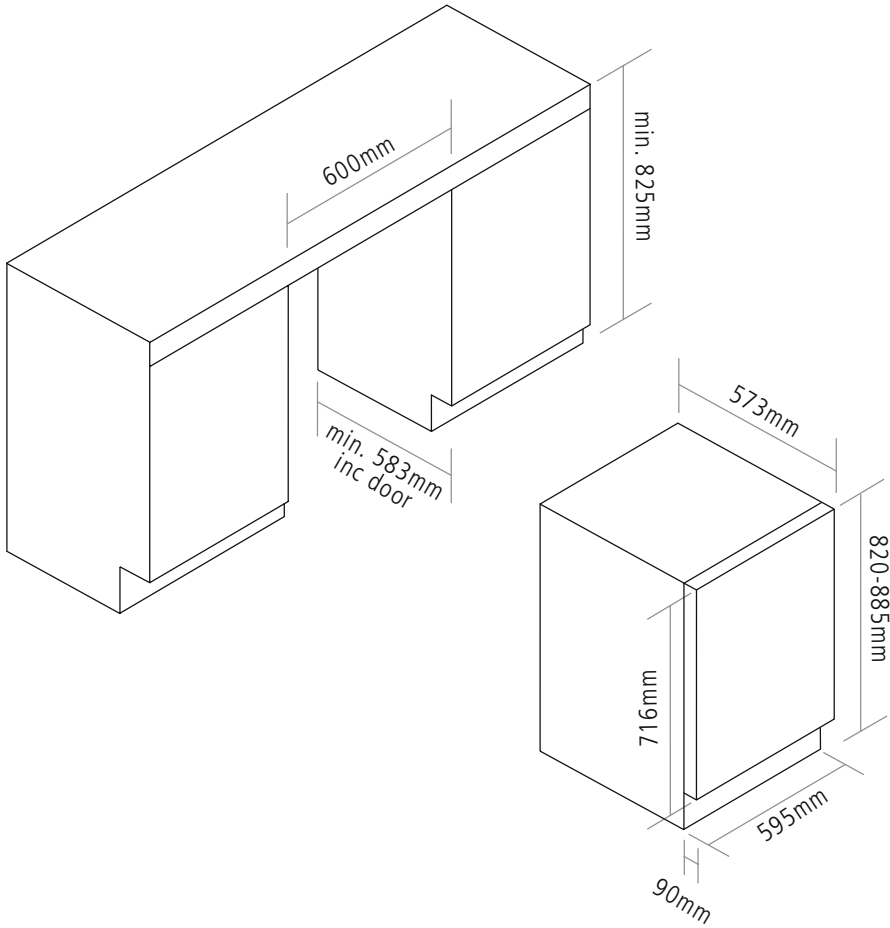
Stores max. 20 Bordeaux style bottles 750ml.

NOTE:

If you wish to store other style bottles i.e champagne, the maximum storage capacity will be less than as shown above.

Shelves may also need to be removed to allow more bottles to be stored.

INSTALLATION DIMENSIONS

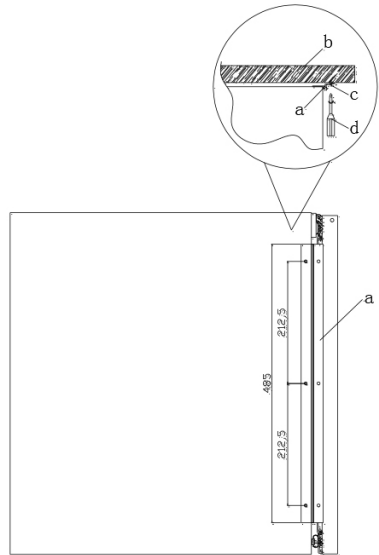


FIXING THE TOP FIXING BRACKET

After installing the wine cabinet, please open the door, adjust the fixing bracket (a) and fix this in position with three screws (c) using a screwdriver (d) into the work surface (b).

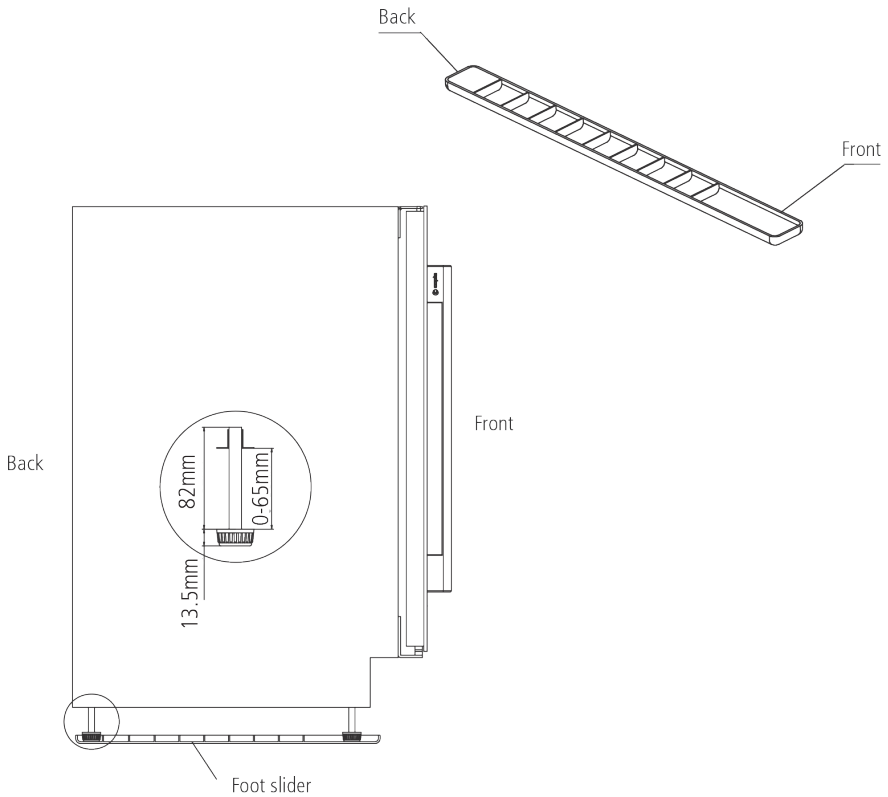
- A. Top fixing bracket
- B. Work surface
- C. Screw
- D. Screwdriver

This bracket will keep the product secure and help prevent it moving when in use.



USING THE FOOT SLIDERS

If you want to adjust the height over 820mm, please install the product using the foot sliders provided. These are provided to help prevent the feet catching on the floor when sliding the appliance into the aperture. Place the back foot in the location marked 'Back' below and the front foot in the location marked 'Front'. Once fitted to both sides of the wine cabinet the appliance can be gently positioned into the aperture, taking care not to place excess pressure on the feet when locating the cabinet.



CARE AND MAINTENANCE

CLEANING YOUR WINE CABINET

- › Turn off the power, unplug the appliance, and remove all items including shelves and rack.
- › Wash the inside surfaces with a warm water and baking soda solution. The solution should be about 2 tablespoons of baking soda to 2 pints of water.
- › Wash the shelves with a mild detergent solution.
- › Wring excess water out of the sponge or cloth when cleaning area of the controls, or any electrical parts.
- › Wash the outside cabinet with warm water and mild liquid detergent. Rinse well and wipe dry with a clean soft cloth.

POWER FAILURE

Most power failures are corrected within a few hours and should not affect the temperature of your appliance if you minimise the number of times the door is opened. If the power is going to be off for a longer period of time, you need to take the proper steps to protect your contents.

HOLIDAY

SHORT HOLIDAYS: Leave the wine cabinet operating during holidays of less than three weeks.

LONG HOLIDAYS: If the appliance will not be used for several months, remove all items and turn off the appliance. Clean and dry the interior thoroughly. To prevent odour and mould growth, leave the door open slightly (blocking it open if necessary).

MOVING YOUR WINE CABINET

- › Remove all items.
- › Securely tape down all loose items (shelves) inside your appliance.
- › Turn the adjustable leg up to the base to avoid damage.
- › Tape the door shut.
- › Be sure the appliance stays secure in the upright position during transportation. Also protect outside of appliance with a blanket, or similar item.

ENERGY SAVING TIPS

The wine cabinet should be located in the coolest area of the room, away from heat producing appliances, and out of the direct sunlight.

CLOSING THE DOOR

Close the door with care as slamming the door puts excess stress on the appliance and can cause the door to bounce open slightly. If this is not noticed, it can cause excess moisture to build up in the cabinet which in extreme cases can lead to the evaporation tray overflowing.

TROUBLESHOOTING GUIDE

You can solve many common wine cabinet problems easily, saving you the cost of a possible service call. Try the suggestions below to see if you can solve the problem before calling

CAPLE SERVICE.

| PROBLEM | POSSIBLE CAUSE |
|--|--|
| The wine cabinet does not operate | Not plugged in. The appliance is turned off. The circuit breaker tripped or a blown fuse. |
| The wine cabinet is not cold enough | Check the temperature control setting. External environment may require a higher setting. The door is opened too often. The door is not closed completely. The door gasket does not seal properly. |
| The compressor turns on and off frequently | The room temperature is hotter than normal. A large amount of contents has been added to the wine cabinet. The door is opened too often. The door is not closed completely. The temperature control is not set correctly. The door gasket does not seal properly. |
| The light does not work | Not plugged in. The circuit breaker tripped or a blown fuse. The bulb has burned out. The light button is "OFF". |
| Vibrations | Check that the appliance is even |
| The Wine cabinet seems to make too much noise. | The rattling noise may come from the flow of the refrigerant, which is normal. As each cycle ends, you may hear gurgling sounds caused by the flow of refrigerant in your wine cabinet. Contraction and expansion of the inside walls may cause popping and crackling noises. The wine cabinet is not level. |
| The door will not close properly | The wine cabinet is not level. The door was reversed and not properly installed. The gasket is dirty. The shelves are out of position. |

If the above table has not solved the problem please contact Caple Service by phone on **0117 938 7420** or by email **service@caple.co.uk**

DEFROSTING/CONDENSATION

Your wine cabinet is designed with an "Auto-cycle" defrost system. When the RUN cycle is OFF, the refrigerated surface of the wine cabinet (interior rear wall) defrosts automatically. The defrosted water is channelled into a drain pan which is located at the back of the cabinet next to the compressor from where it evaporates.

HUMIDITY SYSTEM

The wine cabinet is equipped with a system for maintaining the correct level of humidity. If humidity is too low, insert the small plastic reservoir on to the top shelf. Fill this reservoir 3/4 full with water. Check the water level occasionally and refill as necessary.

SPARE PARTS AVAILABILITY

The original spare parts for some specific components are available for a minimum of 7 or 10 years, based on the type of component, from the placing on the market of the last unit of the model.

For more info and to order spares, please contact Caple service or visit our website www.caple.co.uk.

RECOMMENDED TEMPERATURES

RECOMMENDED STORAGE TEMPERATURES:

| BEVERAGE | RECOMMENDED TEMPERATURE |
|--------------------------------|-------------------------|
| For storing all types of wines | 12°C to 14°C |

RECOMMENDED DRINKING TEMPERATURES:

| BEVERAGE | RECOMMENDED TEMPERATURE |
|--|-------------------------|
| Champagne NV, Sparkling | 6°C |
| Champagne Vintage | 10°C |
| Dry White Semillon, Sauvignon Blanc | 8°C |
| Dry White Gewürztraminer, Riesling | 10°C |
| Dry White Chardonnay | 10°C |
| Vintage Chardonnay | 14°C |
| Sweet White Sauternes Monbazillac, Late Harvest ice wine | 10°C |
| Sweet whites vintage Sauternes | 14°C |
| Beaujolais | 13°C |
| Red Pinot Noir | 16°C |
| Vintage Pinot Noir red | 18°C |
| Red Cabernet, Merlot, French, Australian, New Zealand, Chilean, Argentinean, Italian, Spanish, Californian | 18°C |
| Red Grenache, Syrah | 16°C |

NOTES:

NOTES:

NOTES:



Caple Service
Fourth Way
Avonmouth
Bristol
BS11 8DW

T: 0117 938 1900
E: service@caple.co.uk
www.caple.co.uk