

Instruction manual for slot-in wine cabinet

Model code: Wi6130/Wi6130WH



CONTENTS

Important safety instructions	3
Installation instructions	4
Before using your wine cabinet	4
Operating you wine cabinet and setting the temperature	5
Using the shelves	6
How to change the door opening	7
Fitting a kitchen plinth	8
Installation dimensions	8
Fixing the top bracket	9
Using the foot sliders	9
Care and maintenance	10
Troubleshooting guide	11
Caple Service contact details	11
Defrosting/condensation	12
The humidity system	12
Recommended storage temperatures	12
Recommended drinking temperatures	12

WARNINGS

- To prevent damaging the door gasket, make sure the door is fully open when pulling shelves out of the rail compartment.
- The appliance must be positioned so that the plug is accessible. Release the electric cord and move your cabinet to its final location. Do not move your cabinet while loaded with wine as you may distort the body.
- The wine cabinet should be installed in a suitable place in order to avoid touching the compressor with the hand.
- If the supply cord is damaged, it must be replaced by a Caple service agent or a similarly qualified person in order to avoid a hazard.

PLEASE DO NOT TRY TO EXTEND THE ELECTRICAL CABLE IN ANY WAY.

IMPORTANT SAFETY INSTRUCTIONS

⚡ WARNING ⚡

To reduce the risk of fire, electrical shock, or injury when using your appliance, follow these basic precautions:

- Read all instructions before using the wine cabinet.
- DANGER or WARNING: Risk of child entrapment.
- Child entrapment and suffocation are not problems of the past. Junked or abandoned appliances are still dangerous . . . even if they will “just sit in the garage a few days”.
- Before you throw away your old wine cabinet: Take off the door, leaving the shelves in place so that children cannot easily climb inside.
- Never allow children to operate, play with, or crawl inside the appliance.
- Never clean appliance parts with flammable fluids. The fumes can create a fire hazard or explosion.
- Do not store or use gasoline or any other flammable vapours and liquids in the vicinity of this or any other appliance. The fumes can create a fire hazard or explosion.
- The refrigerant of this appliance is R600a, flammable and explosive articles should not be put in or near the cabinet, to avoid the risk of fire or explosion.
- This appliance can be used by children aged from 8 years and above and persons with reduced physical, sensory or mental capabilities or lack of experience and knowledge if they have been given supervision or instruction concerning use of the appliance in a safe way and understand the hazards involved. Children shall not play with the appliance. Cleaning and user maintenance shall not be made by children without supervision.

Please keep this instruction manual for future reference

INSTALLATION INSTRUCTIONS

Before using your wine cabinet

- Remove the exterior and interior packing.
- Before connecting the wine cabinet to the power source, let it stand upright for approximately 12 hours. This will reduce the possibility of a malfunction in the cooling system from handling during transportation.
- Clean the interior surface with lukewarm water using a soft cloth.
- These appliances cannot be disposed of with general waste. When disposing of your appliance, please choose an authorised disposal site.

Installation of your wine cabinet

- Place your wine cabinet on a floor that is strong enough to support it when it is fully loaded. To level your wine cabinet, adjust the front levelling leg at the bottom of the cabinet.
- This appliance is using flammability refrigerant. never damage the cooling pipework during the transportation. Locate the Wine cooler away from direct sunlight and sources of heat (stove, heater, radiator, etc.). Never clean appliance parts with flammable fluids. The fumes can create a fire hazard or explosion. When disposing your appliance, please choose an authorized disposal site.
- Avoid locating the unit in moist areas.
- Plug the wine cabinet into an exclusive, properly installed-grounded wall outlet. Do not under any circumstances cut or remove the third (ground) pin from the plug. Any questions concerning power and/or grounding should be directed toward a certified electrician or an authorised Caple service centre.

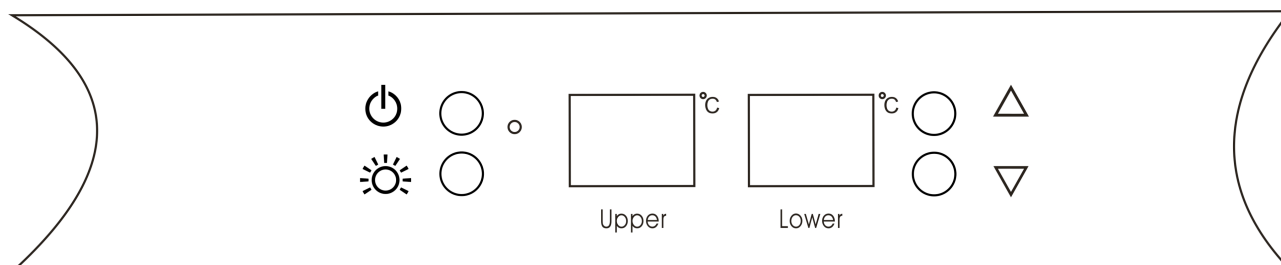
Attention








- Store wine in sealed bottles
- Do not overload the cabinet
- Do not open the door unless necessary
- Do not cover shelves with aluminium foil or any other shelf material which may prevent air circulation
- Should the wine cabinet be stored without use for long periods it is suggested, after a careful cleaning, to leave the door ajar to allow air to circulate inside the cabinet in order to avoid possible formations of condensation, mould or odours.
- This appliance is intended to be used in household and similar applications such as:
 - Farm houses and other residential type environments;
 - Bed and breakfast type environments;
 - non-retail applications
- Warning: Keep ventilation openings, in the appliance enclosure or in the built-in structure, clear of obstruction;
- Warning: Do not use mechanical devices or other means to accelerate the defrosting process, other than those Recommended by the manufacturer;
- Warning: Do not damage the refrigerant circuit;
- Warning: Do not use electrical appliances inside the food storage compartments of the appliance, unless they are the type recommended by the manufacturer.

OPERATING YOUR WINE CABINET AND SETTING THE TEMPERATURE

Please use the cabinet within a ambient temperature of 5-32°C, if the ambient temperature is higher or lower than this, it will cause a temperature fluctuation in the cabinet and may prevent it reaching 5-18 °C.

Control Panel



- "  " **Button**
Switches the interior light ON/OFF
- "  "
- "  " **Button**
Turns this appliance turn on/off. (press and hold this buttons for approximately 3 seconds).
- "  " **Button**
To set the temperature in the upper compartment: The temperature setting can be adjusted from 5°C to 10°C. When pressing this button, the system will enter the set up mode for the upper compartment automatically. The LED will flashing and display the set temperature.
Press the button once and the temperature will decrease by 1 degree. When exceeding the minimum value that can be established, it will jump to the highest adjustable temperature value automatically. After 5 seconds the LED figure will stop flashing.
- "  " **Button**
Used to set the temperature in lower compartment: The temperature setting can be adjusted from 10C to 18C When pressing this button, the system will enter the set up mode for the upper compartment automatically. Setting details are the same as above.
- "Upper" **Window**
Displays the temperature in the upper compartment.
- "Lower" **Window**
Displays the temperature in the lower compartment.
- After the unit is unplugged, the system will return to the factory set temperature. The temperatures are shown below:
Upper compartment: 6°C
Lower compartment: 12°C
- To view the actual temperature at anytime press and hold the temperature adjustment button ( or ) for approximately 5 seconds, the actual temperature will temporarily flash in the LED display for 5 Seconds. After this it will revert back to the set temperature.

Flashing LED = Cabinet Temperature
Steady LED = Set Temperature

Note

- If the unit is unplugged, power is lost, or turned off you must wait 3 to 5 minutes before restarting the unit. If you attempt to restart before this time delay, the wine cabinet will not start.
- When you use the wine cabinet for the first time or restart the cabinet after having been shut off for a long time, there could be a few degrees variance between the temperature you select and the one indicated on the LED readout. This is normal and it is due to the length of the activation time. Once the wine cabinet is running for a few hours everything will be back to normal.

Internal light

In order to reduce energy consumption, the LED light within this wine cabinet will automatically switch off after 10 minutes. If you would prefer the LED light to remain on continuously, this is possible. Please press and hold the "LIGHT" button for 5 seconds, the display will show "LP". After 4 seconds the display will revert back to normal and the light will remain on until manually switched off.

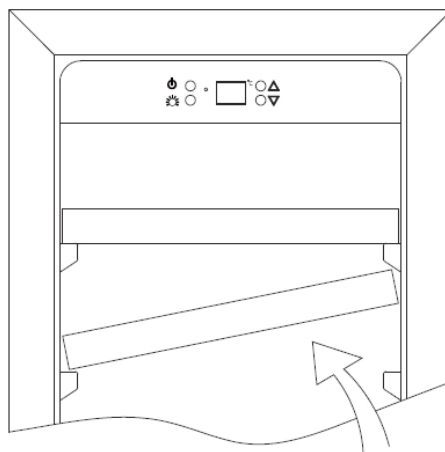
If you would like to revert back and conserve energy (recommended), press and hold the "LIGHT" button for 5 seconds, the display will show "LF". After 4 seconds the display will revert back to normal, and the light will automatically switch off after 10 minutes.

Using the shelves

- To prevent damaging the door gasket, make sure you have the door opened fully when pulling shelves out of the rail compartment.
- For easy access to the storage content, you must pull the shelves approximately 1/3 out of the rail compartment, however this unit was designed with a notch on each sides of the shelf tracks to prevent bottles from falling.

Removing or installing shelves

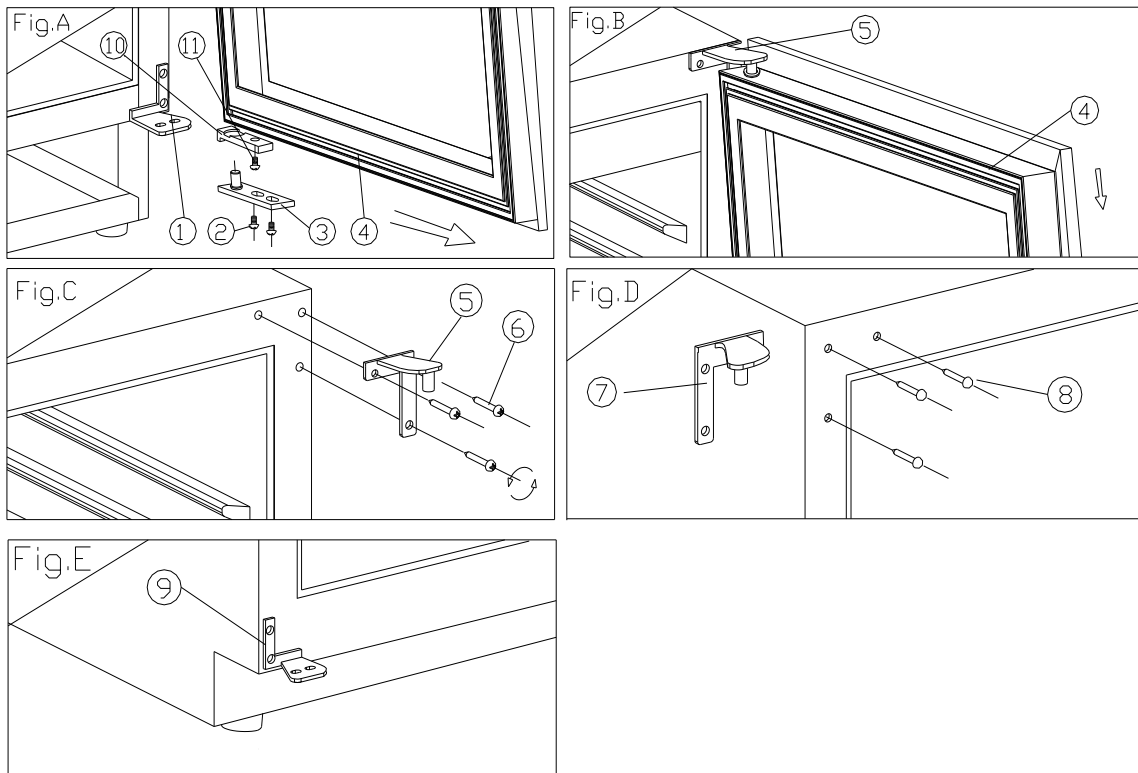
- When removing any of the shelves out from rail compartment, tilt the shelf as per the diagram and simply pull out, or when installing push the shelf in until it sits on the support brackets securely.



How to change the door opening

This appliance has reversible doors, but is delivered with a right hinged door. The left hand hinge kit comes with the unit (in the box), should you wish to reverse the hinge on your unit please follow the below directions.

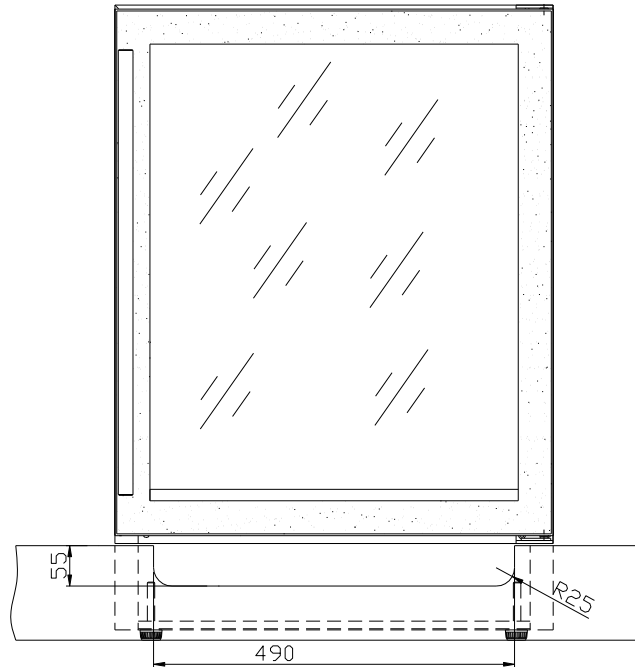
- | | | |
|------------------------|----------------------|-----------------------|
| 1. Lower hinge (Right) | 2 . Screws | 3 .Door axis |
| 4. Door | 5. Top hinge (Right) | 6. Hinge Screws |
| 7. Top hinge (Left) | 8. Decorative nail | 9. Lower hinge (Left) |
| 10. Door limit device | 11. Screw | |



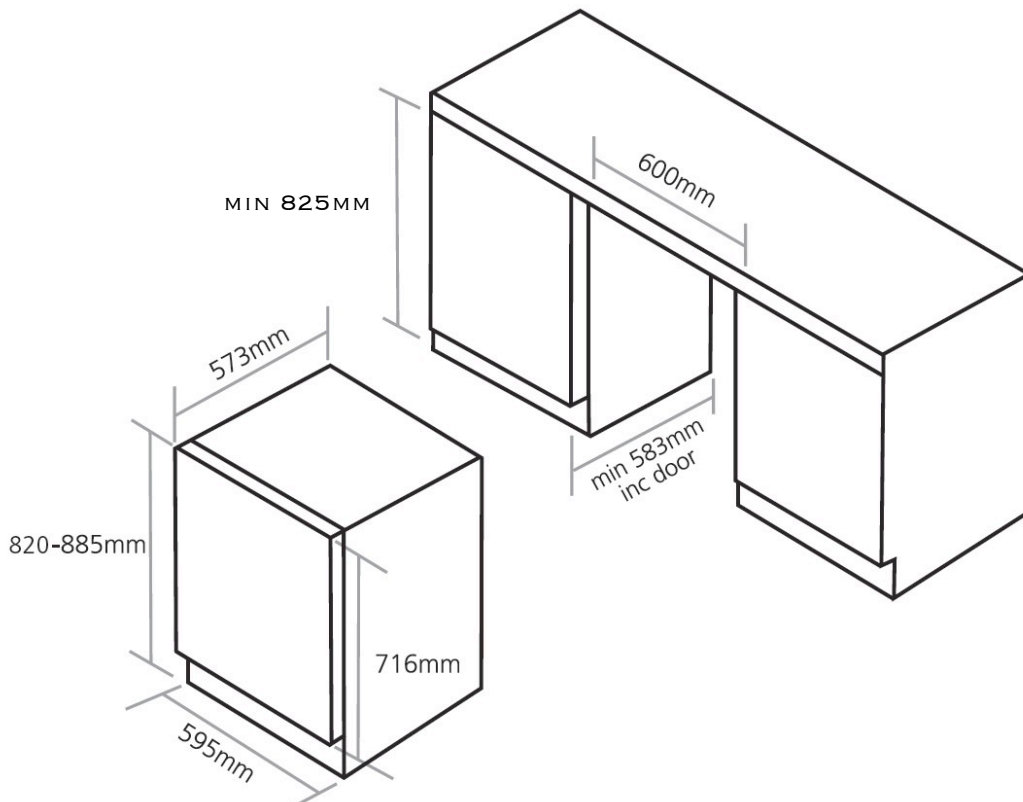
1. Open the door to a 90 degree angle, take out the 2 screws (2) from lower door axis (3), remove the door (4) and the axis plate (3) from the door, (Fig. A).
2. Unscrew the screw (11) located underneath the door frame and the limit device (10), and relocate it at the left end side of the door frame. (Fig. A/B)
3. Take out the 3 hinge screws (6) from the top right hinge (5) and remove it. (Fig. C)
4. Remove the decorative nails (8) from the top left of the cabinet and install the spare top hinge (Left) (7) at top left of the cabinet with 3 screws. (Fig. D)
5. Following the above procedure, install the spare lower hinge to the left (9). (Fig. E)
6. Install the door once correctly aligned.
7. Insert the plastic decorative nails to cover the holes (8).

Fitting a kitchen plinth

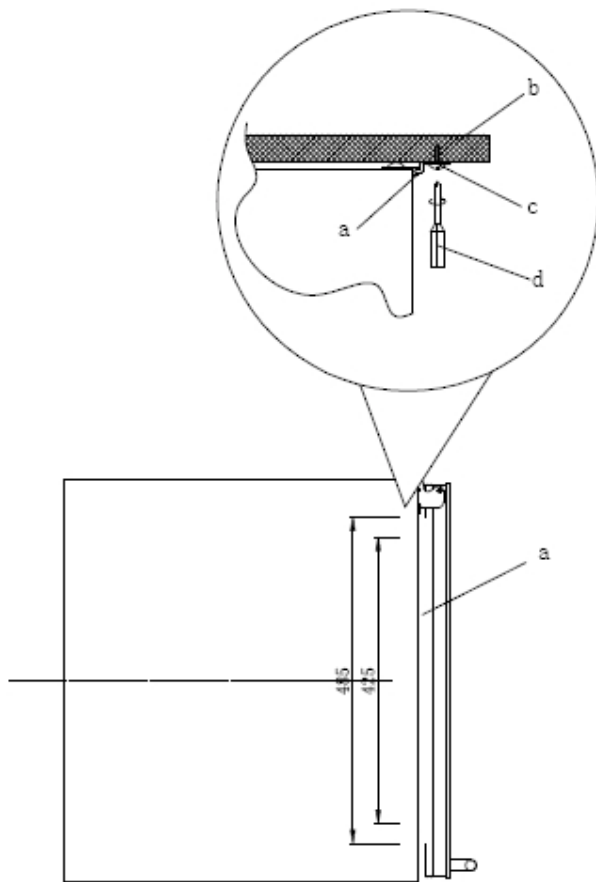
This model is recessed to fit a kitchen plinth. A H55mm vent slot is required in the plinth to ensure air is able to ventilate the appliance correctly, please see the below diagram. Failure to include this vent slot will invalidate the guarantee. Alternatively a Caple GRILL/SENSE600 stainless steel plinth grill can be installed.



Installation diagram



Fixing the top bracket



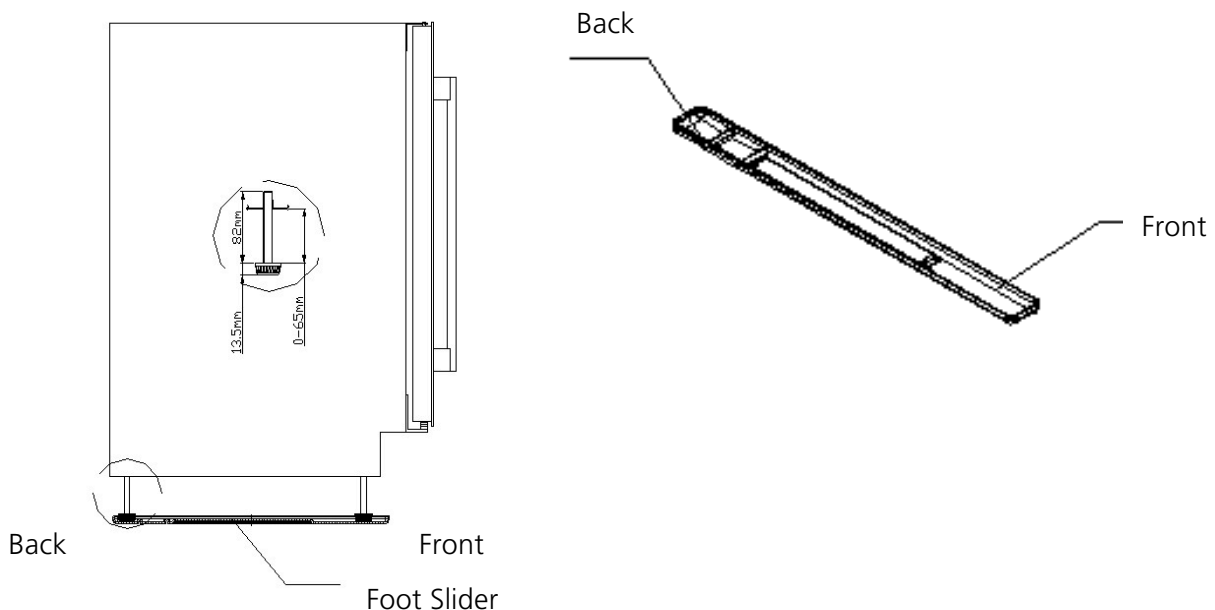
After installing the wine cabinet, please open the door, adjust the fixing bracket (a) and fix this in position with three screws (c) using a screwdriver (d) into the work surface/kitchen cabinet.

- a) Top fixing bracket
- b) Kitchen Cabinet
- c) Screw
- d) Screwdriver

This bracket will keep the product secure and help prevent it moving when in use

Using the foot sliders

If you want to adjust the height over 820mm, please install the product using the foot sliders provided. These are provided to help prevent the feet catching on the floor when sliding the appliance into the aperture. Place the back foot in the location marked 'Back' below and the front foot in the location marked 'Front'. Once fitted to both sides of the wine cabinet the appliance can be gently positioned into the aperture, taking care not to place excess pressure on the feet when locating the cabinet.



Care and maintenance

Cleaning your wine cabinet

- Turn off the power, unplug the appliance, and remove all items including shelves and rack.
- Wash the inside surfaces with a warm water and baking soda solution. The solution should be about 2 tablespoons of baking soda to 2 pints of water.
- Wash the shelves with a mild detergent solution.
- Wring excess water out of the sponge or cloth when cleaning area of the controls, or any electrical parts.
- Wash the outside cabinet with warm water and mild liquid detergent. Rinse well and wipe dry with a clean soft cloth.

Power failure

- Most power failures are corrected within a few hours and should not affect the temperature of your appliance if you minimise the number of times the door is opened. If the power is going to be off for a longer period of time, you need to take the proper steps to protect your contents.

Vacation time

- Short vacations: Leave the wine cabinet operating during vacations of less than three weeks.
- Long vacations: If the appliance will not be used for several months, remove all items and turn off the appliance. Clean and dry the interior thoroughly to prevent odour and mould growth, leave the door open slightly, blocking it open if necessary.

Moving your wine cabinet

- Remove all items.
- Securely tape down all loose items (shelves) inside your appliance.
- Wind the adjustable legs up to the base to avoid damage.
- Tape the door shut.
- Be sure the appliance stays secure in the upright position during transportation. Also protect outside of appliance with a blanket, or similar item.

Energy saving tips

- The wine cabinet should be located in the coolest area of the room, away from heat producing appliances, and out of the direct sunlight.

Problems with your wine cabinet

You can solve many common wine cabinet problems easily, saving you the cost of a possible service call. Try the suggestions below to see if you can solve the problem before calling Caple Service.

Troubleshooting Guide

Problem	Possible Cause
The wine cabinet does not operate.	Not plugged in. The appliance is turned off. The circuit breaker tripped or a blown fuse.
The wine cabinet is not cold enough.	Check the temperature control setting. External environment may require a higher setting. The door is opened too often. The door is not closed completely. The door gasket does not seal properly.
The compressor turns on and off frequently.	The room temperature is hotter than normal. A large amount of contents has been added to the wine cabinet. The door is opened too often. The door is not closed completely. The temperature control is not set correctly. The door gasket does not seal properly.
The light does not work.	Not plugged in. The circuit breaker tripped or a blown fuse. The bulb has burned out. The light button is "OFF".
Vibrations.	Check to ensure that the wine cabinet is level.
The wine cabinet seems to make too much noise.	The rattling noise may come from the flow of the refrigerant, which is normal. As each cycle ends, you may hear gurgling sounds caused by the flow of refrigerant in your wine cabinet. Contraction and expansion of the inside walls may cause popping and crackling noises. The wine cabinet is not level.
The door will not close properly.	The wine cabinet is not level. The door was reversed and not properly installed. The gasket is dirty. The shelves are out of position.

Caple Service contact details

If after using the Troubleshooting Guide you have been unable to solve the problem, please contact Caple Service by telephoning 0117 938 7420 or alternatively email service@caple.co.uk.

Wine cabinet accessories can be purchased from our online shop at www.caple.co.uk

Defrosting/condensation

Your wine cabinet is designed with an "Auto-cycle" defrost system. When the RUN cycle is OFF, the refrigerated surface of the wine cabinet (interior rear wall) defrosts automatically. The defrosted water is channelled into a drain pan which is located at the back of the cabinet next to the compressor from where it evaporates.

Humidity system

The wine cabinet is equipped with a system for maintaining the correct level of humidity. If humidity is too low, insert the small plastic reservoir on to the top shelf. Fill this reservoir 3/4 full with water. Check the water level occasionally and refill as necessary.

Recommended storage temperatures

For storing ALL TYPES OF WINES 12 °c to 14 °c

Recommended drinking temperatures

Champagne NV, Sparkling	6 °c
Champagne Vintage	10 °c
Dry White Semillon, Sauvignon Blanc	8 °c
Dry White Gewürztraminer, Riesling	10 °c
Dry White Chardonnay	10 °c
Vintage Chardonnay	14 °c
Sweet White Sauternes Monbazillac, Late Harvest ice wine	10 °c
Sweet whites vintage Sauternes	14 °c
Beaujolais	13 °c
Red Pinot Noir	16 °c
Vintage Pinot Noir red	18 °c
Red Cabernet, Merlot, French, Australian, New Zealand, Chilean, Argentinean, Italian, Spanish, Californian	18 °c
Red Grenache, Syrah	16 °c

Caple
Fourth Way
Avonmouth
Bristol
BS11 8DW

www.caple.co.uk