

# ■ CAPLE ■

## **INSTRUCTIONS FOR USE**

### **WINE CABINETS**

### **WCi46B & Wi6122 Slot-in**

### **WF331 Freestanding**

**For Spare Parts, Technical Advice  
or Product Service call the  
CAPLE HELPLINE on 0870 850 8734**

Thank you for buying your new CAPLE Wine Cabinet. To ensure that you get the best results from your new purchase, we strongly suggest that you read this instruction manual thoroughly before use. This manual contains installation advice, usage instructions and other important facts about your CAPLE Wine Cabinet. If treated with care, your CAPLE Wine Cabinet should give you many years of trouble-free use.

### IMPORTANT WARNINGS AND ADVICE

- Unpack your wine Cabinet carefully and remove all of the protective packing from inside and outside.
- Packing (plastic bags, polystyrene, nails, metal, etc.) must not be left within the reach of children as they are a potential source of danger.
- After unpacking, make sure that the appliance is in perfect order. If you have any doubt, do not use it and contact your retailer.
- Check that all the fittings are in the correct position on the inside of the cabinet.
- Release the mains lead which is fitted with a 13 amp UK type plug.
- Move your wine Cabinet to its final location.
- **DO NOT MOVE YOUR CABINET WHILE LOADED WITH WINE** as this could distort the cabinet.
- Ensure that the specified ventilation instructions are adhered to.
- Do not try to modify the appliance's technical characteristics as this could be dangerous
- This appliance should only be used for the specific purpose for which it was designed, i.e. storage of wine. It is not designed for food storage.
- Do not clean or maintain the appliance without disconnecting it first.
- To prevent damaging the door gasket, make sure that the door is fully open when pulling shelves out.
- Ensure that you fully understand these instructions before operating this appliance.
- Caple are NOT responsible for: -
  1. Damage caused by incorrect, mistaken or irrational use.
  2. For any errors in this manual, or for any damage linked to or following the provision, performance or use of any wine Cabinet.
- The information in this document is subject to modification without prior notice.

### DISPOSAL OF OLD APPLIANCE

#### **Discarded appliances are potentially dangerous to CHILDREN.**

#### **Before you throw away your old Wine Cabinet:**

- **Remove the door. Leave the shelves in place so that children cannot easily climb inside.**
- **Never allow children to operate, play with, or climb inside the appliance.**

## INSTALLATION INSTRUCTIONS

**BEFORE TURNING THE WINE CABINET ON ENSURE IT IS PERFECTLY LEVEL.** This will minimise any vibrations.

Your cabinet is equipped with 4 adjustable feet. However, we recommend that you tighten the back feet to the maximum and then use the front feet to level the cabinet.

**IMPORTANT: WAIT 2 HOURS BEFORE TURNING THE WINE CABINET ON FOR THE FIRST TIME.**

### SAFETY INSTRUCTIONS

#### **Freestanding model WF331**

- The place you have selected for your cabinet should be well ventilated.
- This is a FREESTANDING product and the sides and top of the cabinet must have a clear 10cm air gap to allow for cooling.
- A minimum 10cm space must be left between the wall and the back of the cabinet.

#### **Slot-in model WCi46B / Wi6122**

- A fan evacuates heat via the bottom vents.
- It must be installed well away from any heat source.
- It must not be placed in direct sun light.
- It must not be in a damp location (laundry, pantry, bathroom, etc)
- It must be perfectly level.
- It must have a correctly installed and reliable electricity supply correctly earthed.
- Use of a multi-socket or extension lead is not recommended.
- This wine Cabinet must be earthed to provide protection in the event of an electrical short circuit.
- It is fitted with a power cord having an earth wire terminating in a 13amp plug.
- Consult a qualified electrician or service engineer if the earthing instructions are not completely understood.

**WARNING: INCORRECT EARTHING CAN RESULT IN THE RISK OF ELECTRIC SHOCK.**

## **DOOR REVERSAL**

WE RECOMMEND THAT SOMEONE ASSISTS YOU DURING THIS PROCESS. TOOLS REQUIRED: PHILIPS SCREWDRIVER. (A BOTTOM LEFT HAND HINGE IS SUPPLIED WITH EACH CABINET.)

- Lay the unit on its back.
- Remove the three (3) screws from the bottom hinge and remove the bottom hinge.

**NOTE: Keep this hinge in a safe place in the event you ever need to revert back to a right hand door swing.**

- Remove the door from the cabinet and carefully set aside.
- Remove the two (2) plastic screw covers located on top of the hinge cover.
- Remove the screws holding the hinge cover to the top hinge.
- Remove the three (3) plastic screw covers from the top hinge.
- Remove the top hinge.
- Remove the three (3) plastic screw covers from the top left side of the wine cabinet.
- Install the top hinge on the left side of the unit and secure with three (3) screws.
- Install the hinge cover back on the top hinge.
- Install the two (2) plastic screw covers to the top right hand side of the cabinet.
- Carefully install the door on the cabinet. (Insert upper door into top hinge pin.)
- Using the left hand bottom hinge (To order), insert the hinge pin into the bottom of the door. (Align the hinge holes with the holes in the cabinet, and secure to cabinet with three (3) screws.
- Check alignment of door and door seal before tightening screws.
- Tighten all hinge screws.
- Place unit in the upright position.

### **Stainless Steel Plinth for WCi46B & Wi6122** (Supplied separately)

When the wine cabinet is installed in its final position the stainless steel plinth should be fitted. Remove the protective tape from the adhesive strips on the rear of the plinth and then place firmly in position onto the bottom vents.

**THE FLOW OF AIR THROUGH THE GRILL MUST NOT BE OBSTRUCTED AT ANY TIME. FAILURE TO ADHERE TO THIS WILL INVALIDATE THE GUARANTEE.**

## OPERATING INSTRUCTIONS

The wine cabinet should be placed where the ambient temperature is between 0-35 deg centigrade (32-95 degrees Fahrenheit). If the ambient temperature is above or below this range, the performance of the unit may be affected. For example, placing your unit in extreme cold or hot conditions may cause interior temperatures to fluctuate. The range of 5-18 °C (40-65 degrees Fahrenheit) may not be reached.

There are 2 different temperature control systems:

For WCi46B & Wi6122 Electrical dual zone, slot-in model

For WF331           Mechanic control, freestanding model.

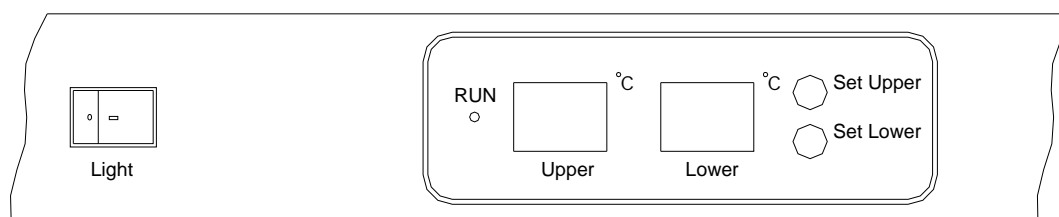
Before starting the wine cabinet, ensure that the cabinet is level. This will eliminate any vibrations.

Note: -

The power (RUN) indicator light is located on the LED control panel inside the unit and illuminates when the compressor (cooling) cycle is working and turns off when the compressor (cooling) cycle is finished.

## SETTING THE TEMPERATURE CONTROLS

### ELECTRICAL DUAL ZONE (Model Wci46B & Wi6122)



1. Each cooling compartment of the wine cooler (upper & lower) is independently controlled.
2. **To set the temperature:** Connect the power cord to a properly grounded outlet. In the event of a power interruption, all previous temperature settings are automatically erased and each compartment will default to a preset temperature setting of: 6°C for upper compartment and 12°C for lower compartment.
3. Set the desired cooling temperature by pressing the buttons adjacent to the “set upper/set lower” program. Each depression of the buttons will scroll through the available temperature settings (for each compartment) in increments of 1 degree. The temperature selected will flash in the LED display for approximately 5 seconds, then revert back to display the temperature of the internal cabinet
4. **Upper compartment:** The temperature setting can be adjusted from 5°C to 10°C.
5. **Lower compartment:** The temperature setting can be adjusted from 10°C to 18°C.
6. To view the “set” temperature. (anytime) press and hold the corresponding button for approximately 5 seconds, the “set” temperature will temporarily “flash” in the LED display for 5 seconds.
7. Flashing LED = Set Temperature
8. Steady LED = Cabinet Temperature
9. This unit has the option to display temperatures in either Celsius or Fahrenheit. To change the setting, press and hold both buttons (Set Upper/Set Lower) simultaneously for approximately 5 seconds, a prompt (beep) will sound and the blue pilot light adjacent to the C or F mode illuminates.

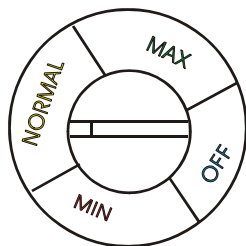
#### **NOTE:**

To temporarily disconnect (stop) the cooling cycle, you must disconnect the power cord from the electrical outlet. NOTE: There is no “OFF” position on the electronic control panel. When disengaging cooling (operation) for long periods of time, leave the door partially open to prevent mould/mildew from forming inside the cabinet.

#### **NOTE:**

Always wait 4 minutes before restarting the unit if operation has been interrupted.

## MANUAL CONTROL (Model WF331)



1. The initial setting is NORMAL. Please run the wine cabinet empty at least 30 minutes before adjustment.
2. "MAX" can be adjusted from 5 °c to 9 °c . "NORMAL" can be adjusted from 10 °c to 14 °c . "MIN" can be adjusted from 15 °c to 18 °c.
3. The interior lights operate "automatically" with the opening/closing of the door. The light turns on when the door is open and turns off when the door is closed.

### NOTE:

- If the unit is unplugged, if power is lost, or turned-off, you must wait 3 to 5 minutes before restarting the unit. If you attempt to restart before this time delay, the wine Cabinet will not start.
- When you use the wine cabinet for the first time or restart the wine cabinet after it has been switched off for a long time, there could be a few degrees variance between the temperature you select and the one indicated on the LED readout. This is normal and it is due to the length of the activation time. Once the wine cabinet has been running for a few hours, the temperature display will re-gain accuracy.

### DEFROSTING/CONDENSATION

Your wine cabinet is designed with an "Auto-cycle" defrost system. During the "Off Cycle" the refrigerated surfaces of the wine cabinet (interior rear wall) defrost automatically. The defrost water is channeled into a condensate drain pan which is located at the back of the wine cabinet next to compressor from where it evaporates.

### CARE AND MAINTENANCE

Upon receiving your wine cooler, leave the door open for 24 hours.

To clean, turn off the power, unplug the appliance, and remove all items including shelves and rack. Wash the inside surfaces with a warm water and baking soda solution. The solution should be about two tablespoons of baking soda to one litre of water. Wash the shelves with a mild detergent solution. Wring excess water out of the sponge or cloth when cleaning the control panel, or any electrical parts.

Wash the outside cabinet with warm water and mild liquid detergent. Rinse well and wipe dry with a clean soft cloth.

### HUMIDITY MAINTENANCE SYSTEM

The wine cabinet is equipped with a system for maintaining the correct level of humidity. If humidity is too low, insert the small plastic reservoir on to the top rack of the wine cooler. Fill

this reservoir 3/4 full with water. Check water level occasionally and refill as necessary.

### **POWER FAILURE**

Most power failures are corrected within a few hours and should not affect the temperature of your appliance if you minimise the number of times the door is opened. If the power is going to be off for a longer period of time, you need to take action to protect the contents.

### **VACATION TIME**

**Short vacations:** Leave the wine Cabinet operating during vacations of less than three weeks.

**Long vacations:** If the wine Cabinet will not be used for several months, remove all items and disconnect. Clean and dry the interior thoroughly. To prevent odour and mould growth, leave the door open slightly (blocking it open if necessary).

### **MOVING YOUR WINE CABINET**

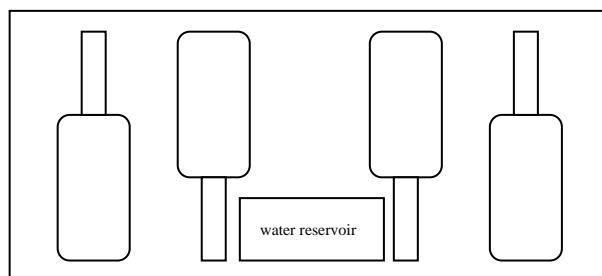
- Remove all bottles.
- Securely tape down all shelves inside the cabinet.
- Turn the adjustable legs up to the base to avoid damage.
- Tape the door shut.
- Be sure the appliance stays secure and upright during transportation. Also protect the outside of the wine Cabinet. (e.g. with a blanket).

### **ENERGY SAVING TIPS**

The wine cabinet should be located in the coolest area of a room, away from heat producing appliances, and out of the direct sunlight.

### **STORAGE OF WINE WCi46B / Wi6122**

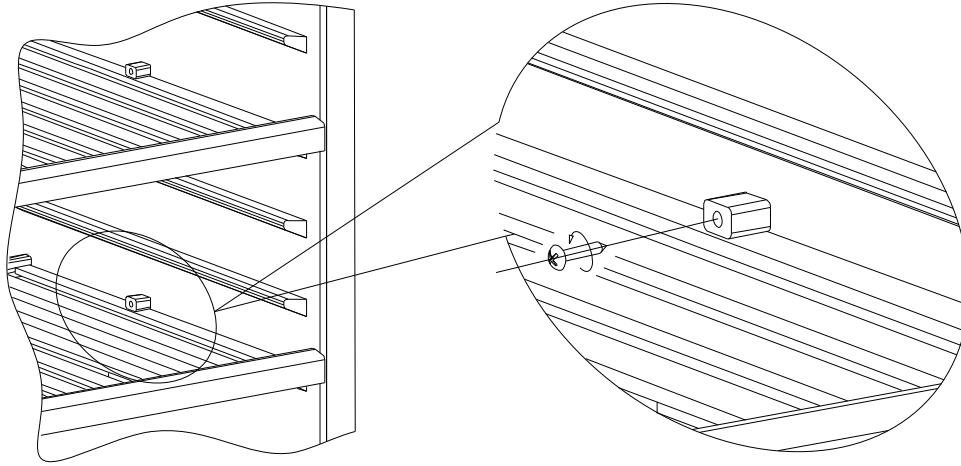
The water reservoir should be positioned in the centre of the top rack in each compartment if used. To achieve maximum storage capacity, position the bottles alternately on the racks. (See below diagram)





**Installation of Shelves (For Wi6122, Wci46B, WF331)**

Firstly remove both of the plastic posts with the Phillips screwdriver, then pull on onward direction to remove the shelf.



## TROUBLE SHOOTING GUIDE

You can solve many common Wine Cabinet problems easily, saving you the cost of a possible service call. Try the suggestions below to see if you can solve the problem before calling the service engineer.

PROBLEM	POSSIBLE CAUSE
Wine Cabinet does not operate.	Not plugged in. The appliance is turned off. The circuit breaker tripped or a blown fuse.
Wine Cabinet is not cold enough.	Check the temperature control setting. External environment may require a higher setting. The door is opened too often. The door is not closed completely. The door gasket does not seal properly.
Turns on and off frequently.	The room temperature is hotter than normal. A large amount of contents has been added to the wine Cabinet. The door is opened too often. The door is not closed completely. The temperature control is not set correctly. The door gasket does not seal properly.
The light does not work.	Not plugged in. The circuit breaker tripped or a blown fuse. The bulb has burned out. The light button is "OFF".
Vibrations.	Check to assure that the Wine Cabinet is level.
The Wine Cabinet seems to make too much noise.	The rattling noise may come from the flow of the refrigerant, which is normal. As each cycle ends, you may hear gurgling sounds caused by the flow of refrigerant in your Wine Cabinet. Contraction and expansion of the inside walls may cause popping and crackling noises. The Wine Cabinet is not level.
The door will not close properly.	The Wine Cabinet is not level. The door was reversed and not properly installed. The gasket is dirty. The shelves are out of position.

**RECOMMENDED TEMPERATURE**

For keeping ALL TYPES OF WINES

12 °c to 14 °c

**Wine service temperature (Provided as an indicator only)**

Champagne NV, Sparkling	6 °c
Champagne Vintage	10 °c
Dry White Semillon, Sauvignon Blanc	8 °c
Dry White Gewurstraminer, Riesling	10 °c
Dry White Chardonnay	10 °c
Vintage chardonnay	14 °c
Sweet White Sauternes Monbazillac, Late Harvest ice wine	10 °c
Sweet whites vintage Sauternes	14 °c
Beaujolais	13 °c
Red Pinot Noir	16 °c
Vintage Pinot noir red	20 °c
Red Cabernet, Merlot, French, Australian, New Zealand, Chilean, Argentinean, Italian, Spanish, Californian	20 °c
Red Grenache, Syrah	16 °c