



# WI6112

Caple 600mm Slot-in wine cellar

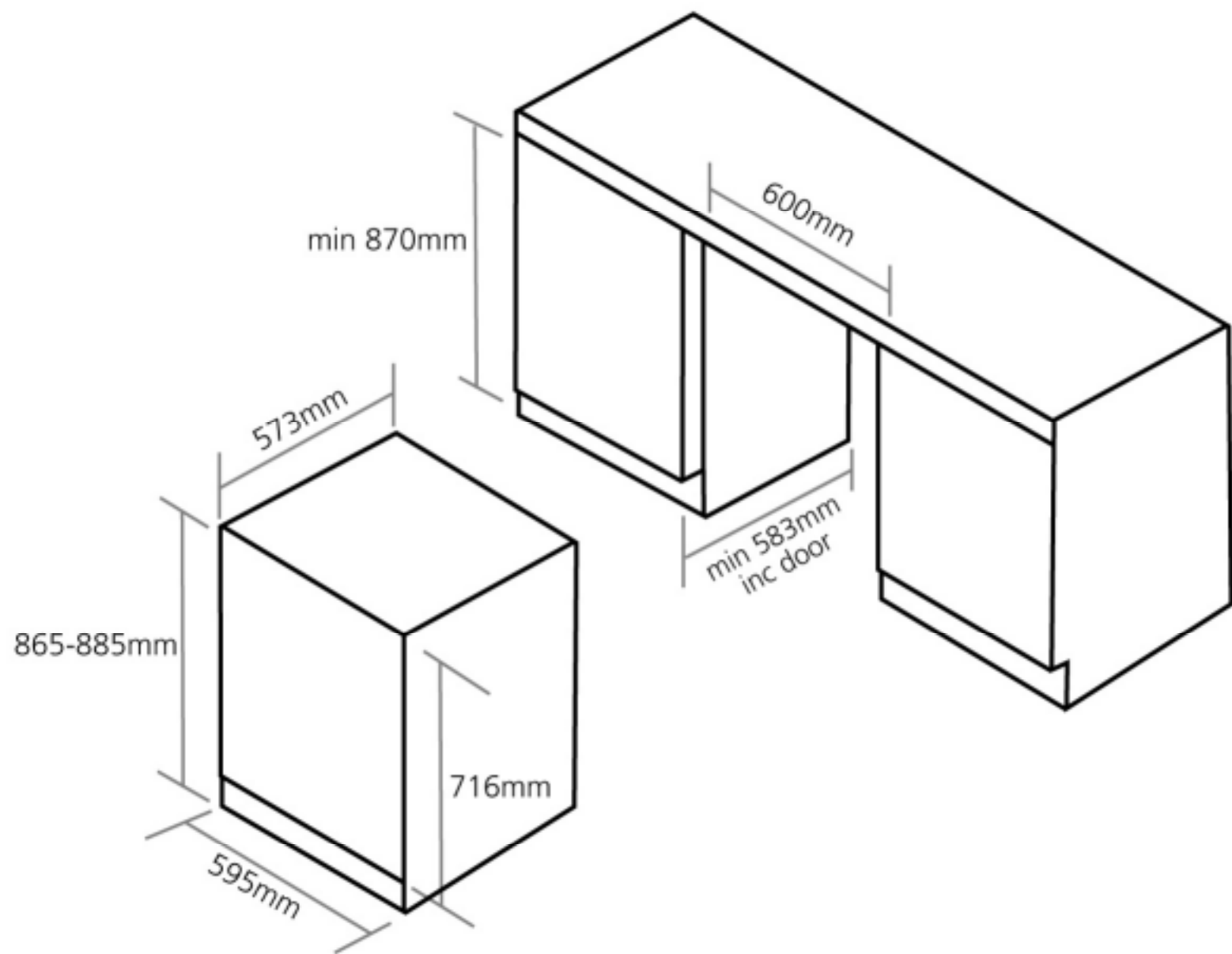


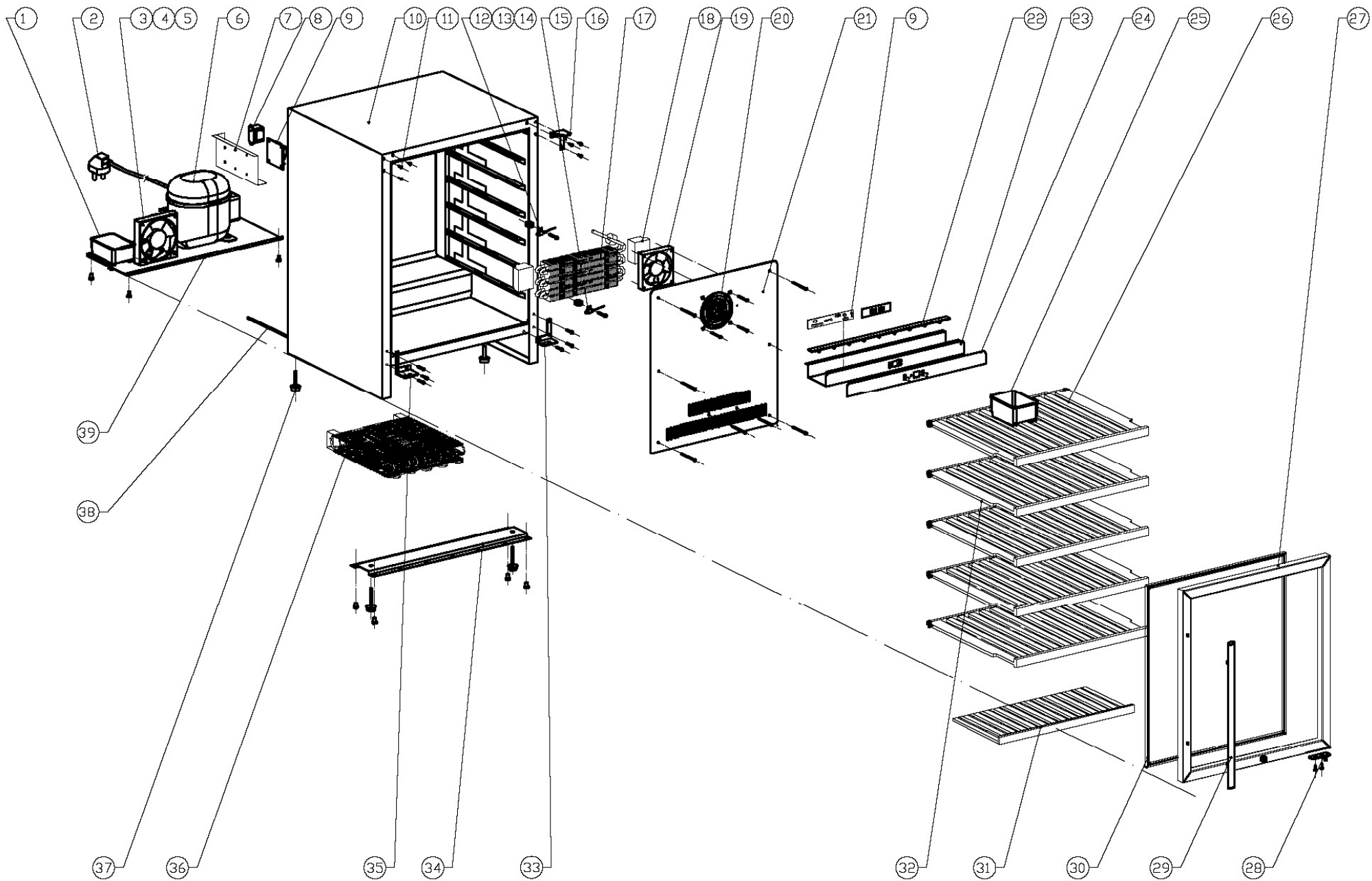
## TECHNICAL INFORMATION



# WI6112

Caple 600mm Slot-in wine cellar





**caple** **WI6112**  
 Caple 600mm Slot-in  
 Wine Cabinet

8 7 6 5 4 3 2 1



## WI6112 Parts List

Item	Part No.	Description	Qty
1	DG13-1	Water tank	1
2	DG2-14	Power cord	1
3	DG7-23	Condenser fan	1
4	DG14-56	Bracket of fan (pair)	2
5	DG19-3	Fan cover	1
6	DG1-35	Compressor	1
7	DG13-272	PCB board cover	1
8	DG6-15	Transformer	1
9	DG3-99	PCB board	1
10	DG26-28	Cabinet	1
11	DG13-268	Decorative nail	3
12	DG13-7	Shelf support	2
13	DG20-1	Wire clamp	2
14	DG8-7-W	Senser	1
15	DG8-7-R	Senser	1
16	DG14-126-SR	Top hinge module ( Right)	1
17	DG12-1	Evaporator	1
18	DG18-64	foam	2
19	DG7-3.1-BH	Evaporator fan	1
20	DG19-6	Fan cover	1
21	DG22-111	Air duct board	1
22	DG3-17-W	LED LIGHT	1
23	DG22-379	Electrical box	1
24	DG20-166	Display panel	1
25	DG13-1.2	Humid box	1
26	DG15-157-1	Wooden shelves NEWA6A	1
27	DG23-9.2	Door	1
28	DG14-116	Lower hinge	1
29	DG14-58	handle	1
30	M184-006	Gasket	1
31	DG15-33	Wooden shelves NEW G2	1
32	DG15-157	Wooden shelves NEWA6	4
33	DG14-122-SR	Lower hinge module(Right)	1
34	DG22-88	Support bracket of front legs	1
35	DG14-122-SL	Lower hinge module ( Lelf)	1
36	DG12-15	Condenser	1
37	DG13-6.11	Cabinet leg, type BC50N	4
38	DG12-82	Air-circulating pipe	1
39	DG22-80	Compressor bracket	1
附	DG22-284	Decorative frame	1

室内感温头 Sensor of upper compartment

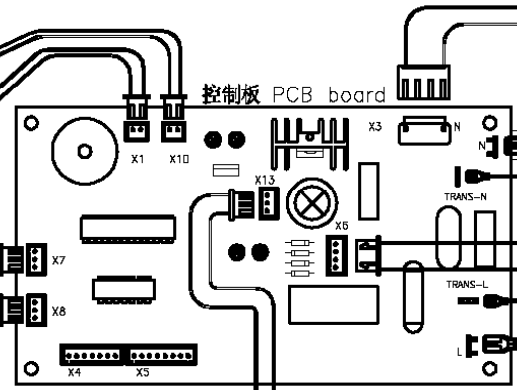
除霜感温头 Sensor of upper compartment



DC室外风机 outside fan motor DC

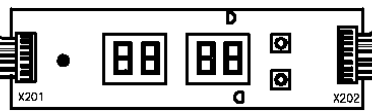


室内风机 Fan motor of lower compartment

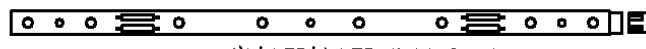


控制板 PCB board

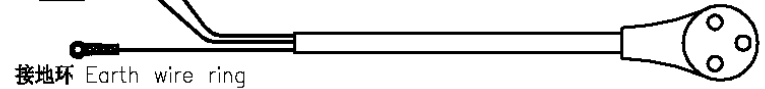
变压器 Transformer



显示板 Display board



室内LED灯 LED light for lower compartment



接地环 Earth wire ring

灯开关 Lamp switch

压缩机 Compressor



WI6112

Caple 60cm wine cabinet

8 7 6 5 4 3 2 1

D C A B A