



WI3114

Caple 30cm wine cabinet

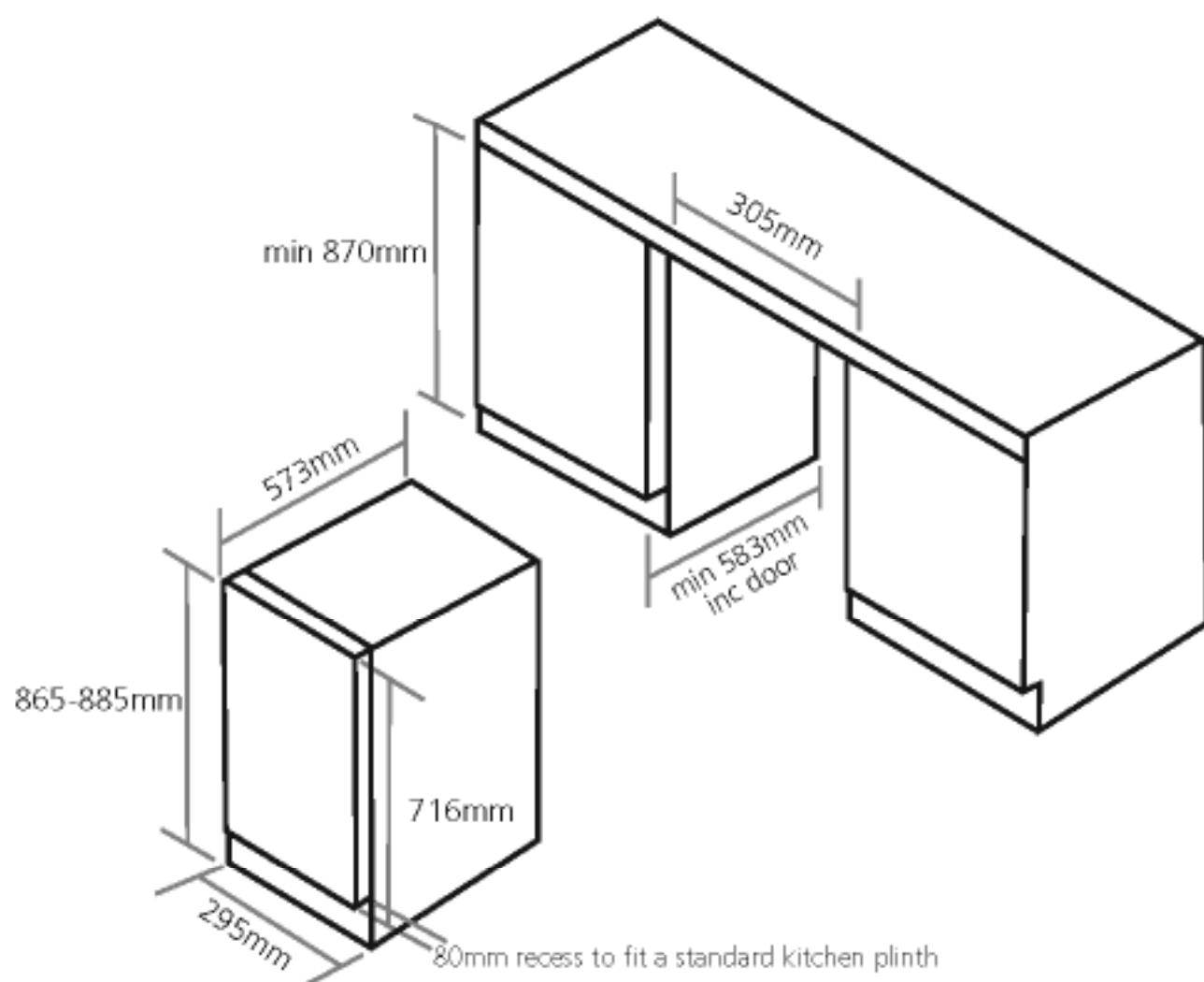


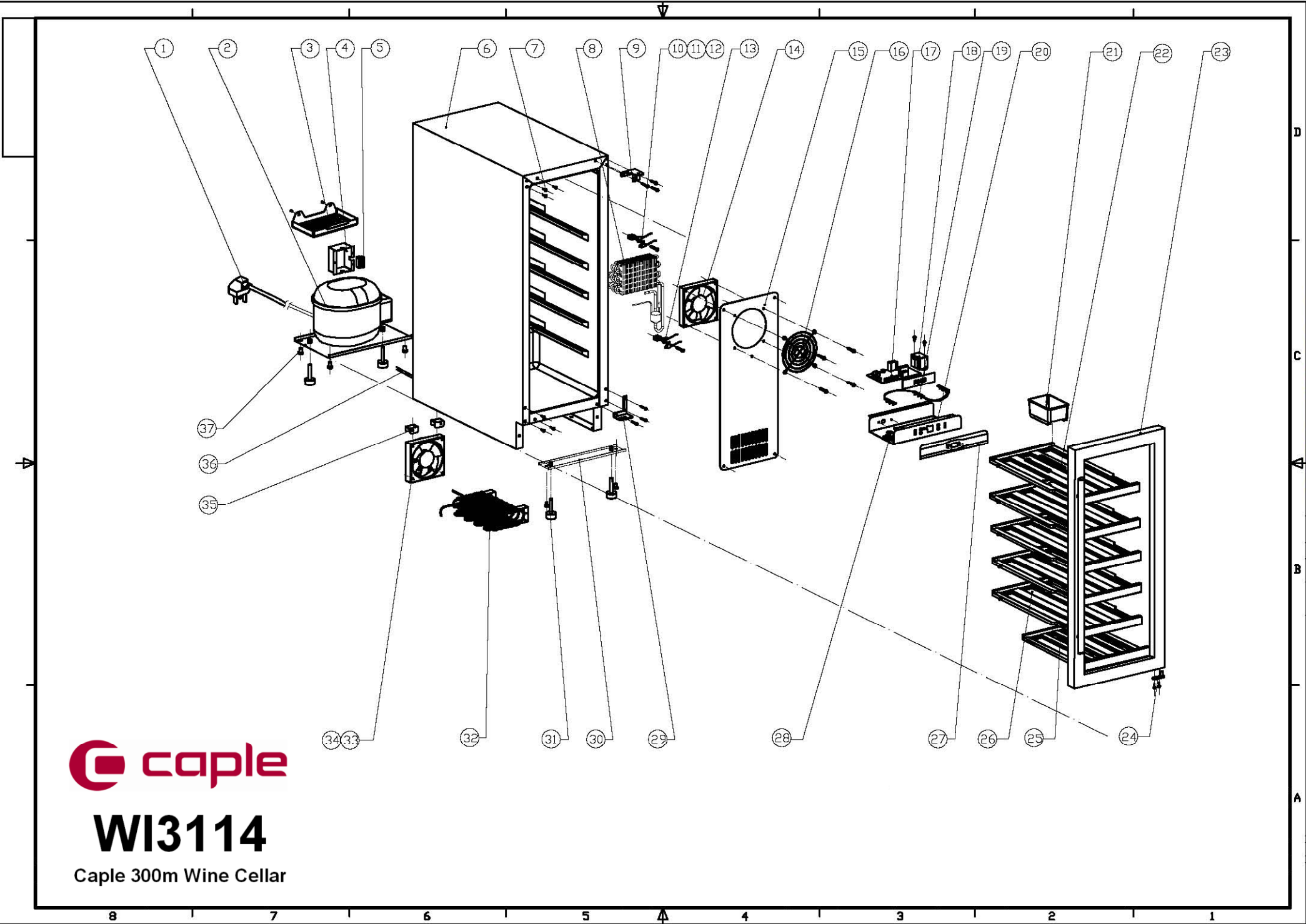
TECHNICAL INFORMATION



WI3114

Caple 30cm wine cabinet





WI3114

Caple 300m Wine Cellar



WI3114 Caple 30cm wine cabinet

Item	Part No.	Description	Qty
1	DG2-3	Power cord	1
2	DG1-33	Compressor	1
3	DG13-199	Water tank	1
4	DG13-2	Electrical box cover	1
5	DG11-2	Junction block	1
6	DG26-80	Cabinet	1
7	DG13-268	Decorative nail	6
8	DG12-44	Evaporator	1
9	DG14-154-R	Top hinge module	1
10	DG13-7	Shelf support	2
11	DG20-1	Wire clamp	2
12	DG8-7-W	Senser	1
13	DG8-7-R	Senser	1
14	DG7-3	Evaporator Fan	1
15	DG22-38	Air duct board	1
16	DG19-1	Fan cover	1
17	DG3-46-2	PCB board	1
18	DG6-7	Transformer	1
19	DG3-12-W	LED Light	1
20	DG22-394	Electrical box	1
21	DG13-1.2	Humid box	1
22	DG15-141-1	Wooden shelf A15A	1
23	DG23-115	Door	1
24	DG14-116	Door Axis	1
25	DG15-27-2	Wooden shelf	1
26	DG15-141	Wooden shelvesA15	4
27	DG20-168	Display panel	1
28	DG13-127	LED Lamp holder	3
29	DG14-121-BR	Lower hinge module	1
30	DG22-40	Support bracket of front legs	1
31	DG13-6.11	Cabinet leg	4
32	DG12-3	Condenser	1
33	DG7-3.2	Condenser fan	1
34	DG19-3	Fan cover	1
35	DG14-56	Bracket of fan (pair)	1
36	DG12-58	Air-circulating pipe	1
37	DG22-39	Compressor bracket	1