

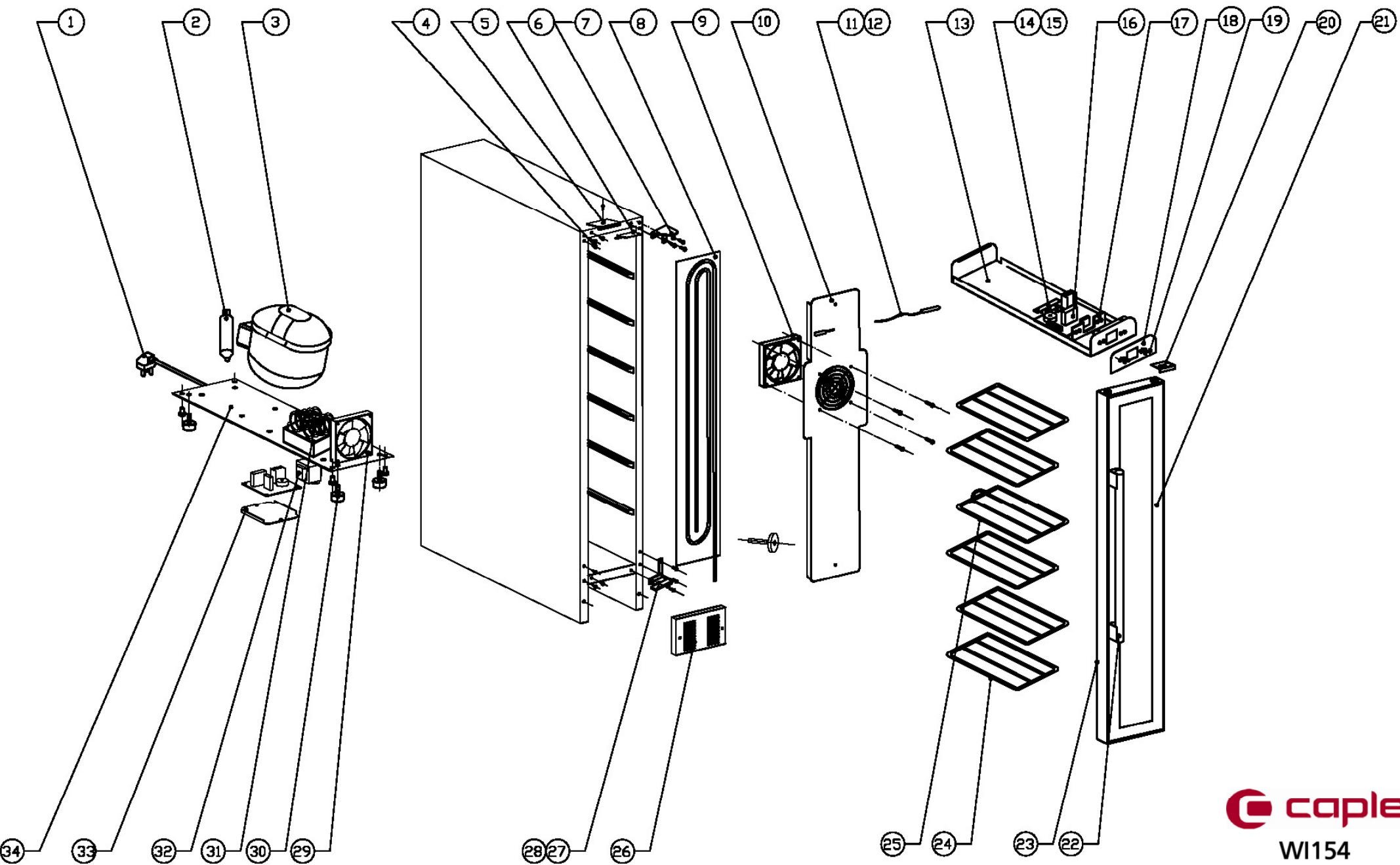


# WI154

Caple 15cm wine cabinet



**Technical information**



**caple**

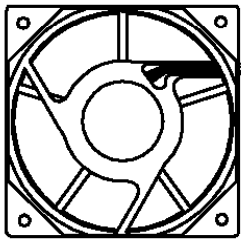
WI154

Caple 15cm wine cabinet



## WI154 - Caple 15cm wine cabinet

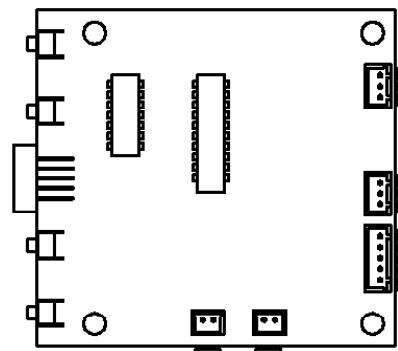
Item	Part Code	Description	Qty
1	DG2-14	Power cord	1
2	DG11-45	Drier filter	1
3A	DG1-58	Compressor	1
3B	PJ1-002-A	Start Device	1
3C	PJ1-026-B	Overload Protector	1
4A	DG13-8	Decorative nail	3
4B	DG13-268	Decorative nail	3
5	DG13-3147	Fixing bracket A	1
6	DG13-3150	Fixing bracket B	1
7	DG14-205-SR	Top right hinge	1
8	DG12-77-1	Evaporator	1
9A	DG7-41-BH	Evaporator fan	1
9B	DG17-144-1	Wire	1
10	DG22-397	Air duct board	1
11	DG8-7-W	Sensor	1
12	DG8-7-R	Sensor	1
13	DG22-396	Electrical box	1
14	DG3-41-W	LED light	1
15	DG13-127	LED light Cover	1
16	DG3-42-3	PCB board	1
17	DG13-348	Button gasket	1
18	DG20-258	Display panel film	1
19	DG13-130-S	Button	4
20	DG22-3144	Stopper	1
21	DG23-241-1	Door	1
22	DG22-3027	Handle	1
23	M160-056	Gasket	1
24	DG15-139	shelf	5
25	DG15-146	Shelf	1
26	DG22-386-B	Bottom grill	1
27	DG14-208-SR	Low right hinge	1
28	DG22-3057	Lower axis	1
29A	DG7-33-BH	Condenser fan	1
29B	DG17-145-2	Wire	1
30	DG13-6-15	Cabinet legs	4
31	DG12-78	Condenser	1
32	DG6-2	Transformer	1
33	DG22-410	Electrical box cover	1
34	DG22-409	Compressor bracket	1
-	DG14-205-SL	Top left hinge	1
--	DG14-208-SL	Low left hinge	1
---	DG22-3144-1	Stopper	1



室内风机 inner fan motor

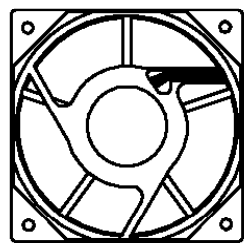
LED灯 LED light

变压器 Transformer



室内感温头 Sensor of inner compartment

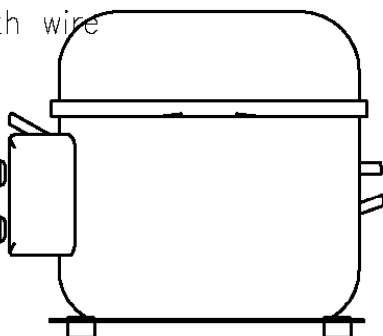
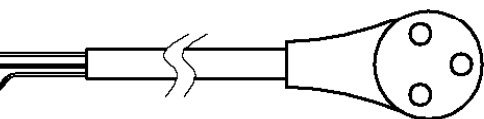
除霜感温头 Sensor of Anti-freezer



室外风机 outside fan motor

电源线 Power cord

接地环 Earth wire ring



压缩机 Compressor



WI154

Caple 15cm wine cabinet

8 7 6 5 4 3 2 1

D C B A



# WI154

Caple 15cm wine cabinet

