



WI151

Caple 150mm Slot-in Wine Cabinet



TECHNICAL INFORMATION



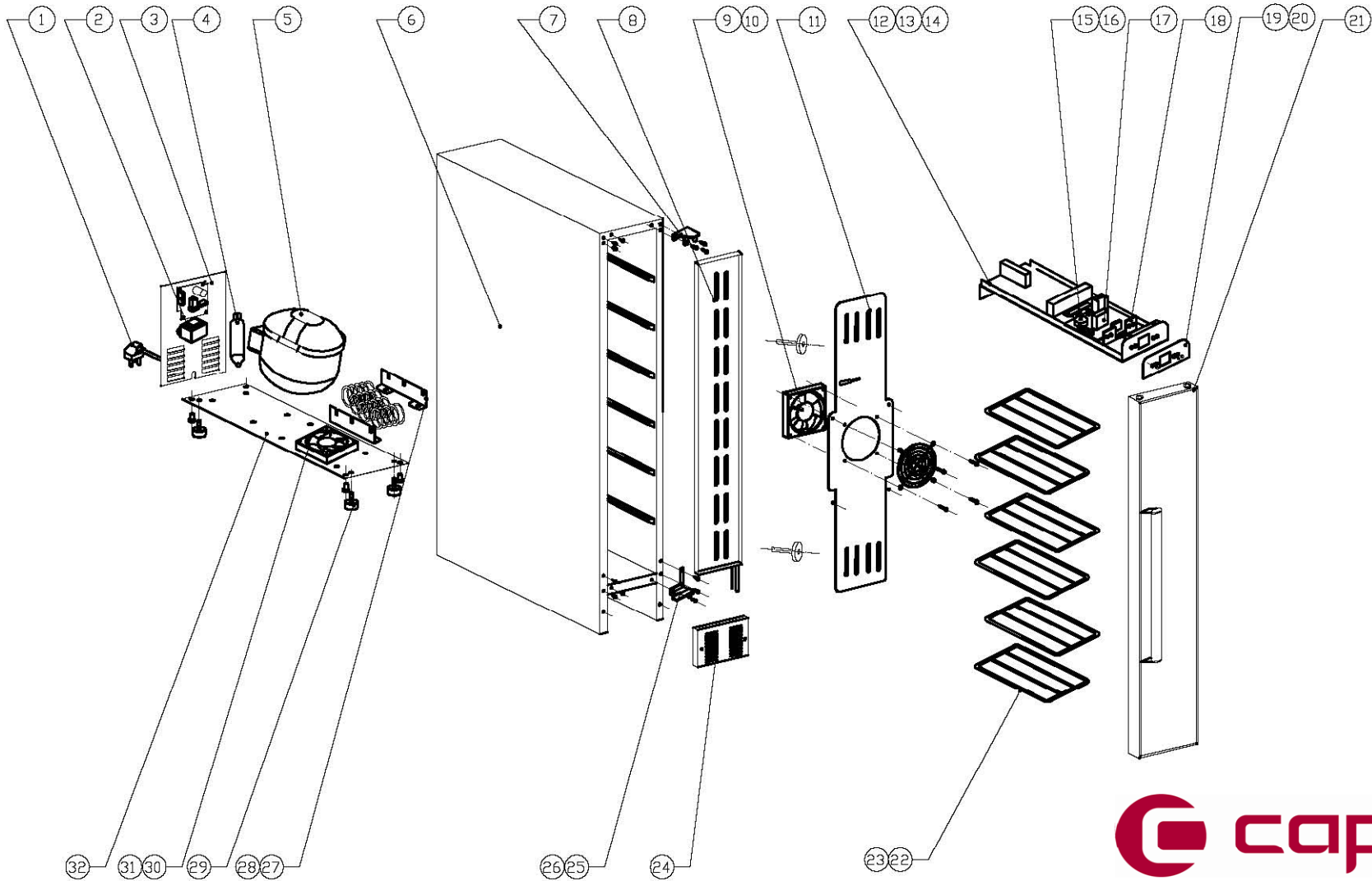
WI151 Caple 150mm Slot in wine cellar

Item	Part No .	Description	Qty
1	DG2-14	Power cord	1
2	DG6-2	Transformer	1
3	DG22-384	Electrical board box	1
4	DG11-4	Dry filter	1
5	DG1-51	Compressor	1
6	DG26-84	Cabinet	1
7	DG14-154-BR	Top hinge module	1
8	DG12-77	Evaporator	1
9	DG7-4	Evaporator fan(Upper)	1
10	DG19-2	Fan cover	1
11	DG22-397	Air duct board	1
12	DG22-396	Electrical box	1
13	DG8-7-W	Senser	1
14	DG8-7-R	Senser	1
15	DG3-41-W	LED light	1
16	DG13-127	LED Light Cover	1
17	DG3-42	PCB board	1
18	DG13-348	Button gasket	1
19	DG13-130	Button	4
20	DG20-169	Display panel	1
21	DG23-117	Cabinet door	1
22	DG15-139	Shelf	5
23	DG15-146	Shelf	1
24	DG22-386	Decorative frame	1



WI151 Caple 150mm Slot in wine cellar

Item	Part No .	Description	Qty
25	DG14-121-BR	Lower hinge module right	1
26	DG14-116	Lower hinge	1
27	DG13-347	Condenser supporter	2
28	DG12-78	Condenser	1
29	DG13-6.2	Cabinet leg, type BC50	4
30	DG7-26	Condenser fan	1
31	DG13-83	Fan cover	1
32	DG22-381	Compressor bracket	1
	Spare part :		
	DG14-154-BL	Top hinge module	1
	DG14-121-BL	Lower hinge module right	1
	DG13-324	Stopper	1



WI151

Caple 150mm Slot-in Wine Cellar

D
C
B
A

8 7 6 5 4 4 3 2 1