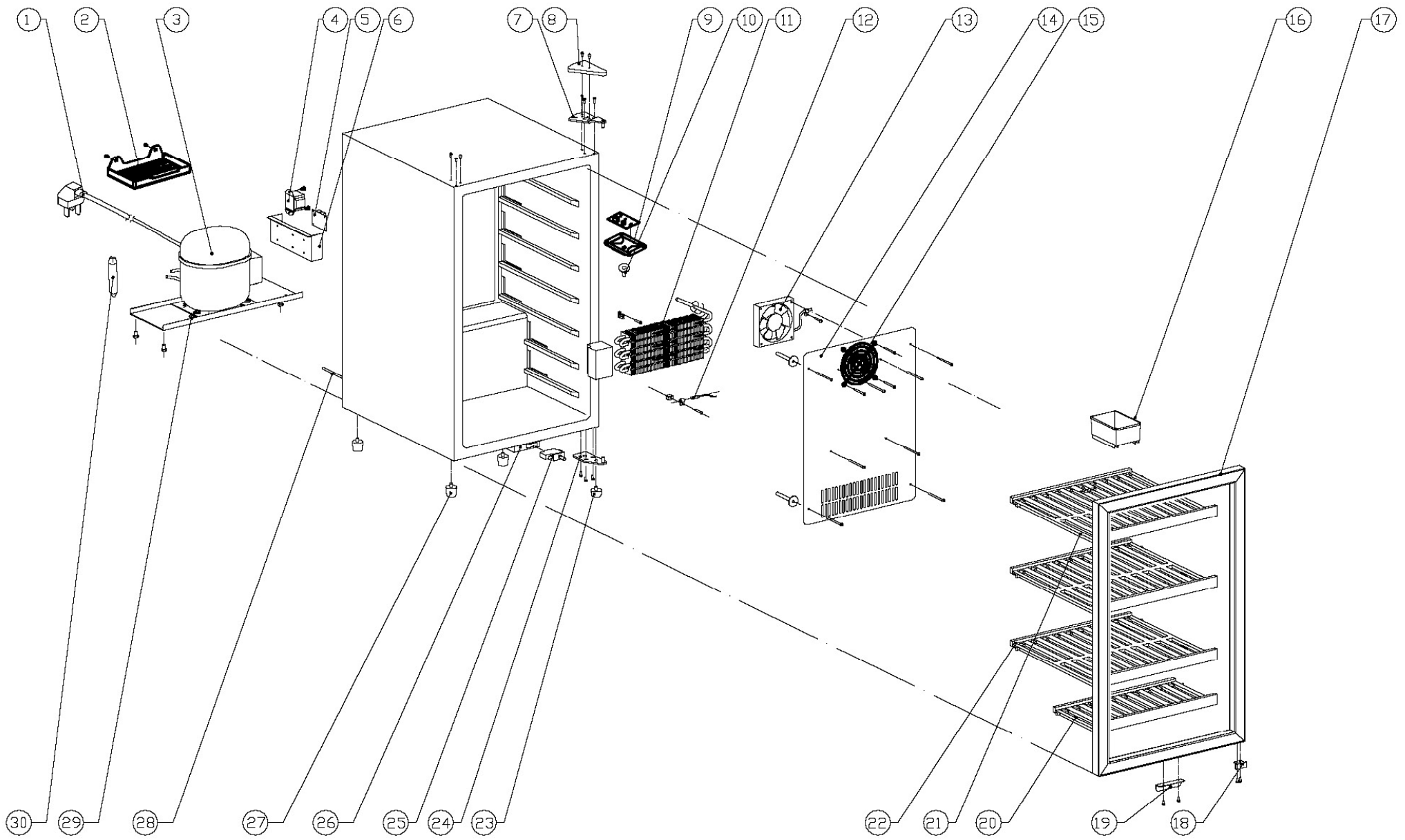




**WF333**

**Caple Freestanding Wine Cellar**

**Technical information**



**WF333**

Caple Freestanding Wine Cellar

8 7 6 5 4 4 3 3 2 1

D

C

B

A



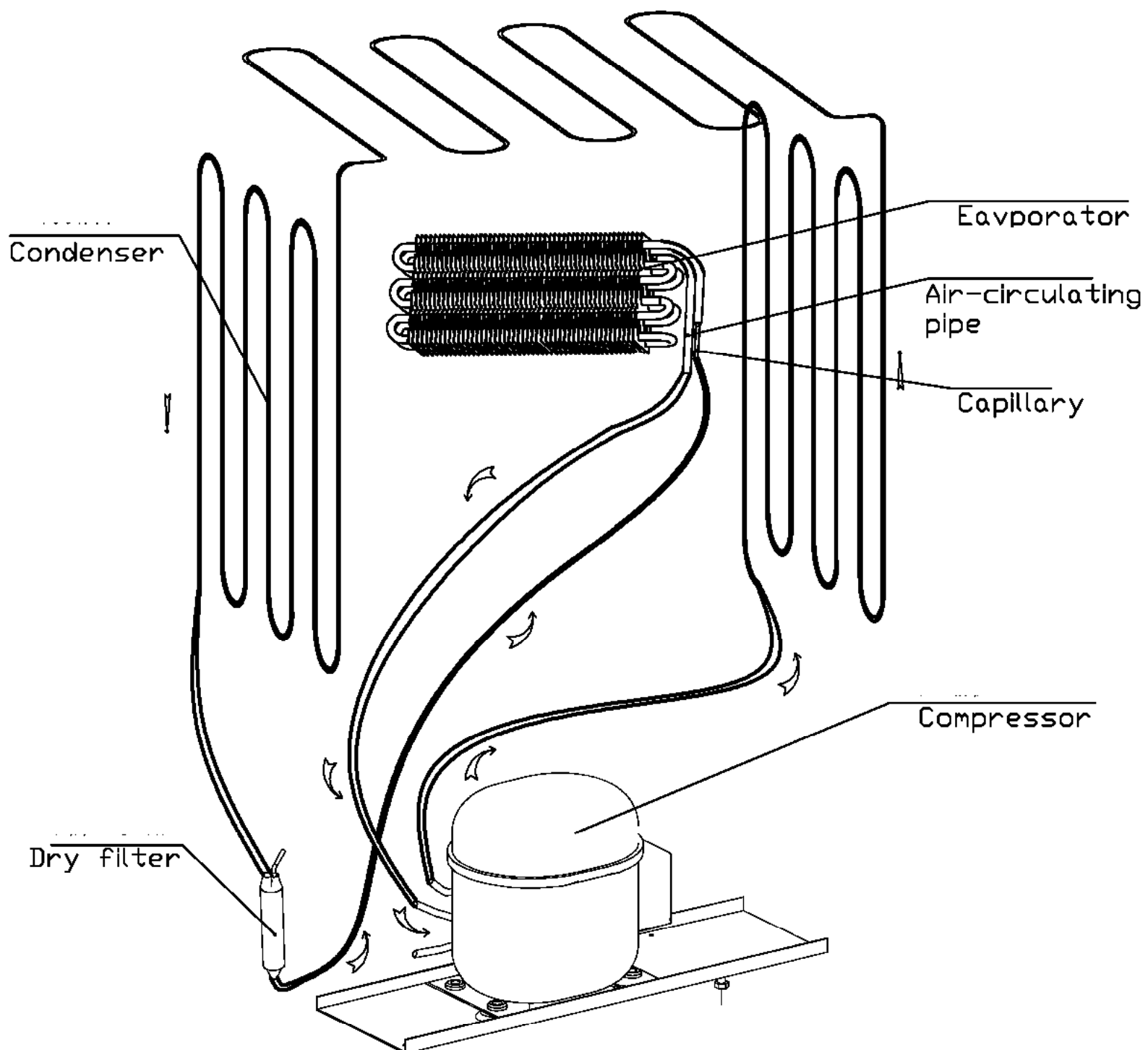
## WF333 - Caple Freestanding Wine Cellar

Item	Part Code	Description	Qty
1	DG2-14	Power cord	1
2	DG13-199	Water tank	1
3	DG1-77	Compressor	1
4	DG6-2	Transformer	1
5	DG3-102-4	PCB board	1
6	DG13-272-1	Decorative cover	1
7	DG14-1.2	Top hinge module	1
8	DG13-12	Top hinge module	1
9	DG13-27	Intensity of illumination	1
10	DG13-130-S	Keystoke	1
11	DG12-1	Evaporator	1
12	DG8-7-W	Senser	1
13	DG7-3.1-BH	Evaporator fan	1
14	DG22-132	Air duct board	1
15	DG19-1	Fan cover	1
16	DG13-1.1	Humid box	1
17	DG23-246	Door	1
18	DG13-215	Door stopper	1
19	DG14-180	Extrusion-board of lamp switch	1
20	DG15-37	wooden shelf C2	1
	DG15-44	Front bar	4
21	DG15-36	wooden shelf B2A	1
22	DG15-35	wooden shelves B2	2
23	DG13-6.2	Cabinet leg, type BC50	1
24	DG14-166	Lower hinge module	1
25	DG9-9	Door switch	1
26	DG14-26.1	Switch box of door lamp	1
27	DG13-6.1	Cabinet leg, type BC50N	3
28	DG12-140	Cupreous tube	1
29	DG22-89-1	Compressor bracket	1
30	DG11-4	Drier filter	1



# WF333

Cable Freestanding Wine Cellar



Wi6232 Wi6233  
Wi3123 Wi3123GM Wi3124  
Wi3150  
WF333  
Wi6140 Wi6141

