



WF332

Caple Freestanding Wine Cellar



TECHNICAL INFORMATION



New product information sheet

Product name: WF332

Description: Freestanding/slot-in wine cabinet

Product code: WF332

Features:

Single temperature zone for red or white wine

No frost compressor cooling system

Top and side heat dispersion

(allow 80mm ventilation space at sides and top)

Quiet operation 42dB

100% CFC/HFC free

Mechanical temperature control

Interior light

Reversible door

1 humidity control water tank

3 full sliding shelves and 1 half sliding shelf

Beech shelves

Toughened UV protected glass door

Black cabinet interior and exterior

Both zones temperature range 5C-18C

136 litre total gross capacity

Max. 33 wine bottles 750ml (*6 bottles on top shelf, 9 bottles double stacked on lower 3 shelves*)

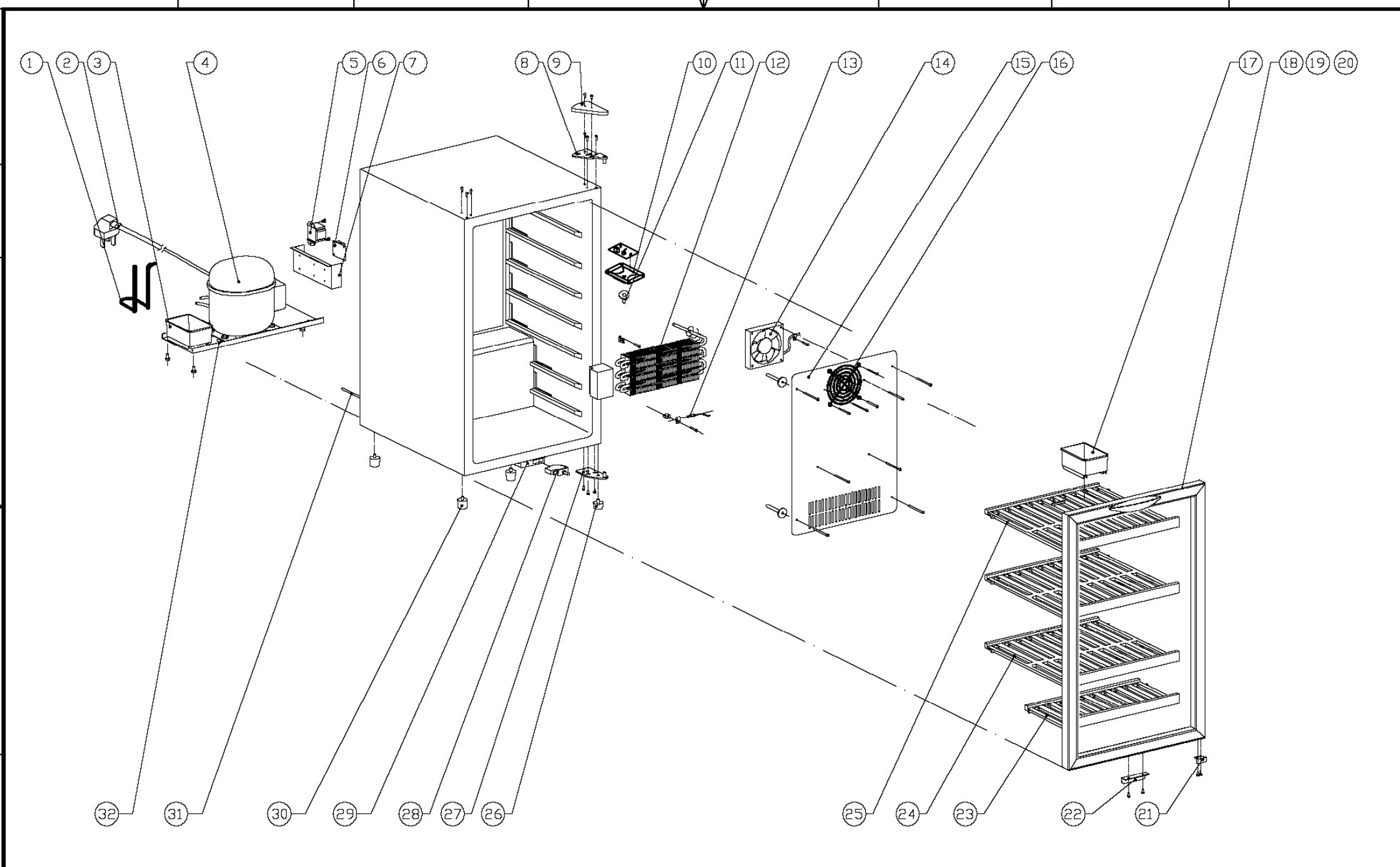


Dimensions

Width 493mm

Depth 585mm

Height 840mm




WF332
 Caple Freestanding
 Wine Cellar

8 7 6 5 4 3 2 1



WF332 Parts List

Item	Part No.	Description	Qty
1	DG12-21	Binding mechanism	1
2	DG2-14	Power cord	1
3	DG13-1	Water tank	1
4	DG1-35	Compressor	1
5	DG6-2	Transformer	1
6	DG3-102	PCB board	1
7	DG13-272-1	Decorative cover	1
8	DG14-1.2	Top hinge module	1
9	DG13-12	Top hinge module	1
10	DG13-27	Intensity of illumination	1
11	DG13-130	Keystroke	1
12	DG12-1	Evaporator	1
13	DG8-7-W	Senser	1
14	DG7-3.1-BH	Evaporator fan	1
15	DG22-54	Air duct board	1
16	DG19-1	Fan cover	1
17	DG13-1.1	Humid box	1
18	DG23-6.1	Door	1
19	M184-008	Gasket	1
20	DG14-23	Handle	1
21	DG13-215	Door stopper	1
22	DG14-3	Extrusion-board of lamp switch	1
23	DG15-37	wooden shelf C2	1
24	DG15-35	wooden shelves B2	2
25	DG15-36	wooden shelf B2A	1
26	DG13-6.2	Cabinet leg, type BC50	1
27	DG14-166	Lower hinge module	1
28	DG9-9	Door switch	1
29	DG14-26.1	Switch box of door lamp	1
30	DG13-6.1	Cabinet leg, type BC50N	3
31	DG12-6.1	Cupreous tube	1
32	DG22-89-1	Compressor bracket	1