



WF1549

Caple free standing wine cabinet

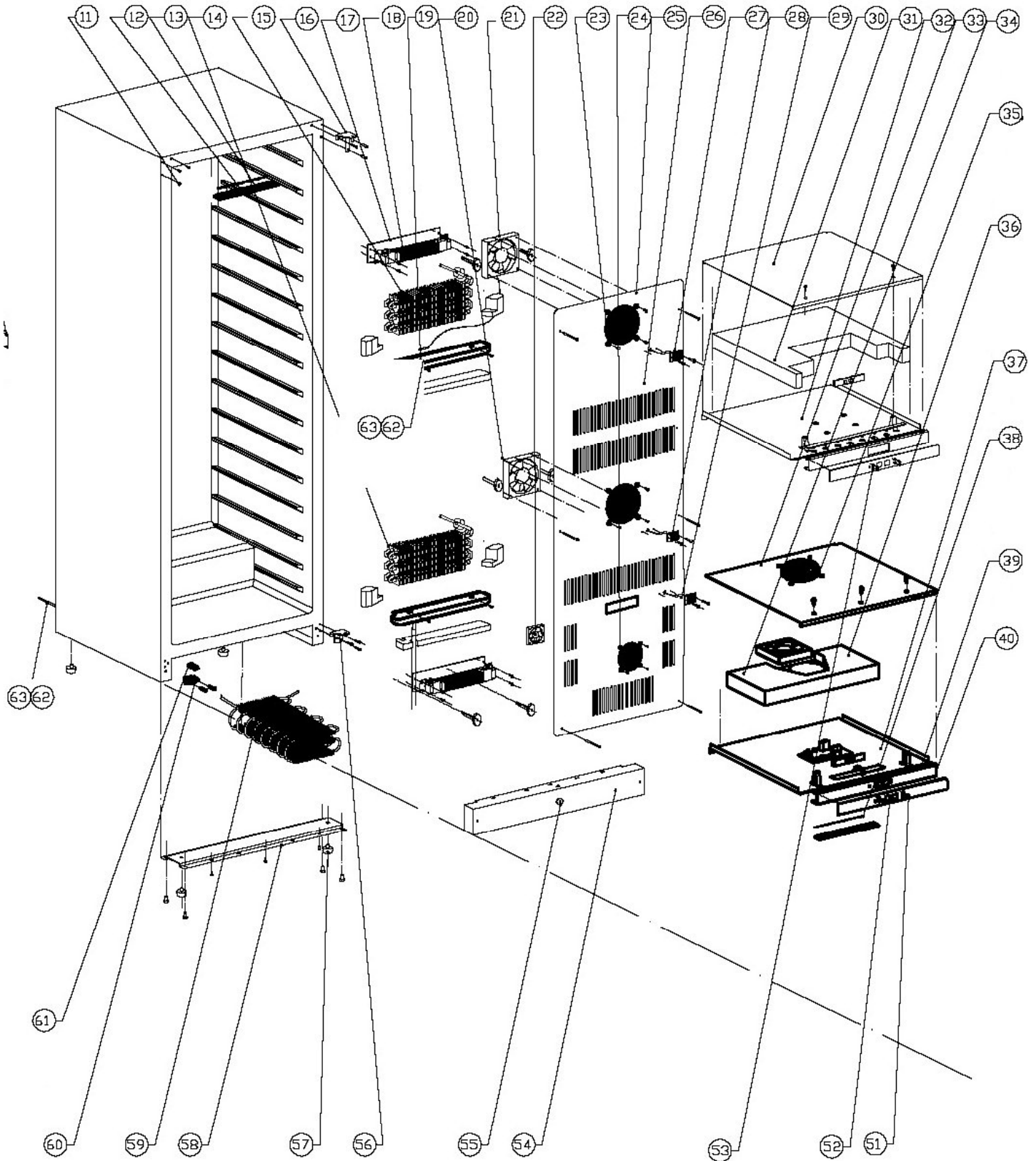


Technical information



WF1549

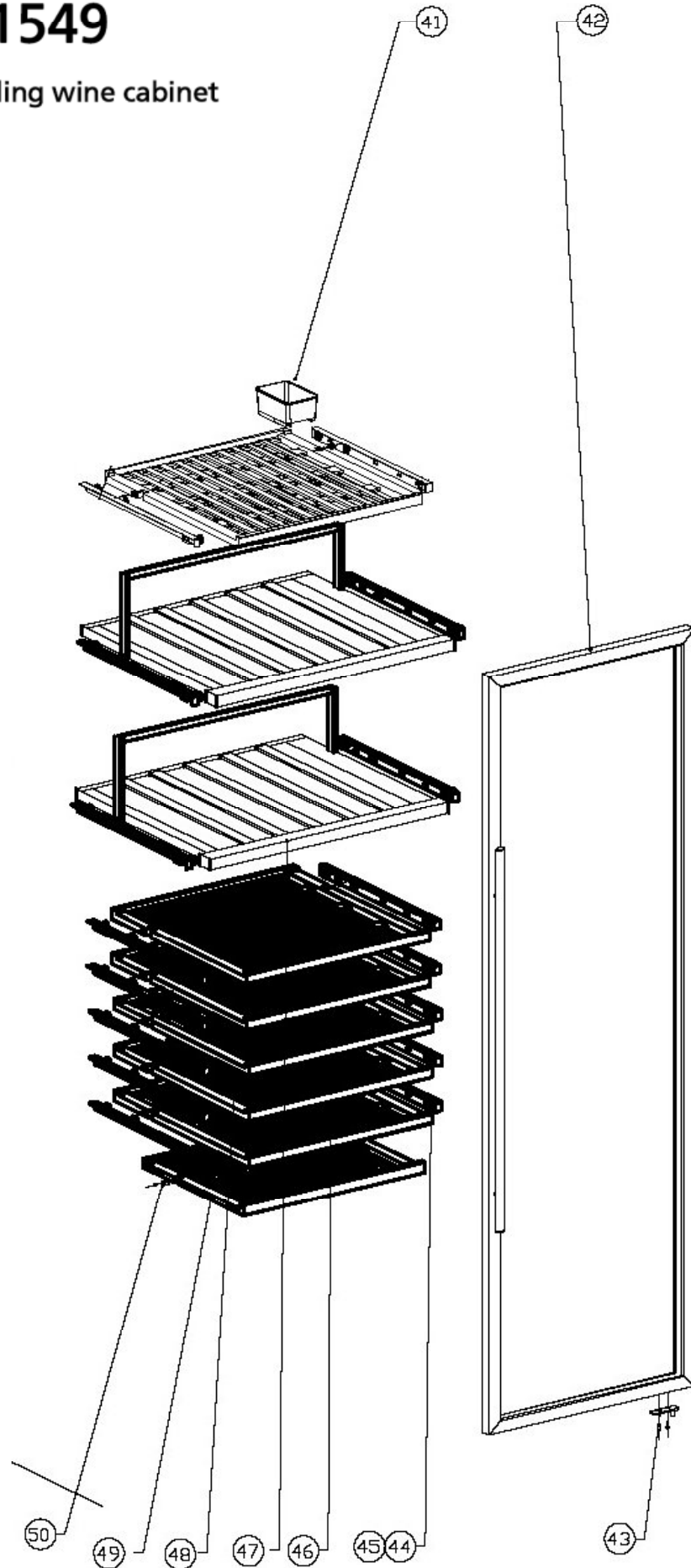
Cape free standing wine cabinet





WF1549

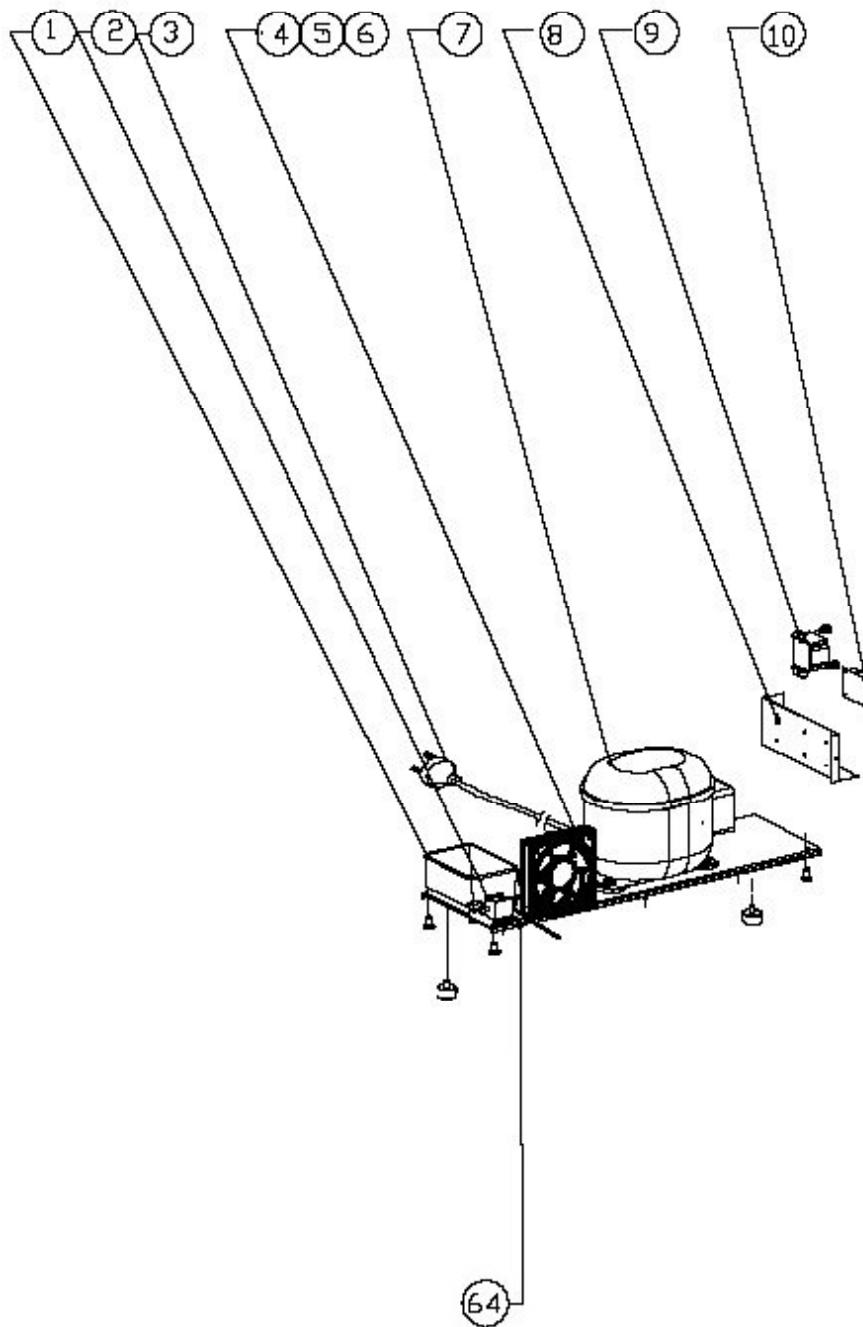
Caple free standing wine cabinet





WF1549

Cable free standing wine cabinet





WF1549 - Cable free standing wine cabinet

Item	Part Code	Description	Qty
1	DG13-1	Water tank	1
2	DG12-37.1	Refrigerant valve	1
3	DG2-14	Power cord	1
4A	DG7-47	Condenser fan	1
4B	DG17-145-2	Wire	1
5	DG19-3	Fan cover	1
6	DG14-56	Fan bracket	2
7	DG1-97	Compressor	1
8	DG22-302	Electrical box cover	1
9	DG3-94-5	PCB board	1
10	DG6-19	Transformer	1
11	DG13-8	Decorative nail	3
12	DG3-14-W	LED light	1
13	DG13-129	LED Light Cover	1
14	DG12-183	Evaporator	1
15	DG12-183	Evaporator	1
16	DG14-1-BR	Top right hinge	1
17	DG11-1	Heater	2
18	DG14-24	heat insulation panel	2
19	DG13-10	Water box	2
20A	DG7-47	Fan	1
20B	DG17-143	Wire	1
21A	DG7-47	Fan	1
21B	DG17-144-1	Wire	1
22	DG19-6	Fan cover	2
23A	DG7-41-BH	Fan	1
23B	DG17-144-1	Wire	1
24	DG19-2	Fan cover	1
25	DG13-3162	Air duct board A	1
26	DG13-193	Air duct board support	2
27	DG8-20	Senser	1
28	DG8-21	Senser	1
29	DG8-26	Senser	1
30	DG22-234	Air duct board B	1
31	DG18-60	Foam	1
32	DG22-233	Air duct board C	1
33	DG22-348	Air duct board D	1
34	DG18-1043	Foam	1
35	DG22-233	Air duct board E	1
36A	DG7-47	Fan	1
36B	D17-145-1	Wire	1
37	DG19-6	Fan cover	1
38	DG3-18-W	LED light	2
39	DG13-32-1	Display support	2



WF1549 - Caple free standing wine cabinet

Item	Part Code	Description	Qty
40	DG13-194	Display board box	2
41	DG13-1.1	Humid box	3
42	DG23-321	Door	1
	DG22-3027	Handle	1
43	DG14-169-BR	Axis	1
44	DG22-3188-R	Track Right	8
45	DG22-3188-L	Track Left	8
46	DG15-195-C	Wooden shelf	6
47	DG15-156-1	Presentation wooden shelf	2
48	DG13-274	Wooden shelf sliding plate	16
49	DG15-196-C	Wooden shelf D3	1
50	DG13-7	Shelf stopper	18
51	DG13-130-B	Button	6
52	DG20-281	Control panel	1
53	DG20-281-1	Control panel	1
54	DG22-3107-B	Bottom grill	1
55	DG14-105	Lock	1
56	DG14-211-BR	Lower right hinge	1
57	DG13-6-16	Cabinet leg	4
58	DG22-240	Support bracket of front legs	1
59	DG12-91-1	Condenser	1
60	DG14-211-BL	Lower left hinge	1
61	DG13-366-B	Door support	1
62	DG12-110-1	Air-circulating pipe (Lower)	1
63	DG12-110	Air-circulating pipe (UPPER)	1
64	DG22-239	Compressor bracket	1

M184-032

Gasket



WF1549

Cable free standing wine cabinet

