



WF1541

Caple Wine cellar

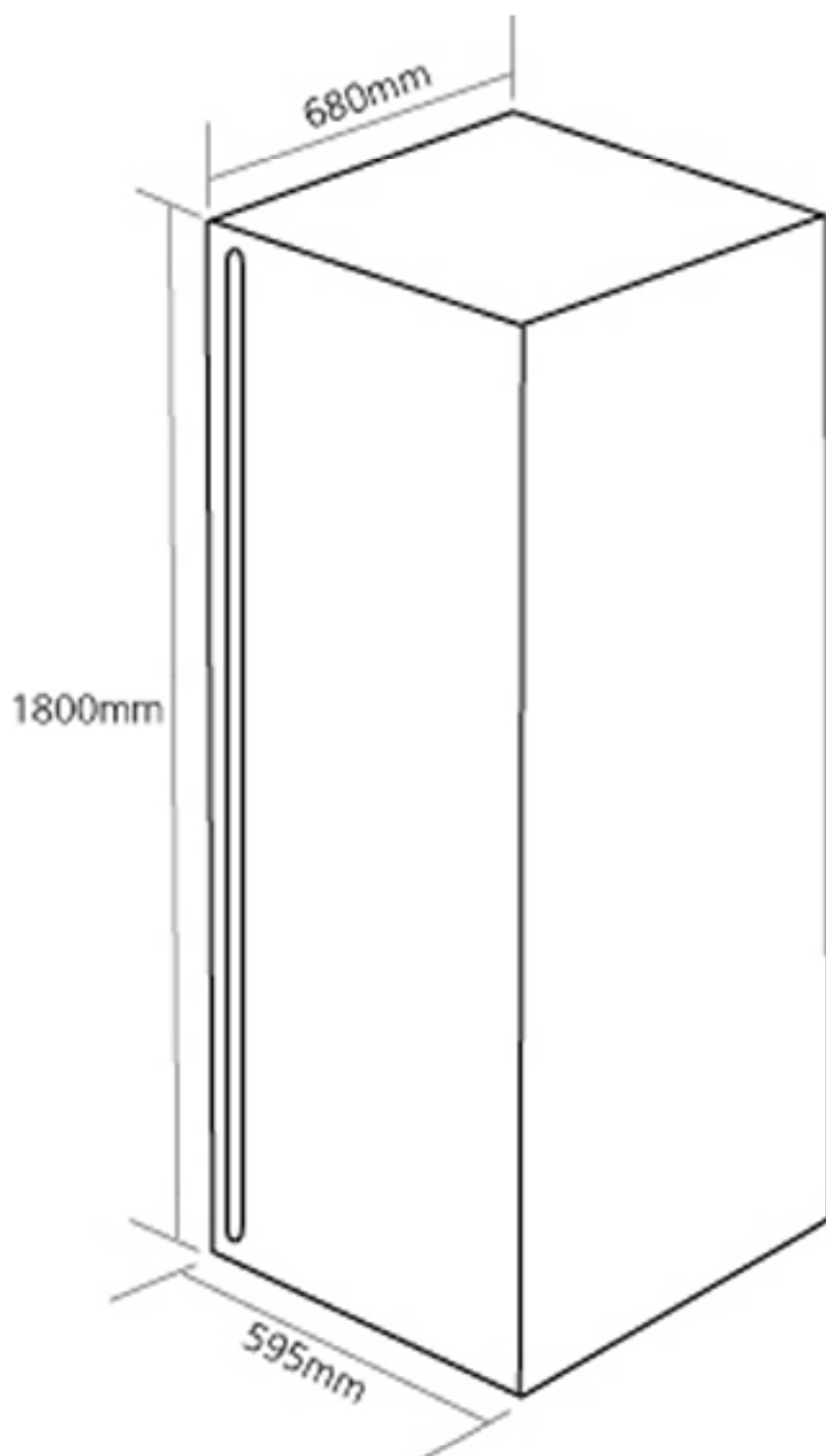


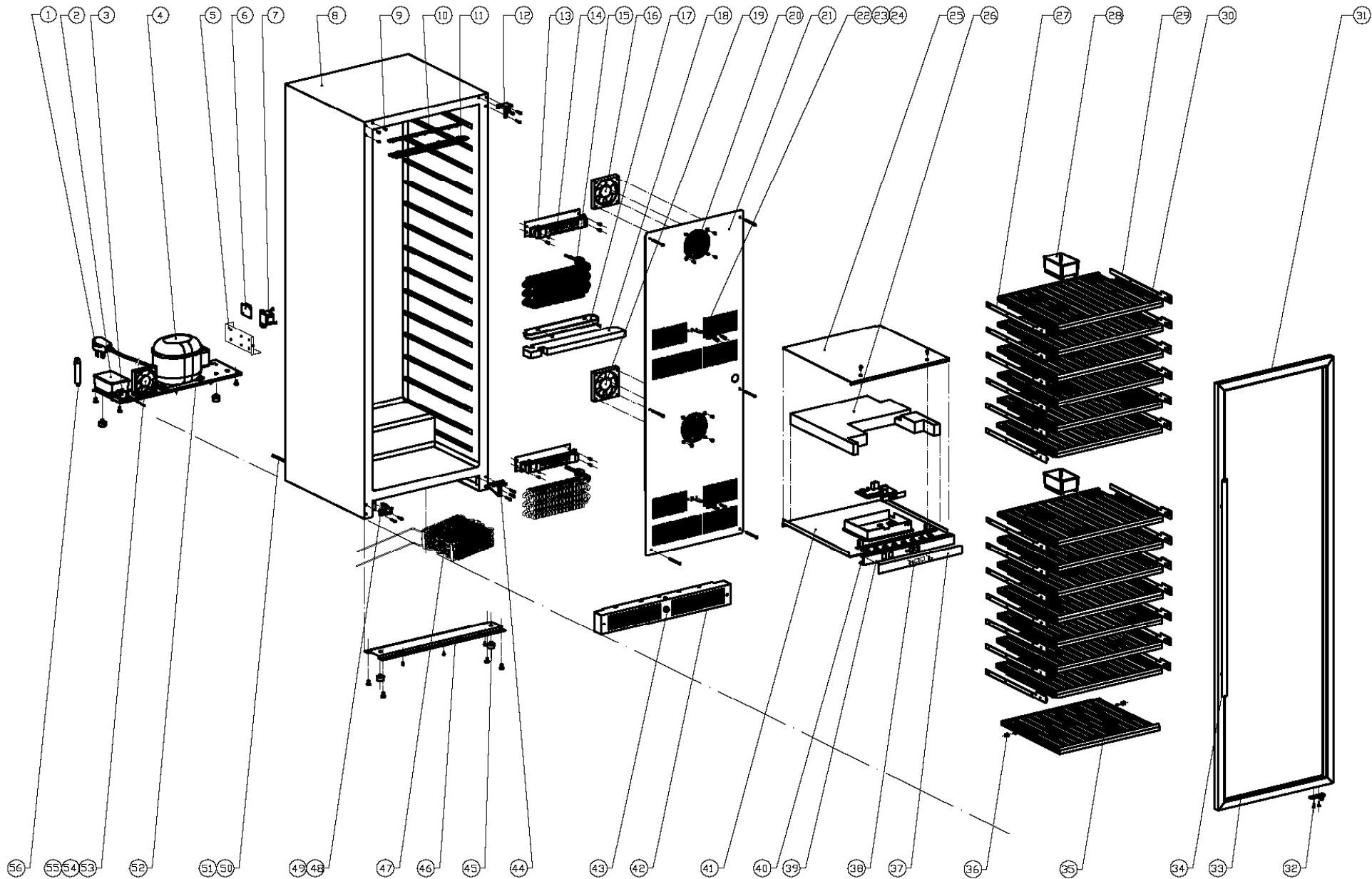
Technical information



WF1541

Caple Wine cellar





WF1541

Caple Wine cellar

8 7 6 5 4 4 3 3 2 1

D
C
B
A



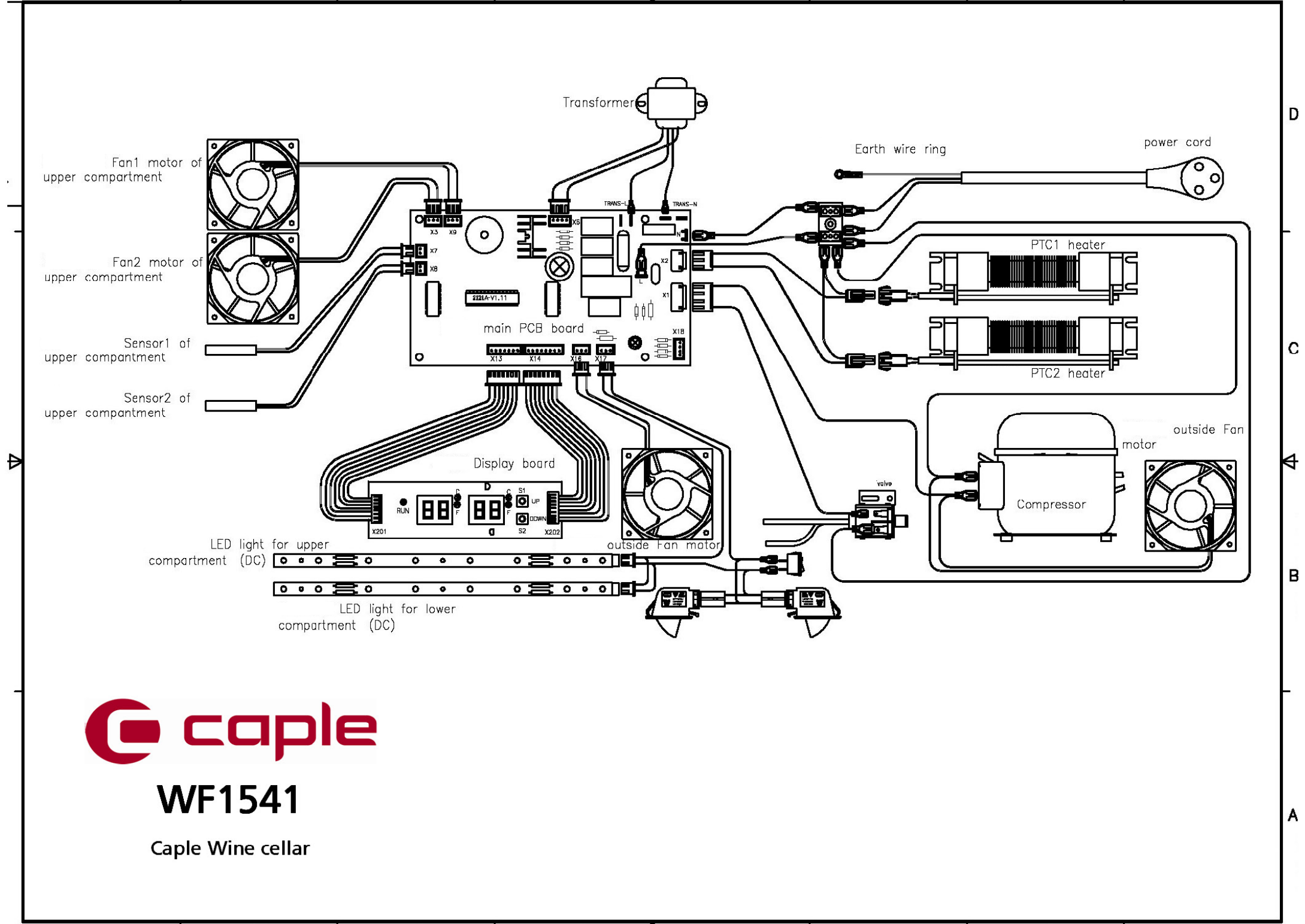
WF1541 - Caple wine cellar

Item	Part Code	Description	Qty
1	DG2-14	Power cord	1
2	DG13-1	Water tank	1
3	DG12-37.1	Refrigerrant valve	1
4	DG1-61	Compressor	1
5	DG22-302	Electrical box cover	1
6	DG6-19	Transformer	1
7	DG3-77.2	PCB board	
8	DG26-94	Cabinet	1
9	DG13-8	Decorative nail	3
10	DG3-13-W	LED light	1
11	DG13-129	LED Light Cover	1
12	DG14-1-SR	Top hinge module	1
13	DG14-24	heat insulation panel	2
14	DG11-1	Heater	2
15	DG12-50	Evaporator	2
16	DG7-21-BH	Evaporator fan(Upper)	1
17	DG13-10	Water box	1
18	DG18-59	Foam	1
19	DG7-20-BH	Evaporator fan(Lower)	1
20	DG19-6	Fan cover	2
21	DG22-283	Air duct board A	1
22	DG8-21-1	Senser	1
23	DG13-198	Senser cover	2
24	DG8-21	Senser	1
25	DG22-234	Upper panel for middle airway-board	1
26	DG18-60	Foam	1
27	DG13-253-L	track left	13
28	DG13-1.1	Humid box	2
29	DG13-253-R	track right	13
30	DG15-155	Wooden shelves E1	13
31	DG23-65-1	Cabinet door	1
32	DG14-169-BR	Lower hinge	1
33	M160-017	Gasket	1
34	DG14-107	cylinder knob	1
35	DG15-1002.2	Wooden shelves WE-2	1
36	DG13-7	Shelf support	28
37	GB20-89	Display panel	1
38	DG13-130-S	Button	4
39	DG13-194	Display sopport	1
40	DG3-18-W	LED light	1



WF1541 - Caple wine cellar

Item	Part Code	Description	Qty
41	DG22-233	Lower panel middle airway-board	1
42	DG13-1017	Decorative frame	1
43	DG14-105	Lock Assembly	1
44	DG14-170-BR	Lower hinge module right	1
45	DG13-6.1	Cabinet leg, type BC50	4
46	DG22-240	Support bracket of front legs	1
47	DG12-91-1	Condenser	1
48	DG14-164-BL	Anti-drop left hinge	1
49	DG13-366-B	Door supporter	1
50	DG12-110-1	Air-circulating pipe (Upper)	1
51	DG12-111	Air-circulating pipe (Lower)	1
52	DG22-254	Compressor bracket	1
53	DG7-22-H	Condenser fan	1
54	DG19-3	Fan cover	1
55	DG14-56	Fan bracket	2
56	DG11-4.1	Dry filter	1



Fan1 motor of upper compartment

Fan2 motor of upper compartment

Sensor1 of upper compartment

Sensor2 of upper compartment

LED light for upper compartment (DC)

LED light for lower compartment (DC)

Transformer

Earth wire ring

power cord

main PCB board

PTC1 heater

PTC2 heater

Display board

outside Fan motor

outside Fan motor

Compressor



WF1541

Caple Wine cellar

8 7 6 5 4 3 2 1

D

C

B

A